

FOR TENDER PURPOSE ONLY

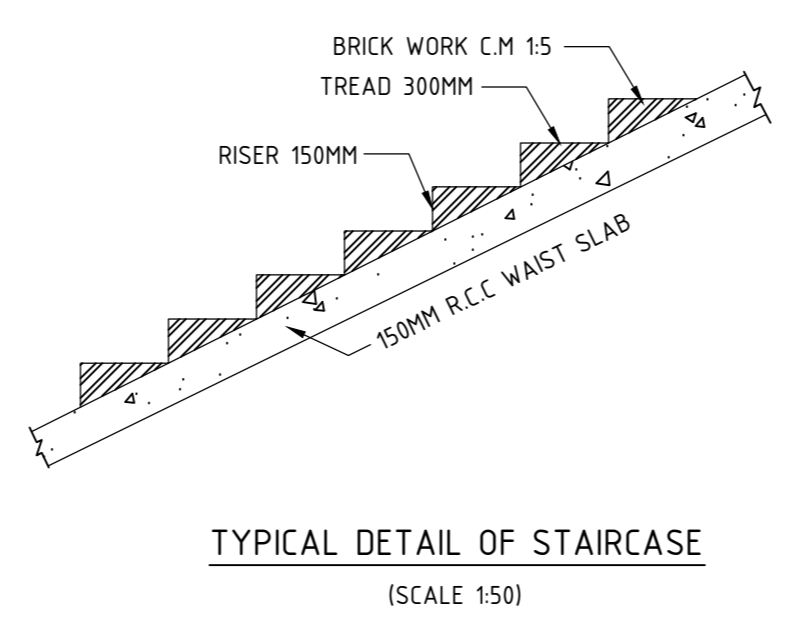
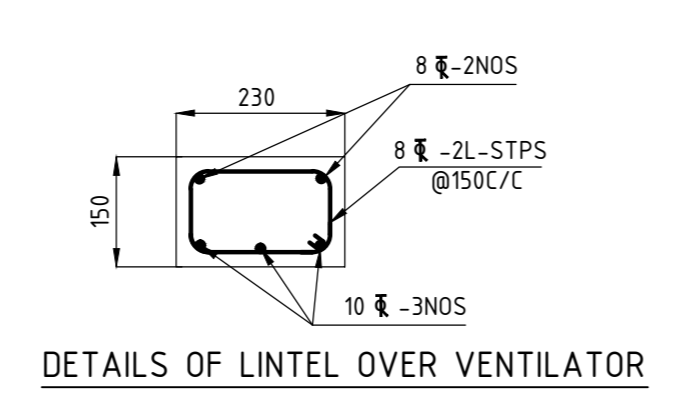
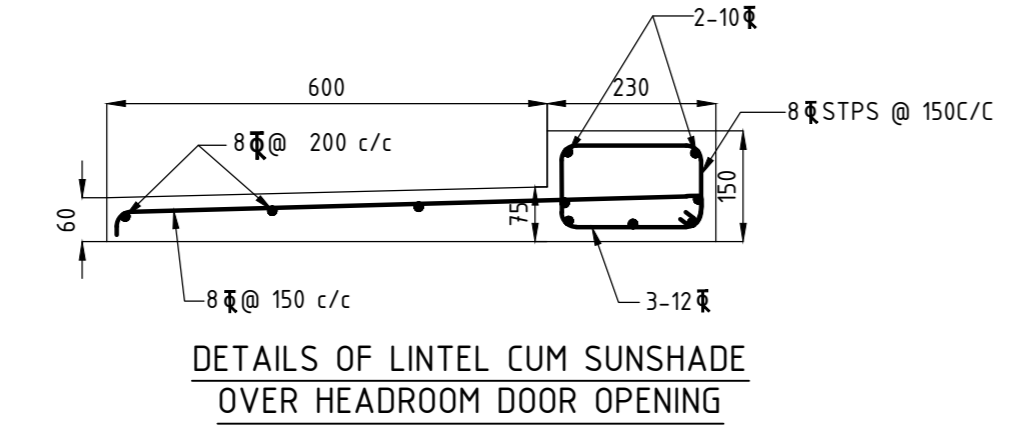
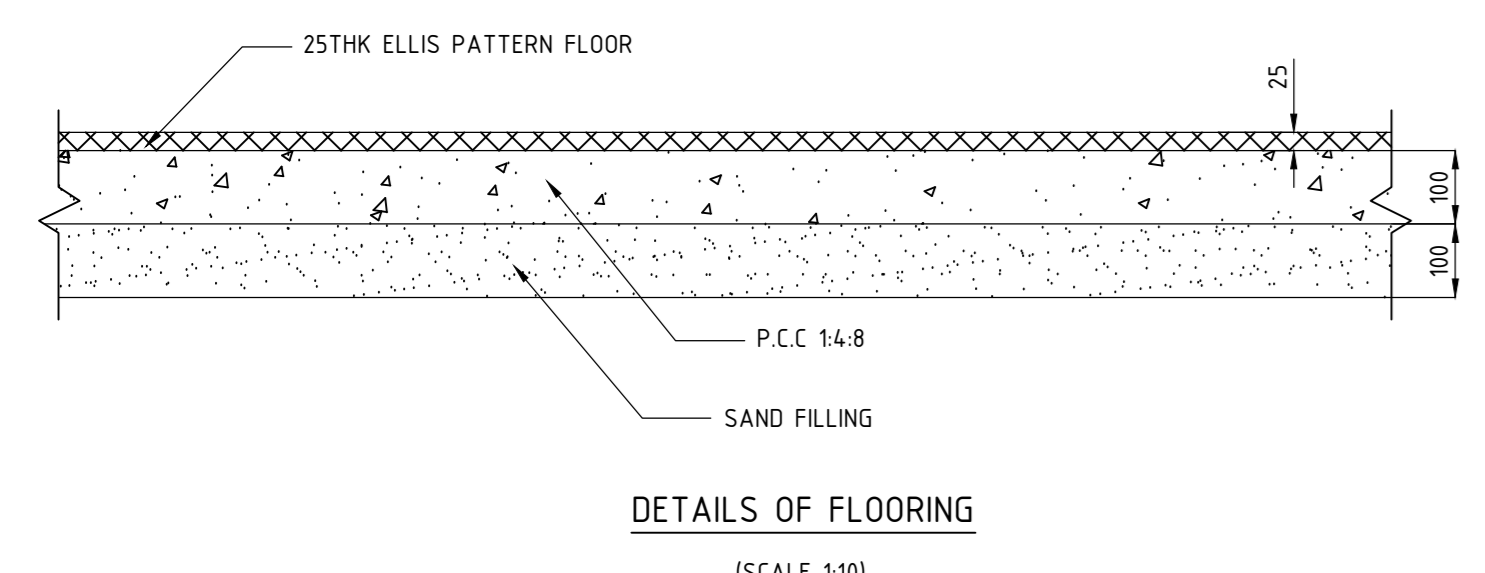
- NOTES:
- 1) ALL DIMENSIONS ARE IN MM & LEVELS ARE IN M.
 - 2) DO NOT SCALE THE DRAWING FOLLOW WRITTEN DIMENSION ONLY.
 - 3) CONCRETE GRADE M20.
 - 4) FOUNDATION IS DESIGNED FOR G+2 STOREYS ONLY.
 - 5) FOR RCC DETAILS, REF. DRG.ND-TP-CEG-01773.
- LEGEND:-
- D1 - COUNTRY WOOD PANNELED DOOR 1200 X 2100.
 - D2 - PVC PANNELED DOOR 900 X 2100.
 - D3 - PVC PANNELED DOOR 750 X 2100.
 - D4 - COUNTRY WOOD PANNELED DOOR 1000 X 2100.
 - M - GLAZED ALUMINIUM SLIDING WINDOW WITH ALUMINIUM GRILL - 1200 X 1200.
 - V - GLAZED ALUMINIUM LOUVERED VENTILATOR - 600 X 600.
 - EF - EXHAUST FAN DIA 600MM.
 - INC - INDIAN WATER CLOSET.
 - EW - EUROPEAN WATER CLOSET.
 - WT - PRECAST REC WASH TROUGH.
 - WB - WASH BASIN.
 - BB - BLACK BOARD.
 - J - R.C.C. JALLY - 1000 X 1000.
 - RWP - RAIN WATER PIPE.

GROUND FLOOR:-

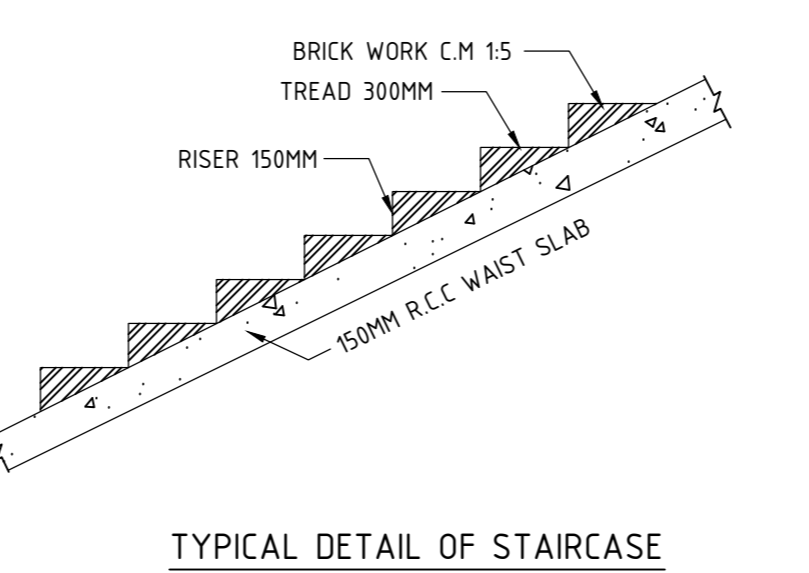
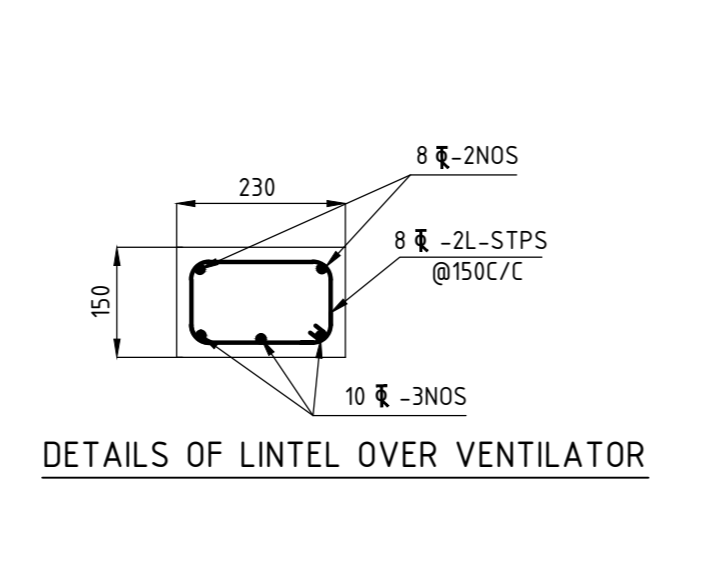
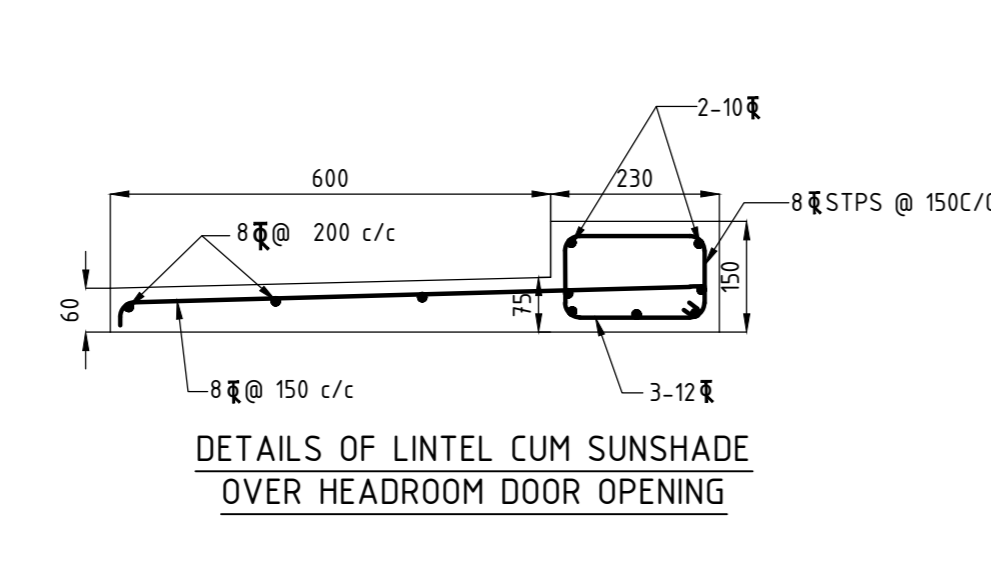
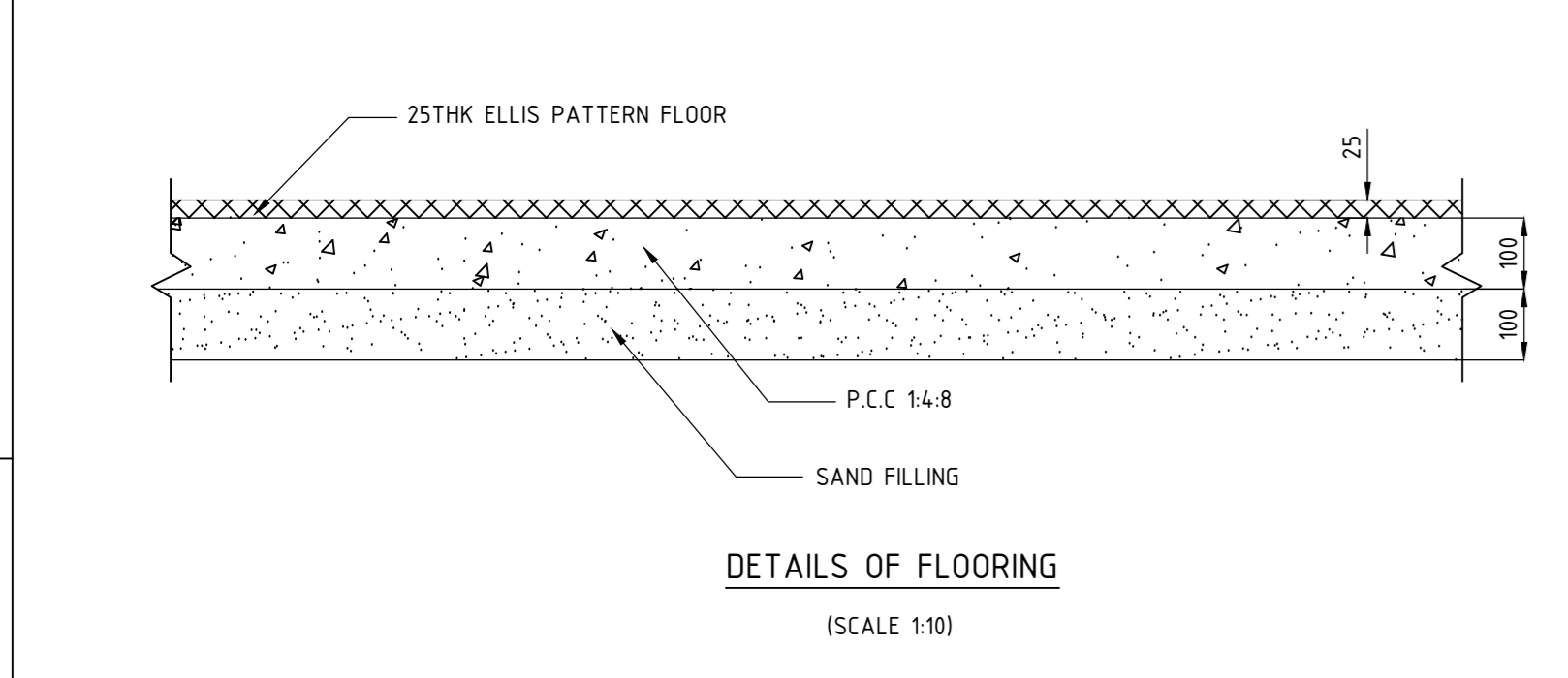
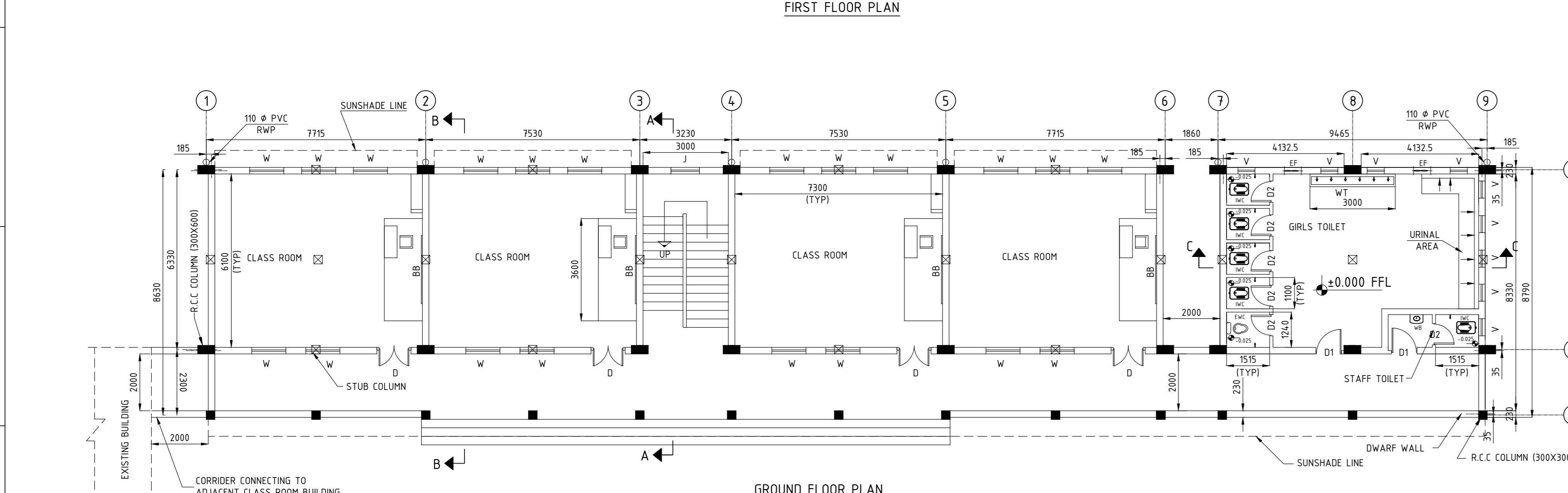
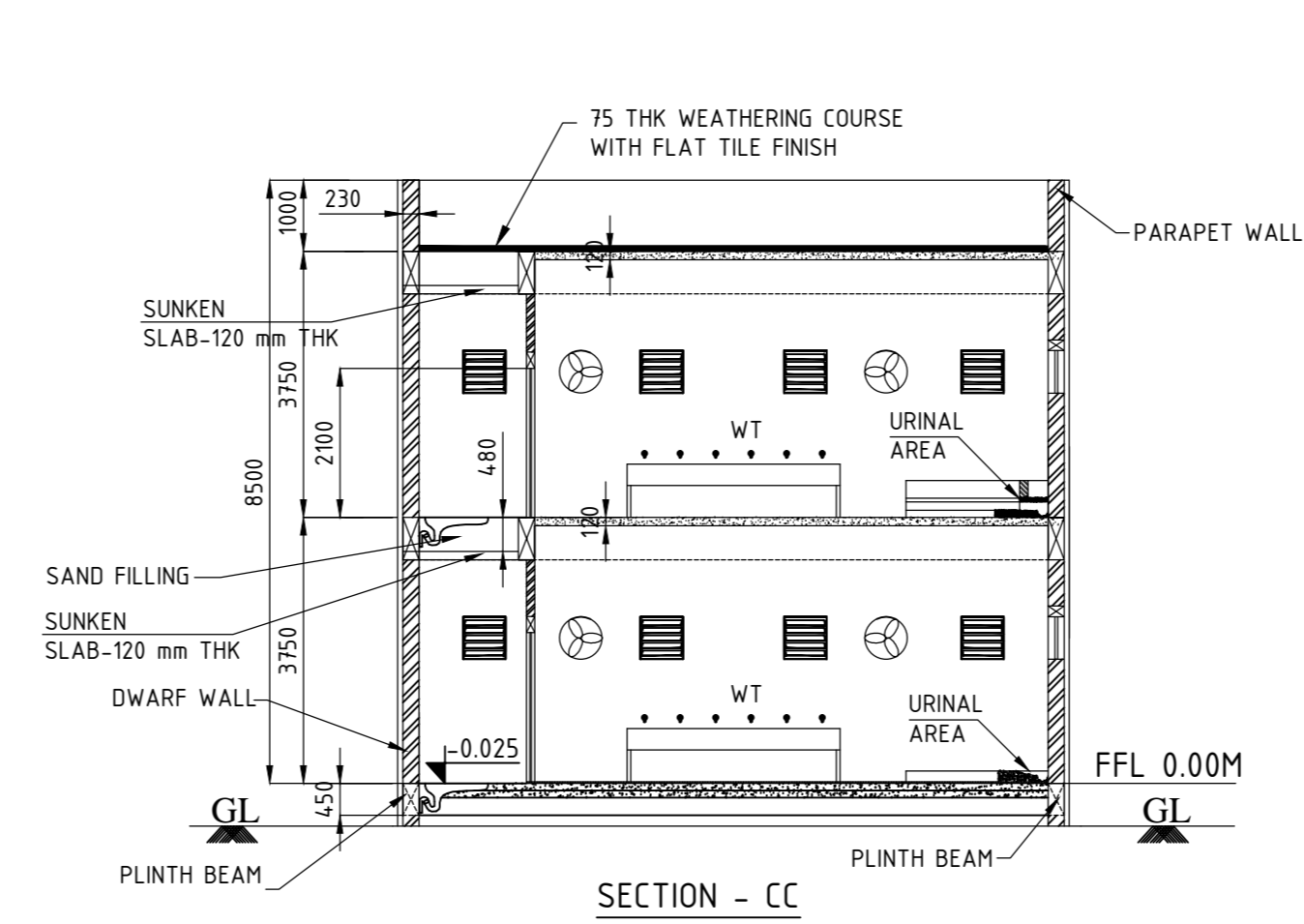
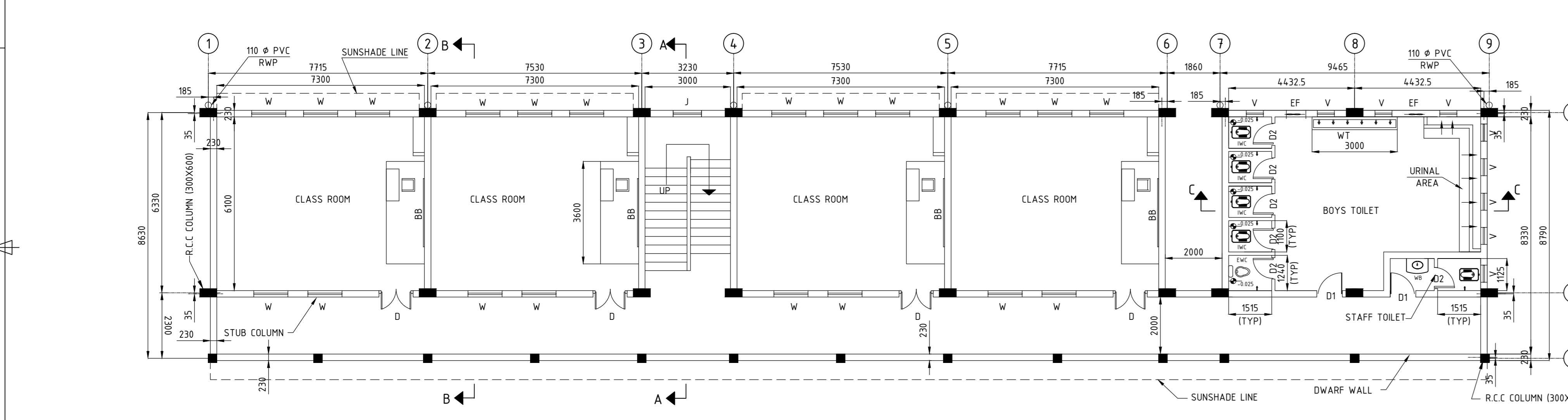
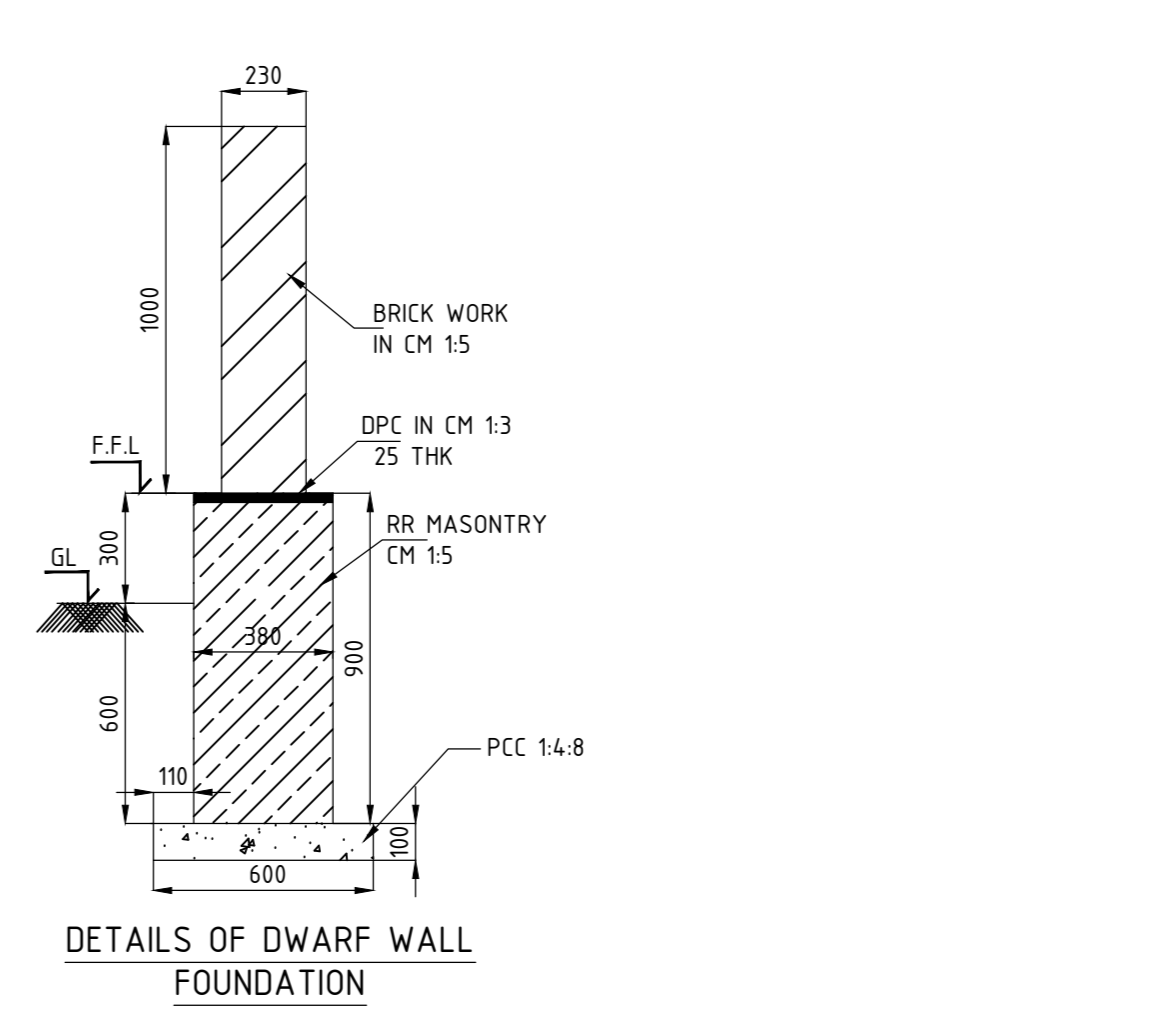
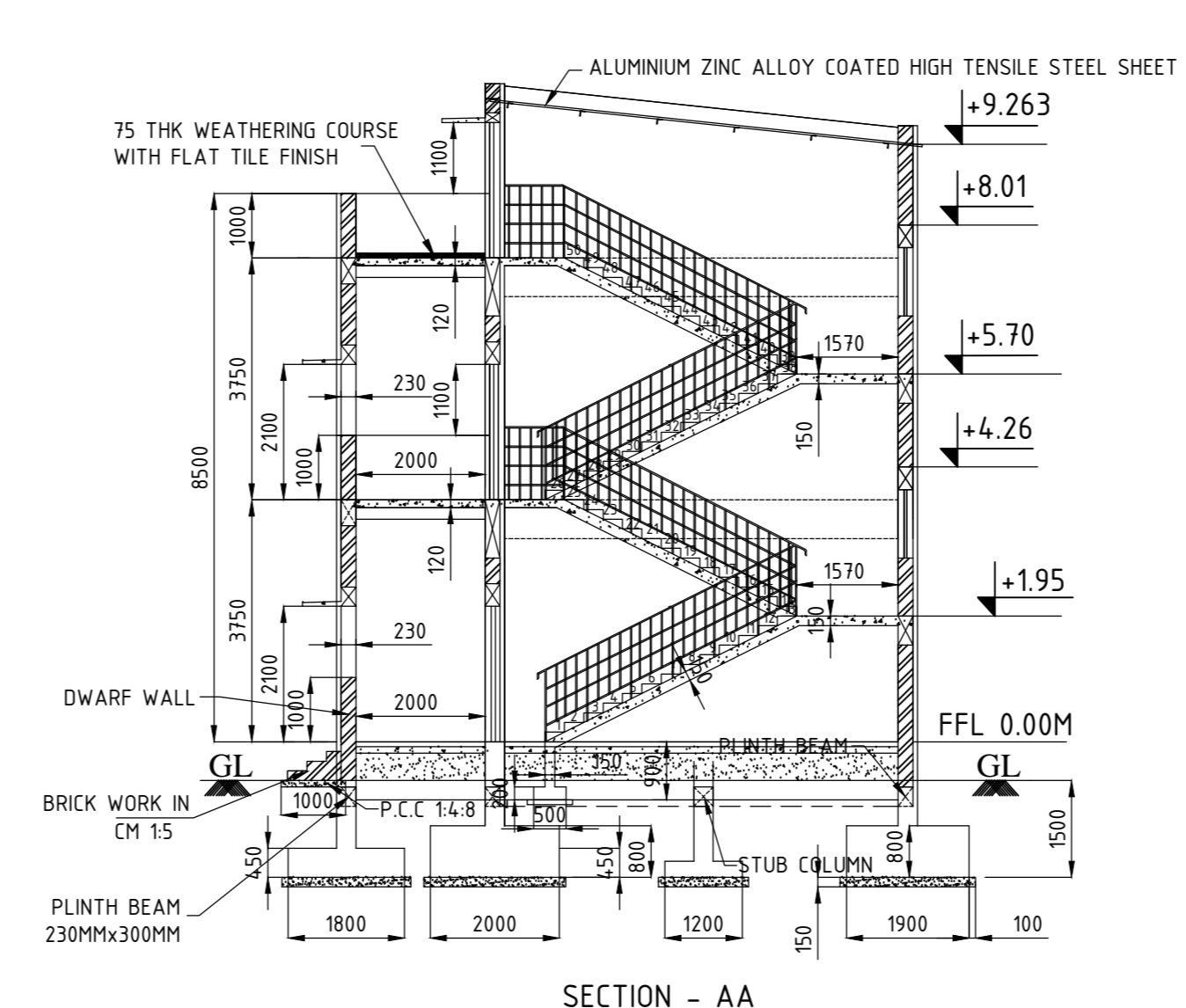
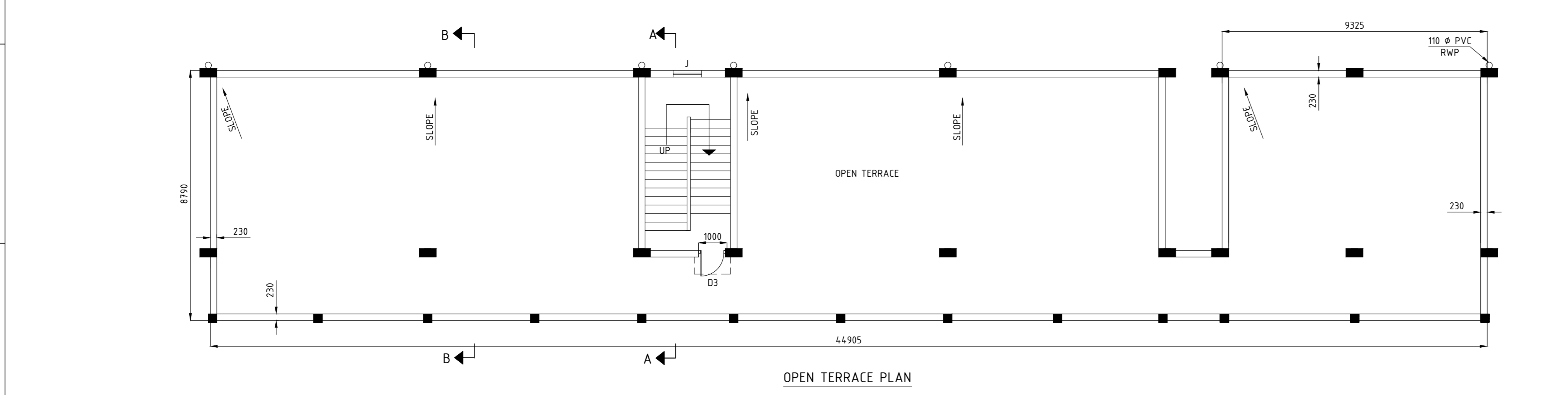
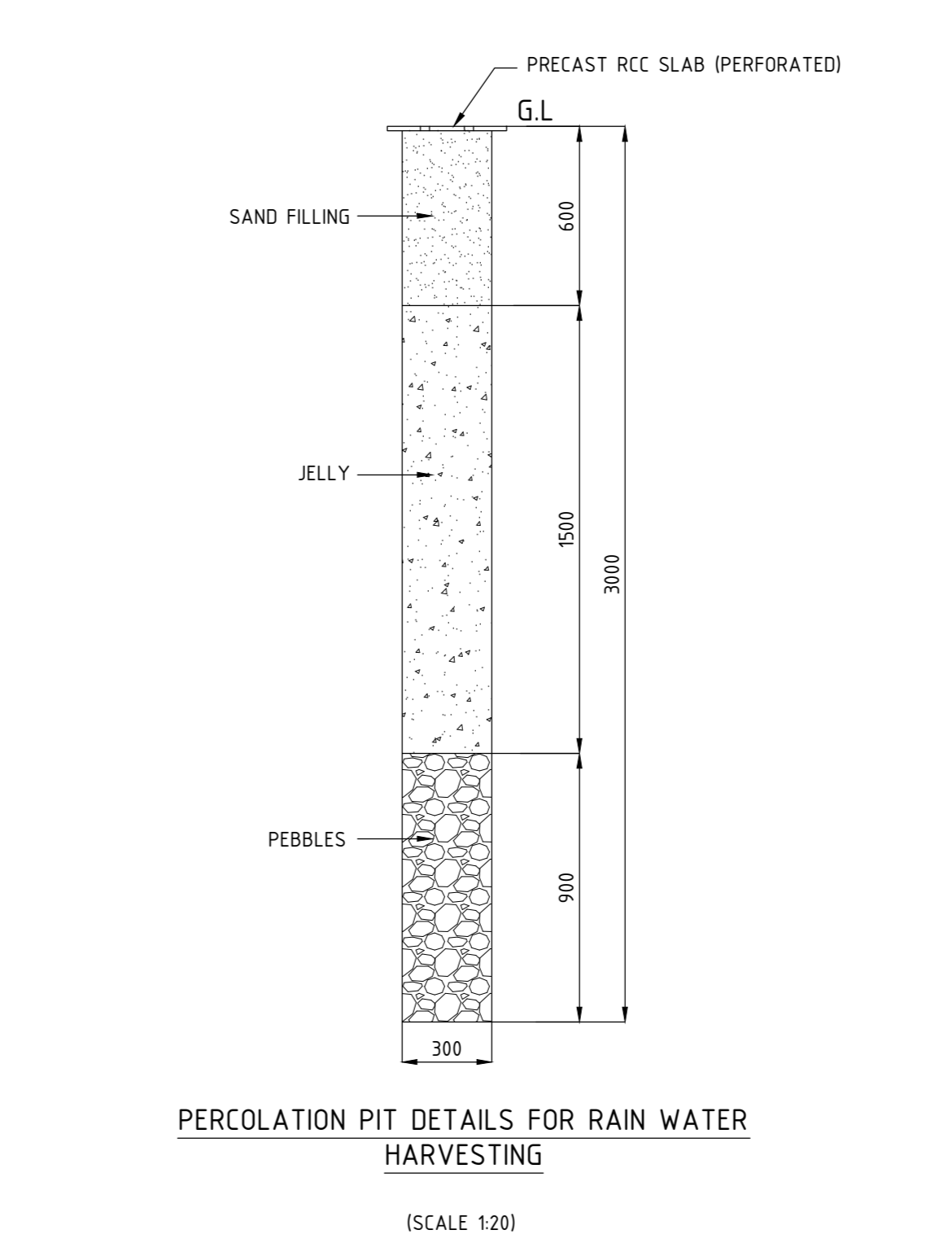
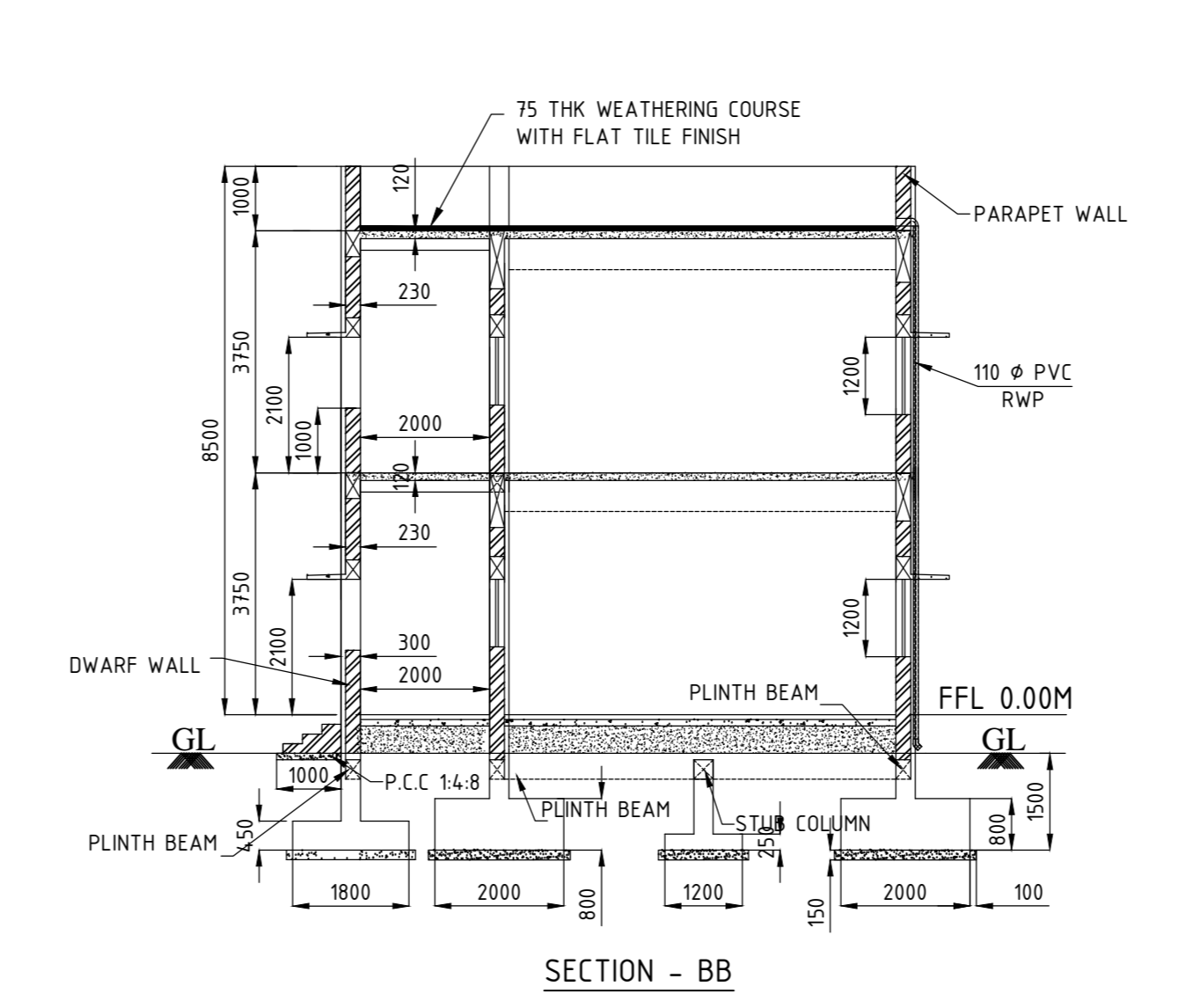
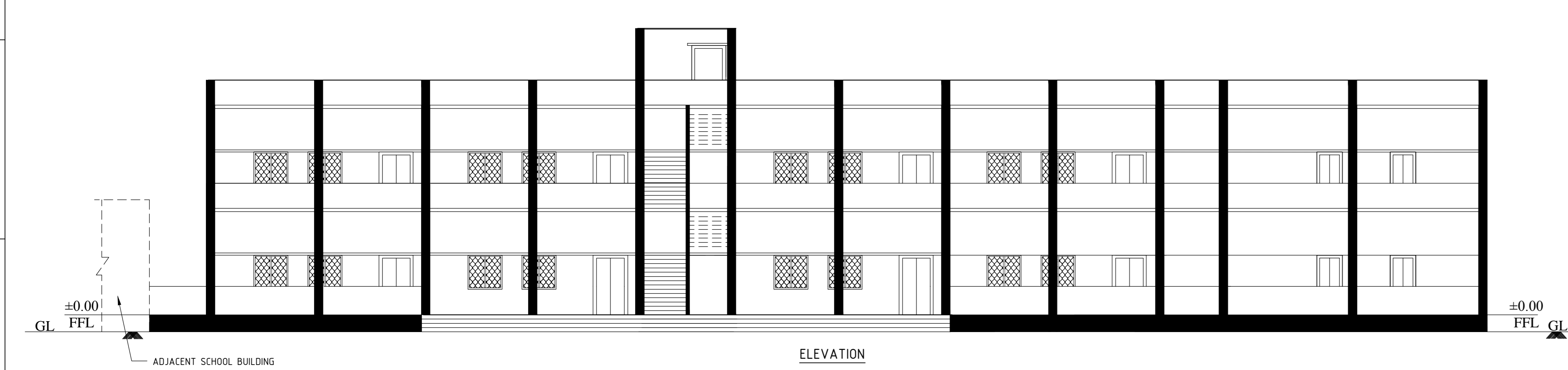
AREA OF PROPOSED SCHOOL BUILDING	- 360.00 SQM.
AREA OF STAIRCASE	- 22.00 SQM.
TOTAL AREA	- 382.00 SQM.

FIRST FLOOR:-

AREA OF PROPOSED SCHOOL BUILDING	- 360.00 SQM.
AREA OF STAIRCASE	- 22.00 SQM.
TOTAL AREA	- 382.00 SQM.



TYPE OF PRODUCT OR NAME OF CUSTOMER/PROJECT		CORPORATE SOCIAL RESPONSIBILITY (CSR) BOILER PLANT MIDDLE SCHOOL			
Bharat Heavy Electricals Ltd UNIT: HIGH PRESSURE BOILER PLANT TIRUCHIRAPPALLI - 620014	DRN	DHARMAKALU, J	SIGNATURE	DATE	NO. OF
	APPD	P. SETHURAJAN		21.02.2015	VAR
SCALE	WEIGHT (Kg)	REF TO RST/ / OLD DRG	FORM NO.	REV	
1:10, 1:20, 1:50, 1:100					
TITLE	CARD CODE	DRAWING NO :	REV		
GENERAL ARRANGEMENT OF PROPOSED CLASSROOMS IN SCHOOL	U 01	0-TP-CEG-01686	00		



FOR TENDER PURPOSE ONLY

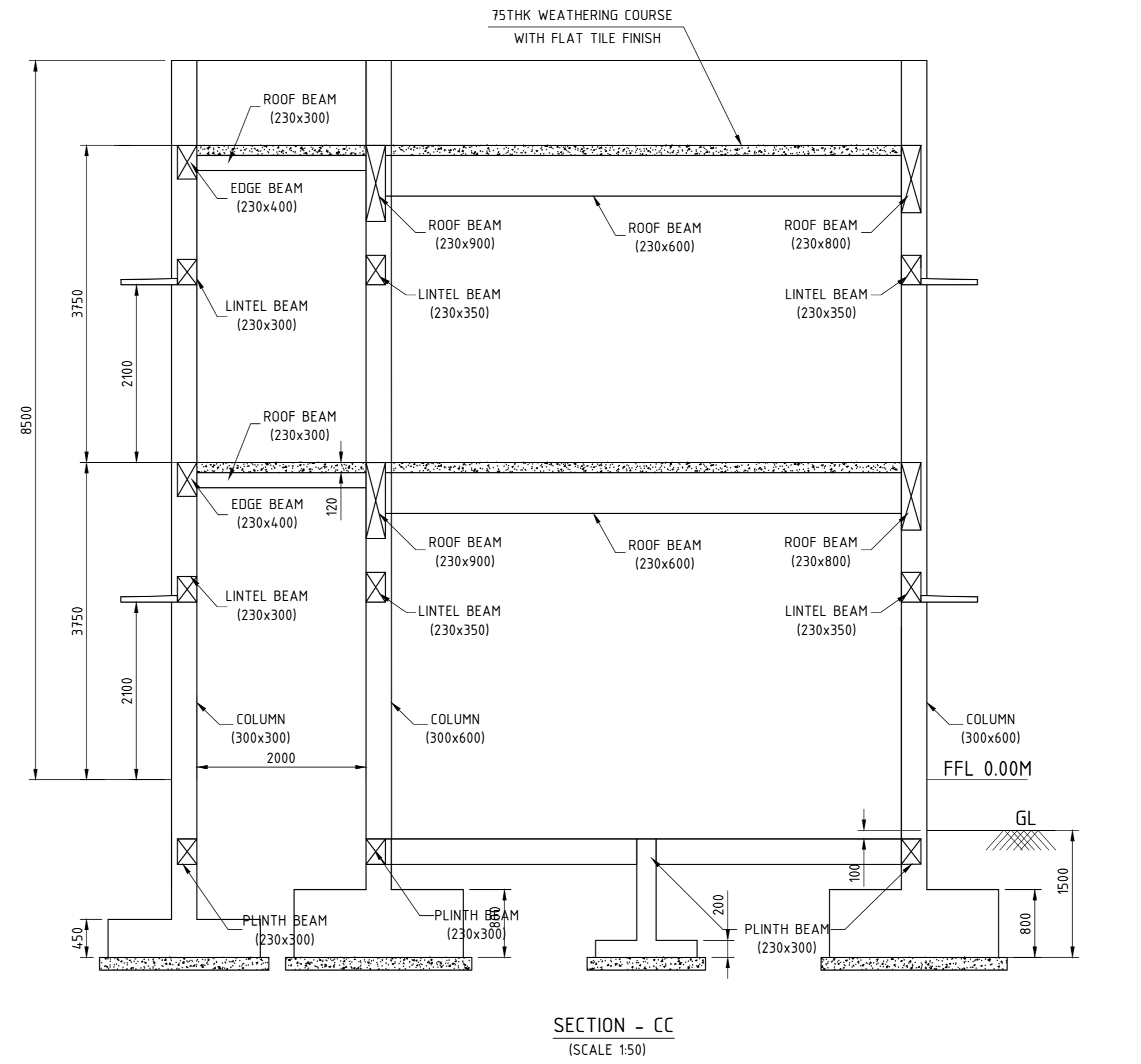
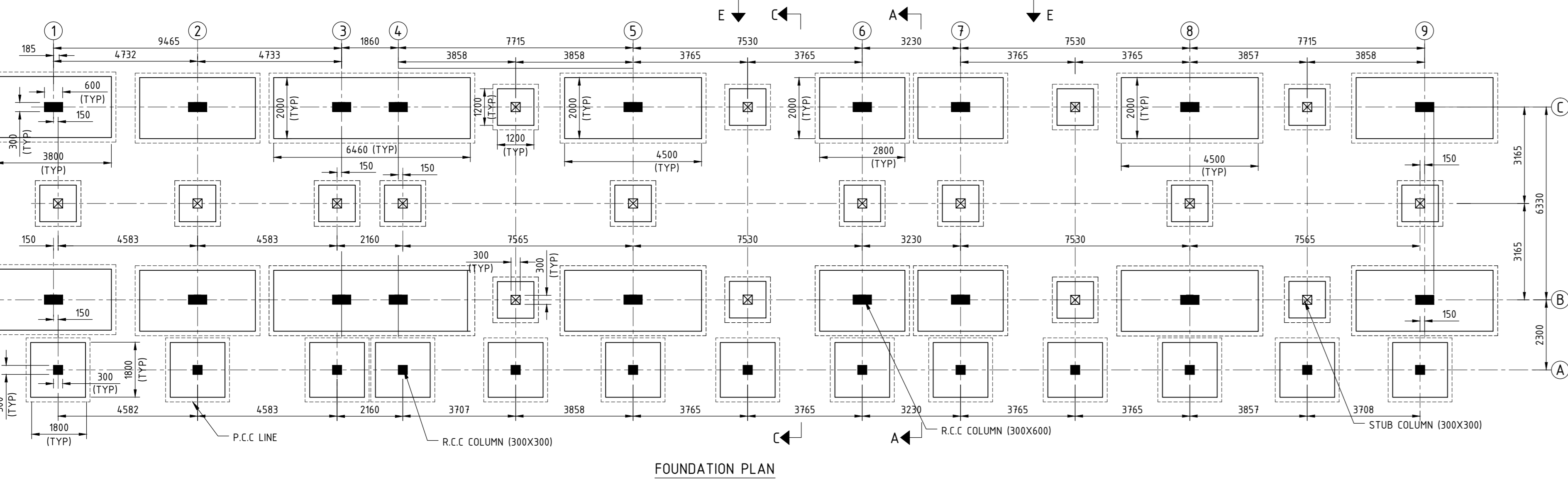
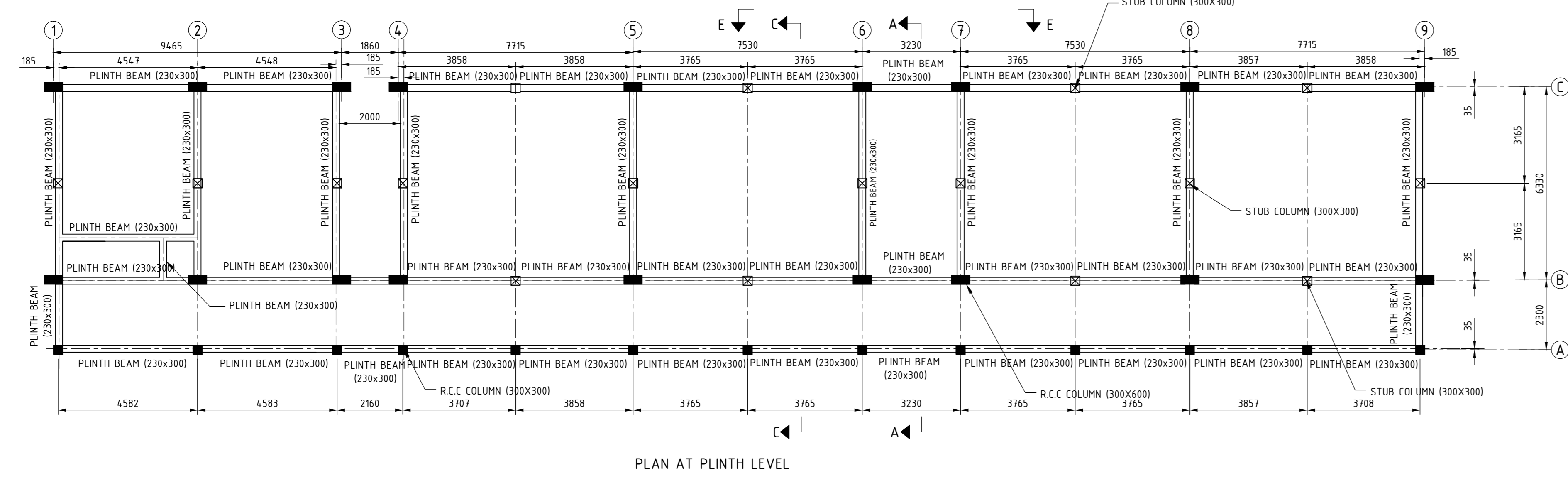
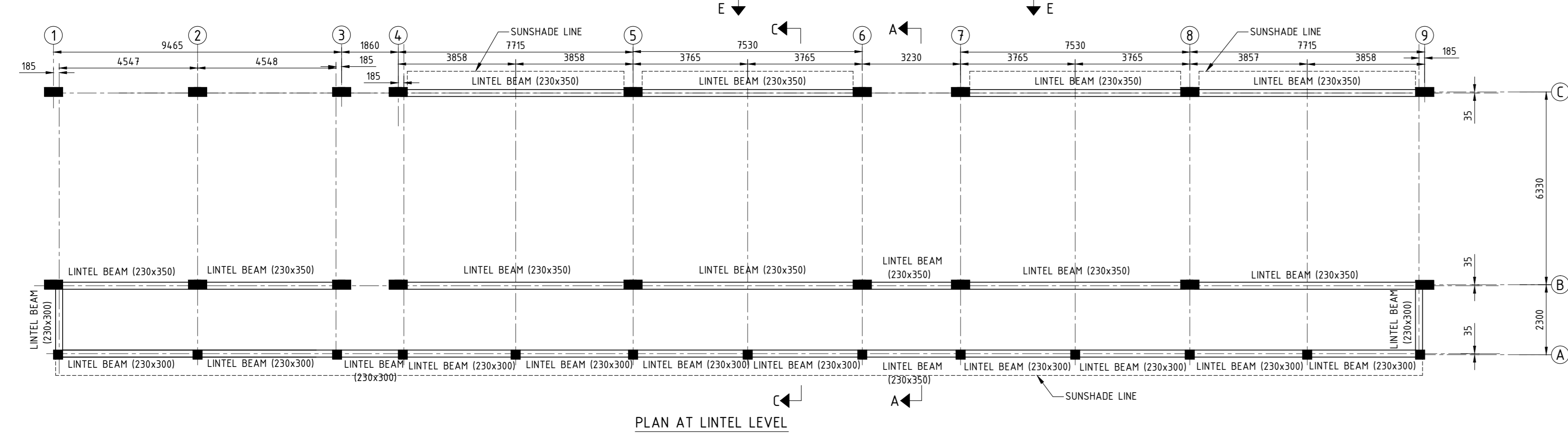
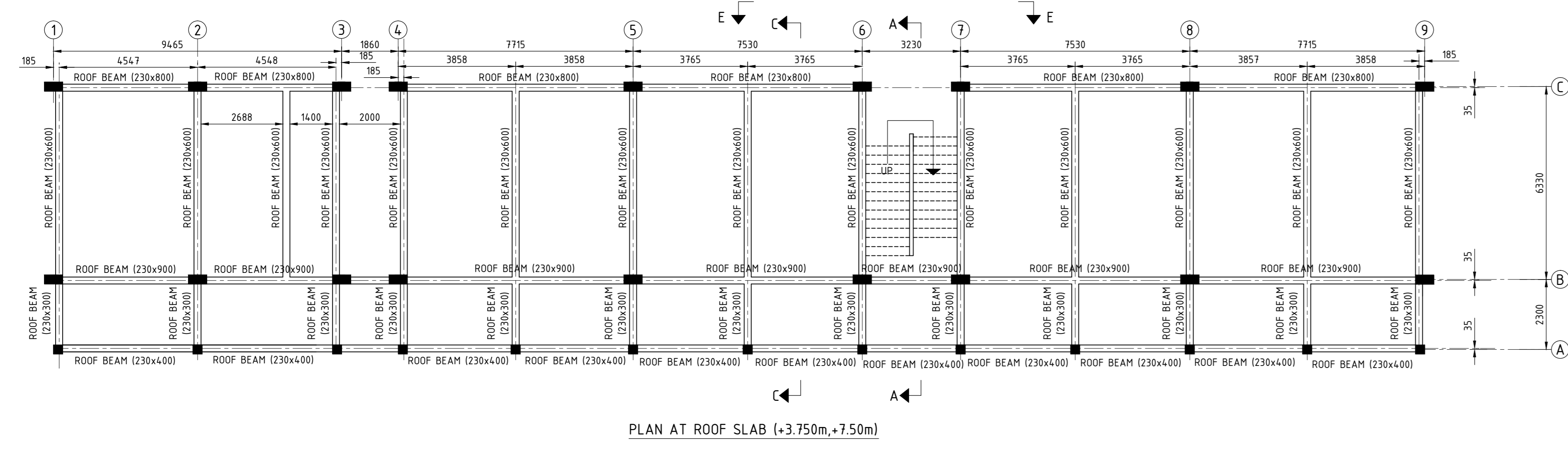
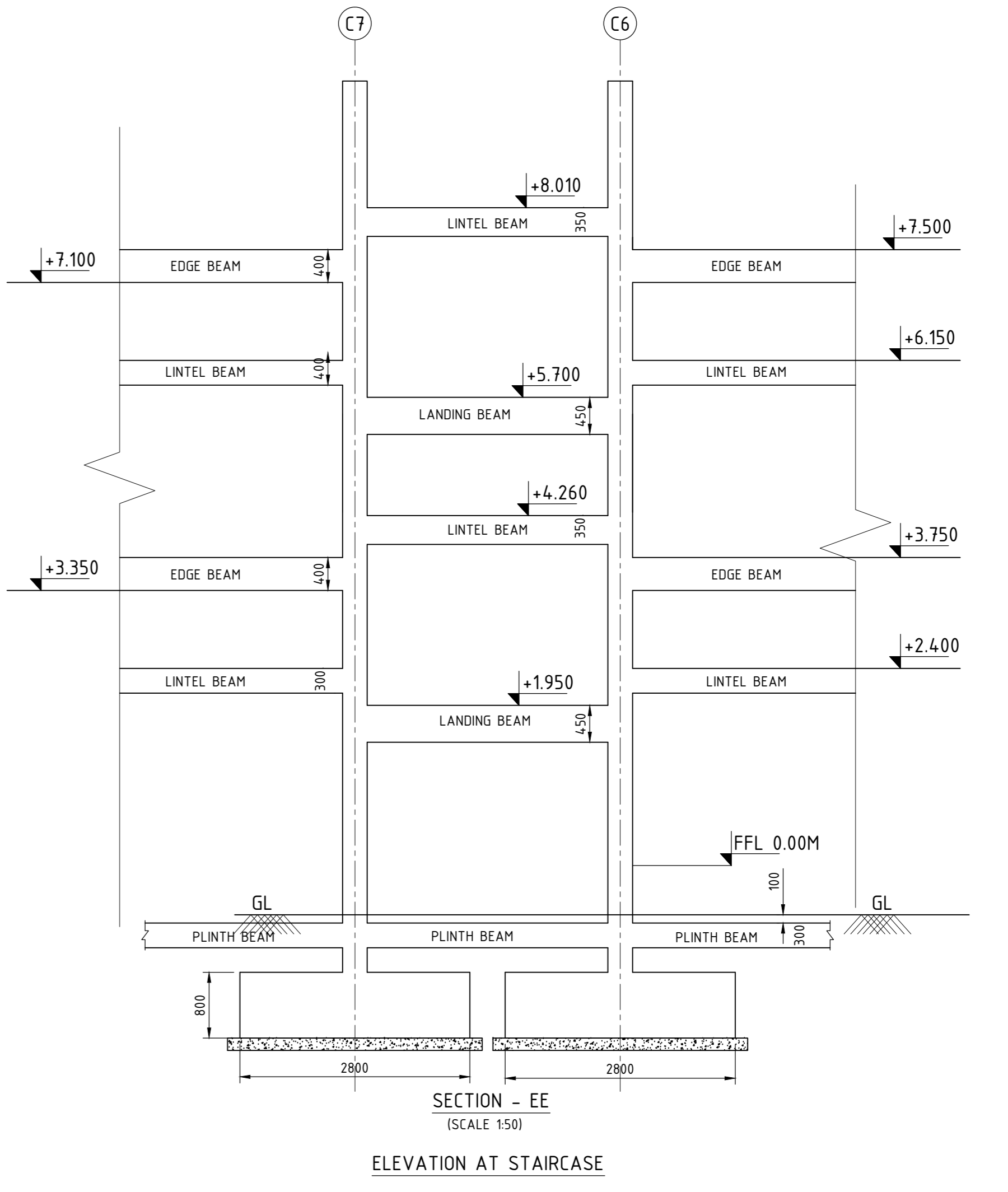
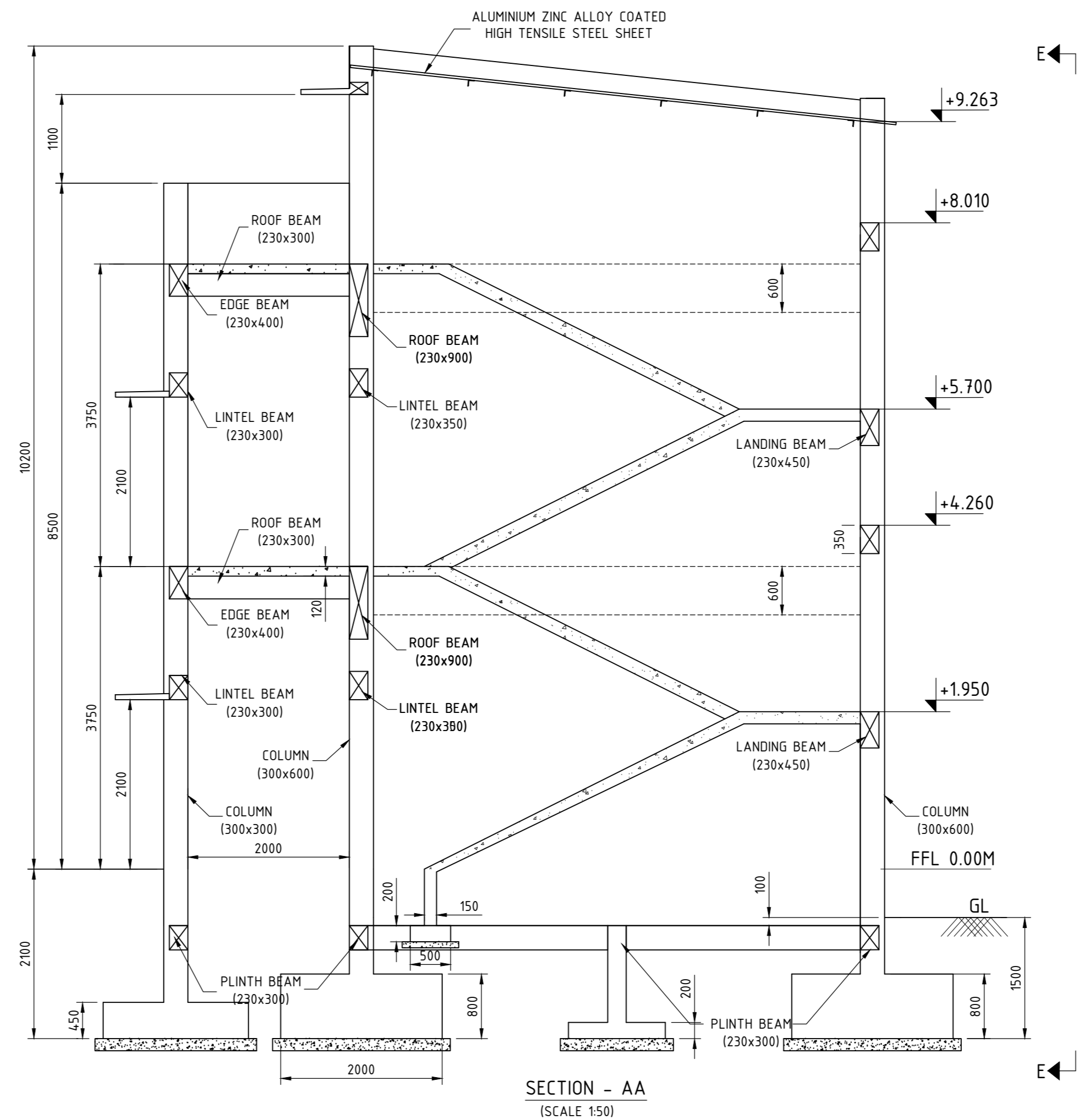
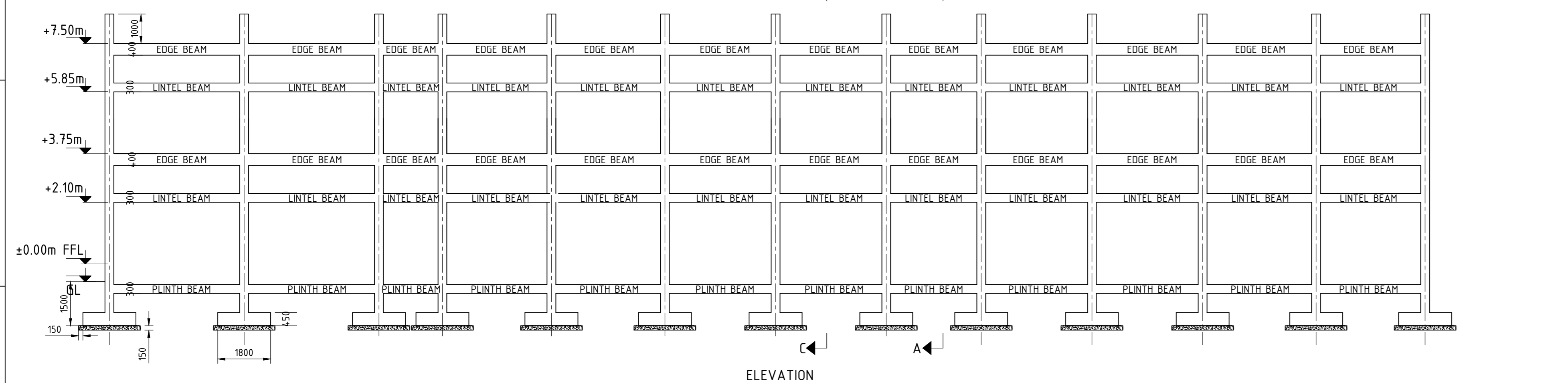
- NOTES:
- 1) ALL DIMENSIONS ARE IN MM & LEVELS ARE IN M.
 - 2) DO NOT SCALE THE DRAWING FOLLOW WRITTEN DIMENSION ONLY.
 - 3) CONCRETE GRADE M20.
 - 4) FOUNDATION IS DESIGNED FOR G+2 STOREYS ONLY.
 - 5) FOR RCC DETAILS, REF. DRG.ND.0-TP-CEG-01777.

- LEGEND-
- D - COUNTRY WOOD PANNELED DOOR 1200 X 2100.
 - D1 - PVC PANNELED DOOR 900 X 2100.
 - D2 - PVC PANNELED DOOR 750 X 2100.
 - D3 - COUNTRY WOOD PANNELED DOOR 1000 X 2100.
 - W - GLAZED ALUMINIUM SLIDING WINDOW WITH ALUMINIUM GRILL - 1200 X 1200.
 - V - GLAZED ALUMINIUM LOUVERED VENTILATOR - 600 X 600.
 - EF - EXHAUST FAN DIA 600MM.
 - INC - INDIAN WATER CLOSET.
 - EW - EUROPEAN WATER CLOSET.
 - WT - PRECAST RCC WASH TROUGH.
 - WB - WASH BASIN.
 - BB - BLACK BOARD.
 - J - R.C.C. JALLY - 1000 X 1000.
 - RWP - RAIN WATER PIPE.

GROUND FLOOR:-
 AREA OF PROPOSED SCHOOL BUILDING - 360.00 SQM.
 AREA OF STAIRCASE - 22.00 SQM.
 TOTAL AREA - 382.00 SQM.

FIRST FLOOR:-
 AREA OF PROPOSED SCHOOL BUILDING - 360.00 SQM.
 AREA OF STAIRCASE - 22.00 SQM.
 TOTAL AREA - 382.00 SQM.

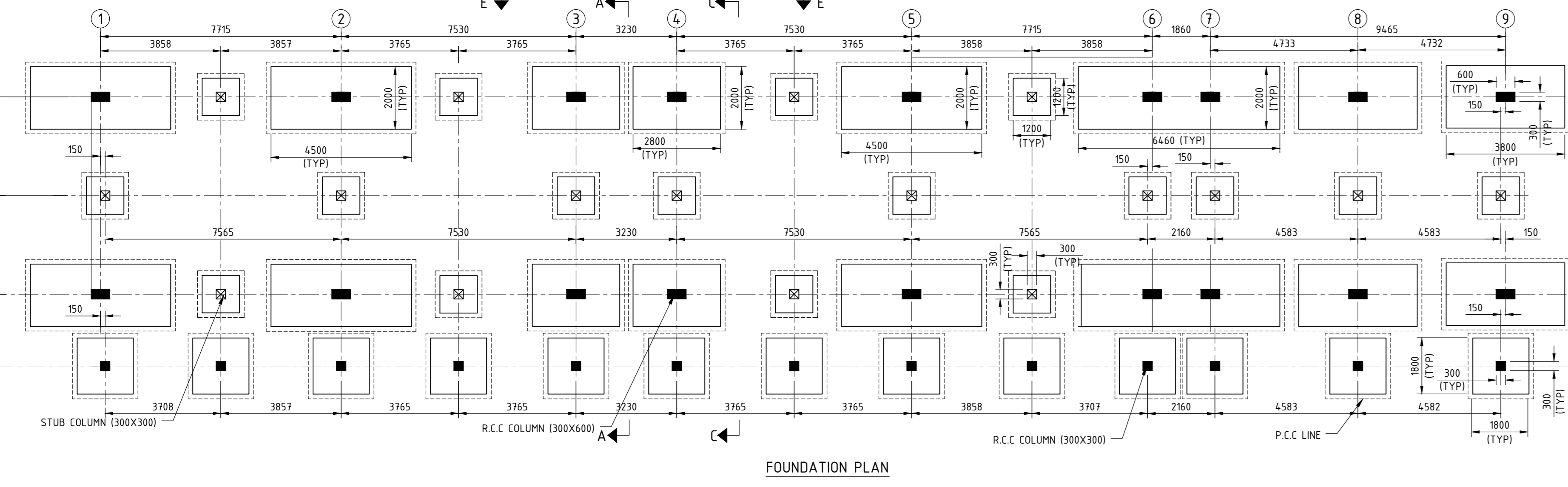
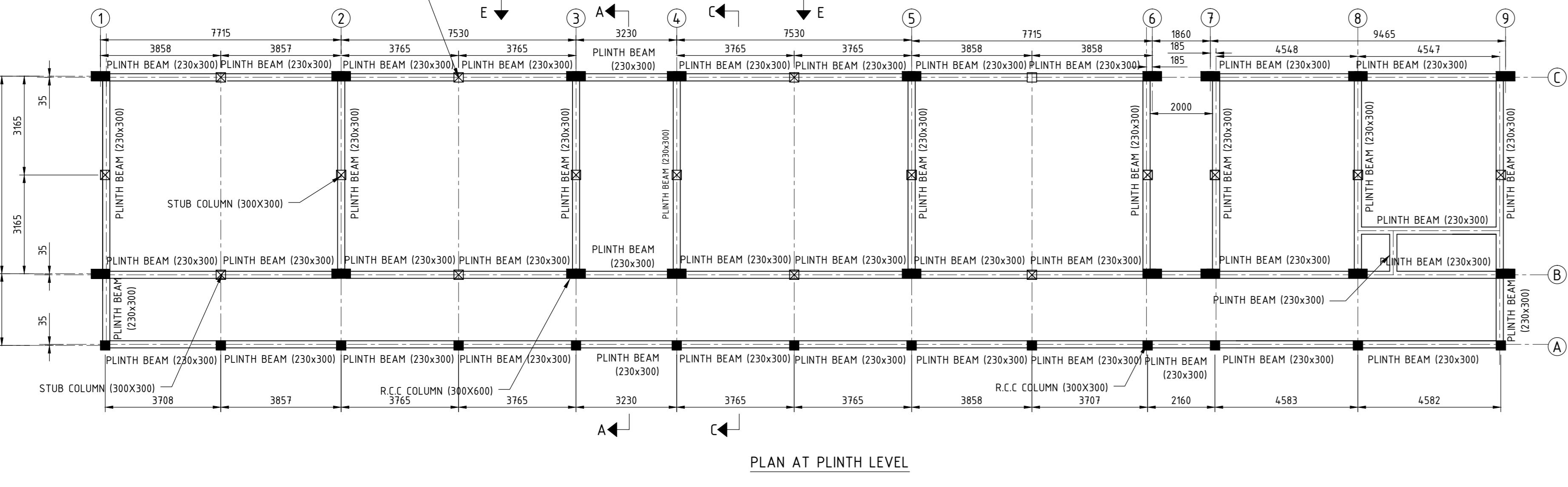
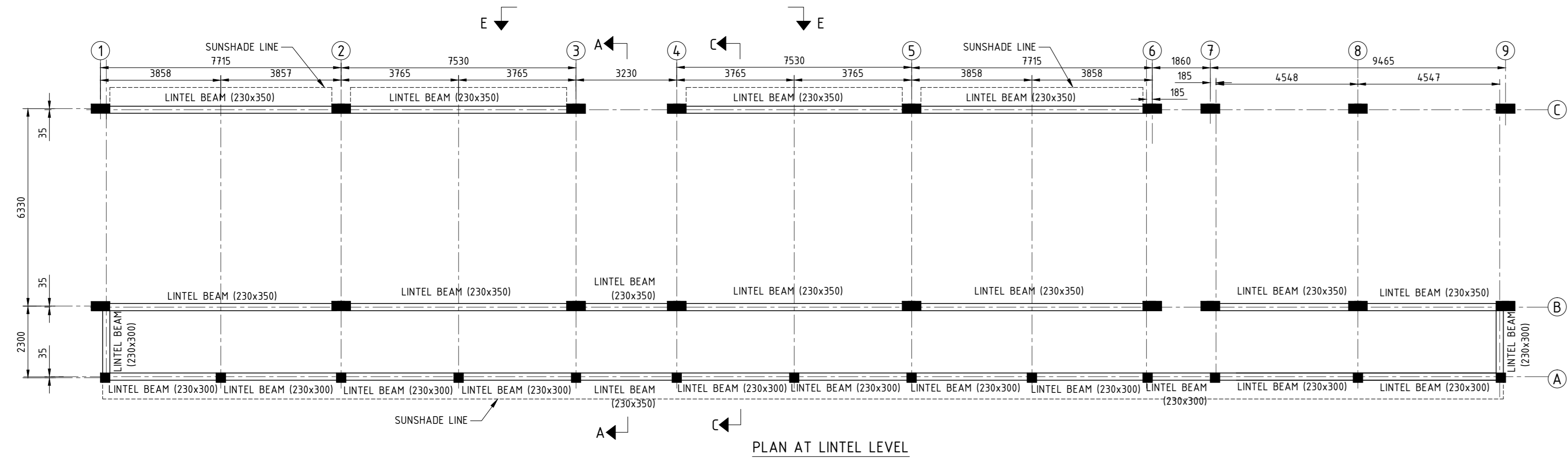
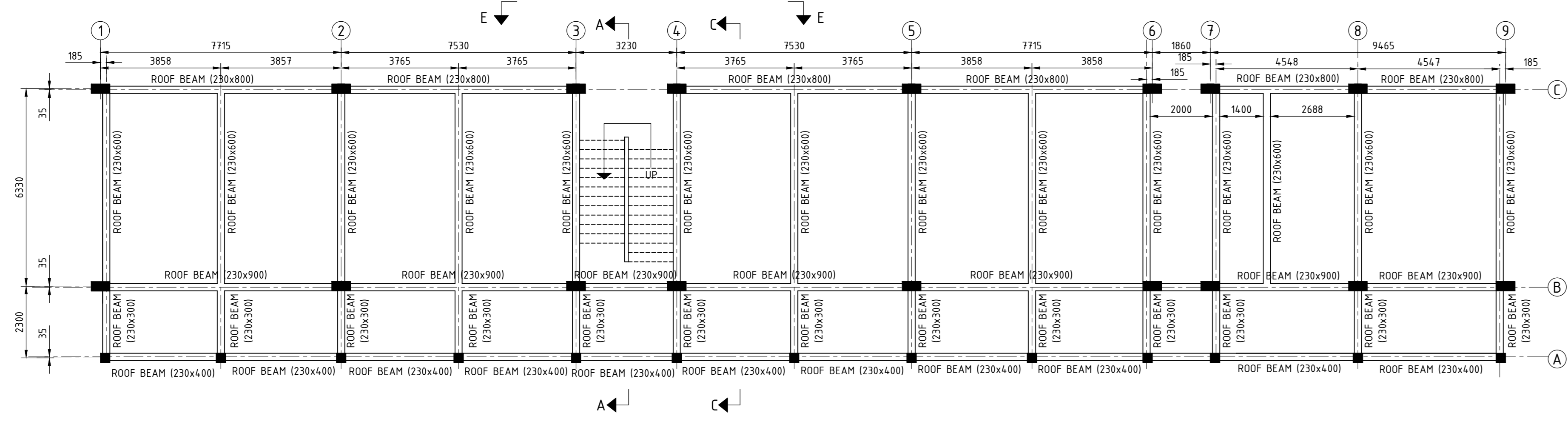
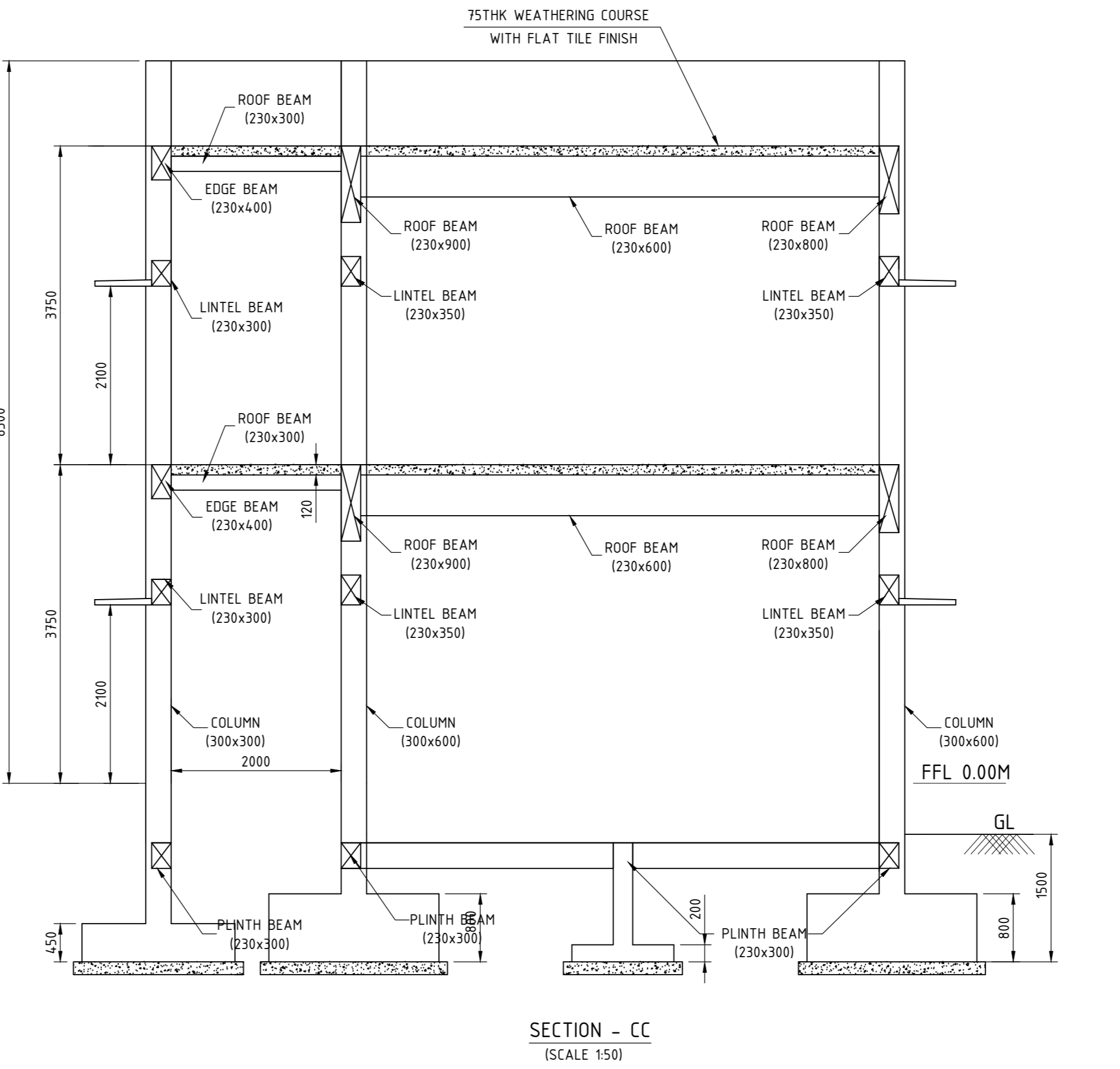
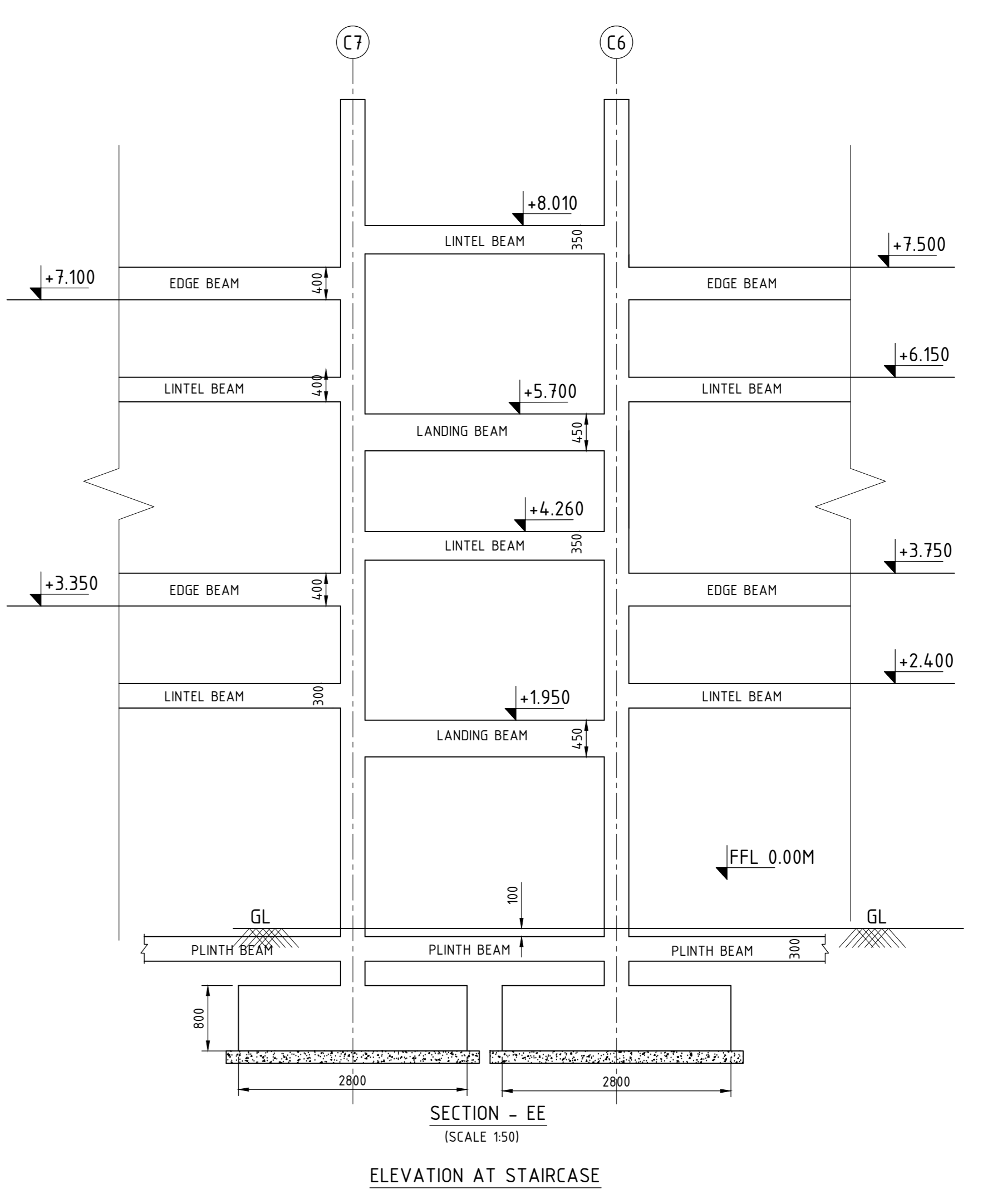
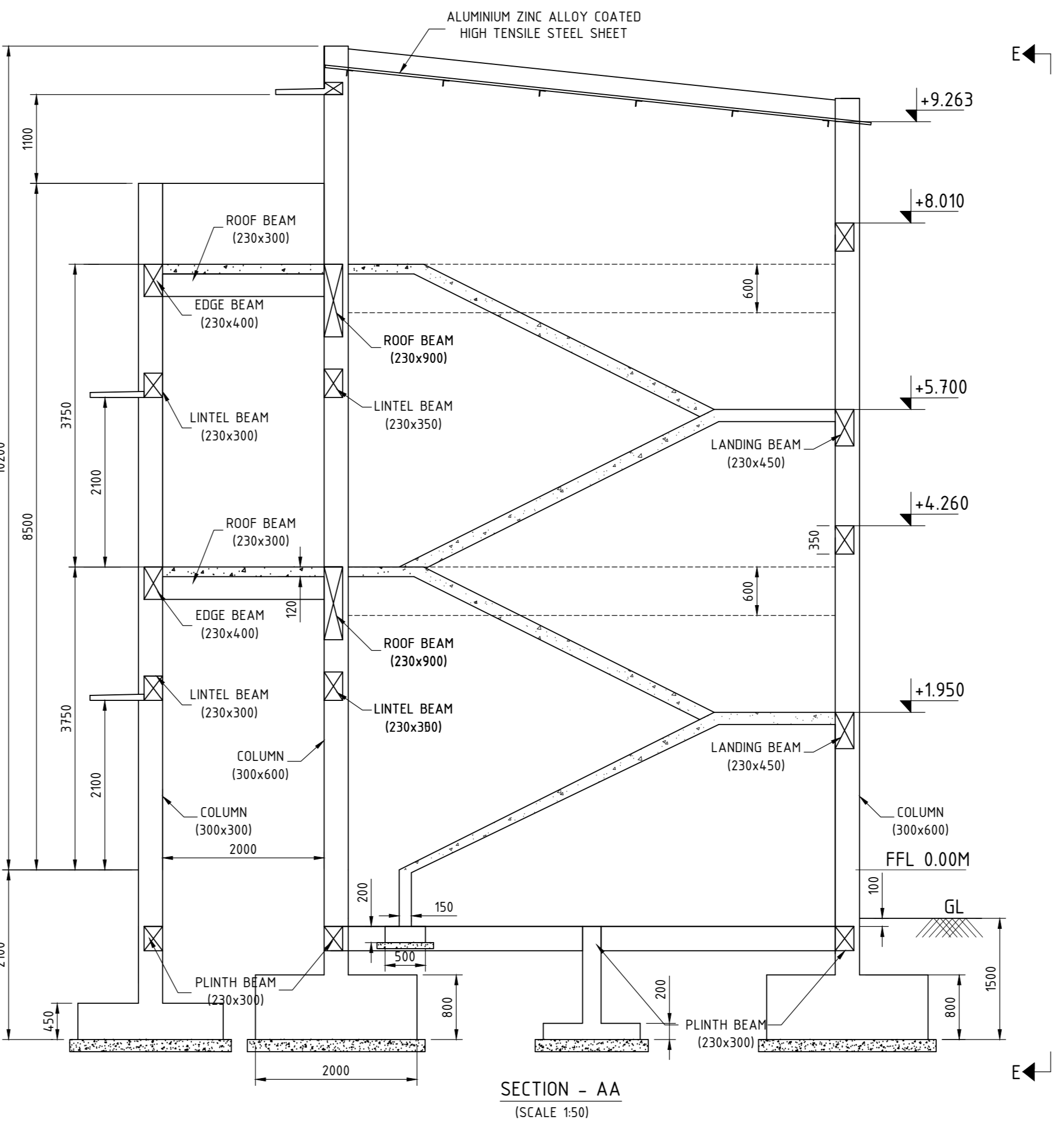
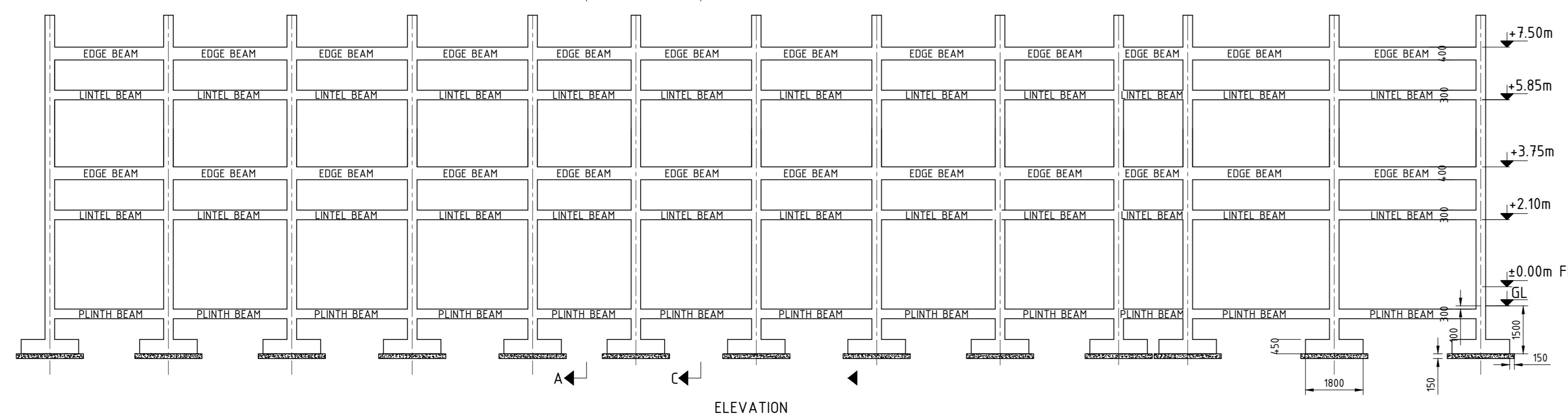
TYPE OF PRODUCT OR NAME OF CUSTOMER/PROJECT		CORPORATE SOCIAL RESPONSIBILITY (CSR) BOILER PLANT PRIMARY AND NURSERY SCHOOL			
	Bharat Heavy Electricals Ltd UNIT: HIGH PRESSURE BOILER PLANT TIRUCHIRAPPALLI - 620014	DRN	DHARMAKAL J	SIGNATURE	DATE
		APPD	P.SETHULAKSHMI		24.02.2015
DRN	K.GUNASEKARAN	DATE	24.02.2015	NO. OF	00
SCALE	1:10, 1:20, 1:50, 1:100	WEIGHT (KGS)	REF TO RST / OLD DRG	FORM NO.	00
TITLE	GENERAL ARRANGEMENT OF PROPOSED CLASSROOMS IN SCHOOL	CARD CODE	U 01	DRAWING NO :	0-TP-CEG-01687



FOR TENDER PURPOSE ONLY

NOTES:-
 1) ALL DIMENSIONS ARE IN 'MM' & LEVELS ARE IN 'M'.
 2) DO NOT SCALE THE DRAWING FOLLOW WRITTEN DIMENSION ONLY.
 3) CONCRETE GRADE M20.
 4) FOUNDATION IS DESIGNED FOR G-2 STOREYS ONLY.
 5) FOR GENERAL ARRANGEMENT DETAILS REFER DRAWING NO. 0-TP-CEG-03686.
 6) FOR DETAILS OF REINFORCEMENT REFER SEPARATE DRAWING.

TYPE OF PRODUCT OR NAME OF CUSTOMER/PROJECT		CORPORATE SOCIAL RESPONSIBILITY (CSR) BOILER PLANT MIDDLE SCHOOL			
BHARAT HEAVY ELECTRICALS LTD. CIVIL ENGINEER U-01	DATE	21.02.2015	NO. OF VARS	-	DRN: BHARAT, J. CHD: P. SETHURAMAN APPD: K. GUNASEKARAN
	DATE	21.02.2015	NO. OF VARS	-	
TITLE: R.C.C. DETAILS FOR PROPOSED CLASSROOMS IN SCHOOL.	SCALE	1:50, 1:100	WEIGHT (Kg)	REF TO RIBB / OLD DWG	DRAWING NO: 0-TP-CEG-01773 REV: 00



FOR TENDER PURPOSE ONLY

- NOTES:**
- 1) ALL DIMENSIONS ARE IN MM. LEVELS ARE IN "M".
 - 2) DO NOT SCALE THE DRAWING FOLLOW WRITTEN DIMENSION ONLY.
 - 3) CONCRETE GRADE M20.
 - 4) FOUNDATION IS DESIGNED FOR G+2 STOREYS ONLY.
 - 5) FOR GENERAL ARRANGEMENT DETAILS REFER DRAWING NO. 0-TP-CEG-01687
 - 6) FOR DETAILS OF REINFORCEMENT REFER SEPARATE DRAWING.

TYPE OF PRODUCT OR NAME OF CUSTOMER/PROJECT		CORPORATE SOCIAL RESPONSIBILITY (CSR) BOILER PLANT PRIMARY AND NURSERY SCHOOL					
	Bharat Heavy Electricals Ltd		DRN	NAME	SIGNATURE	DATE	NO. OF
	UNIT: HIGH PRESSURE BOILER PLANT TIRUCHIRAPPALLI - 620014		APPD	K. SETHURAMAN		24.02.2015	-
GPT CIVIL CODE 2200	GRADE OF UNITS, OR C/M/P	SCALE 1:50, 1:100	WEIGHT (Kgs) REF TO MSB / OLD DWG	REV NO. OF TBMS	TITLE R.C.C. FRAME DETAILS FOR PROPOSED CLASSROOMS IN SCHOOL	DRAWING NO : 0-TP-CEG-01777	REV 00