

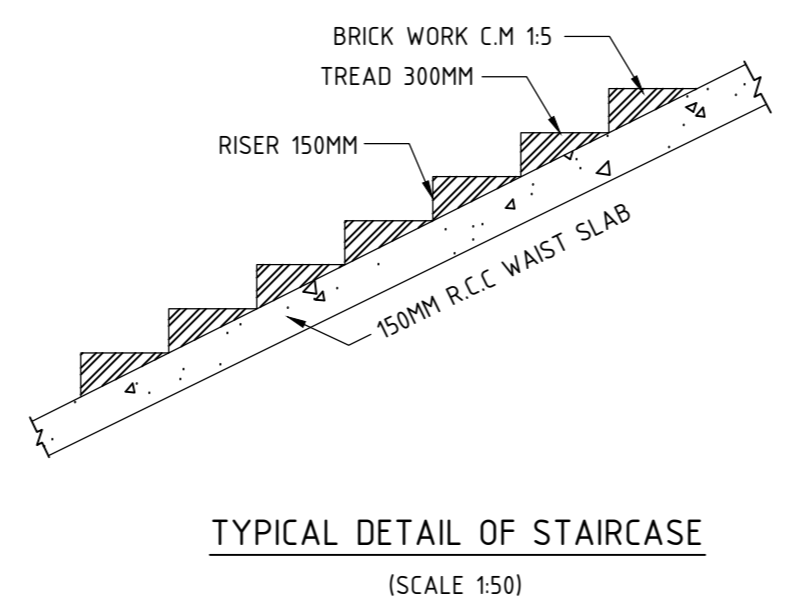
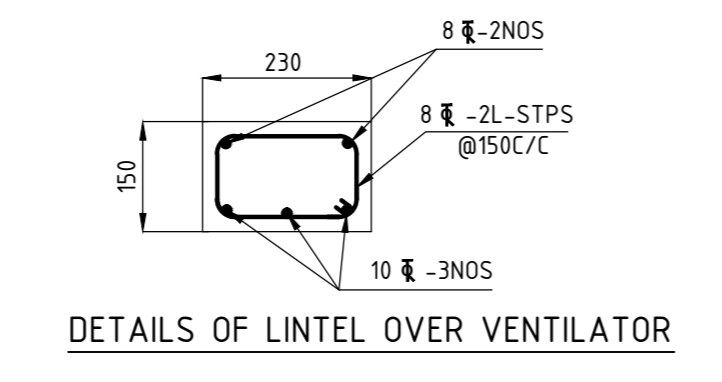
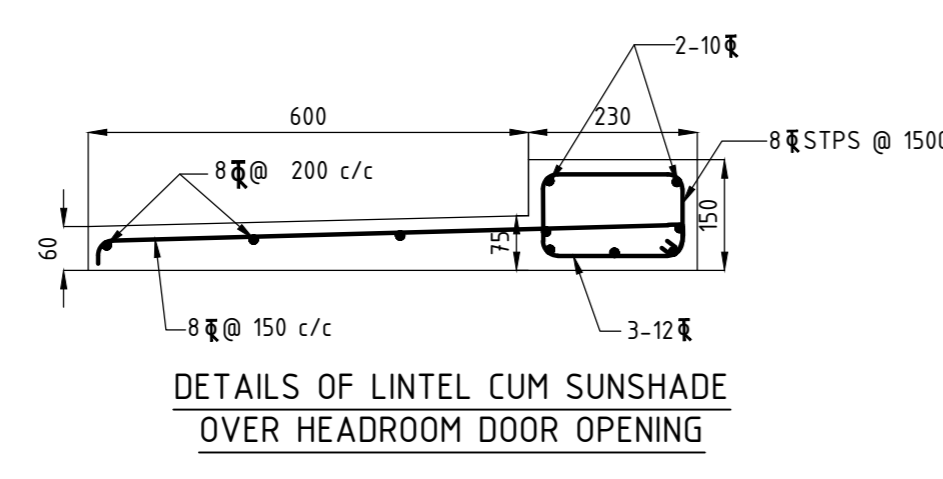
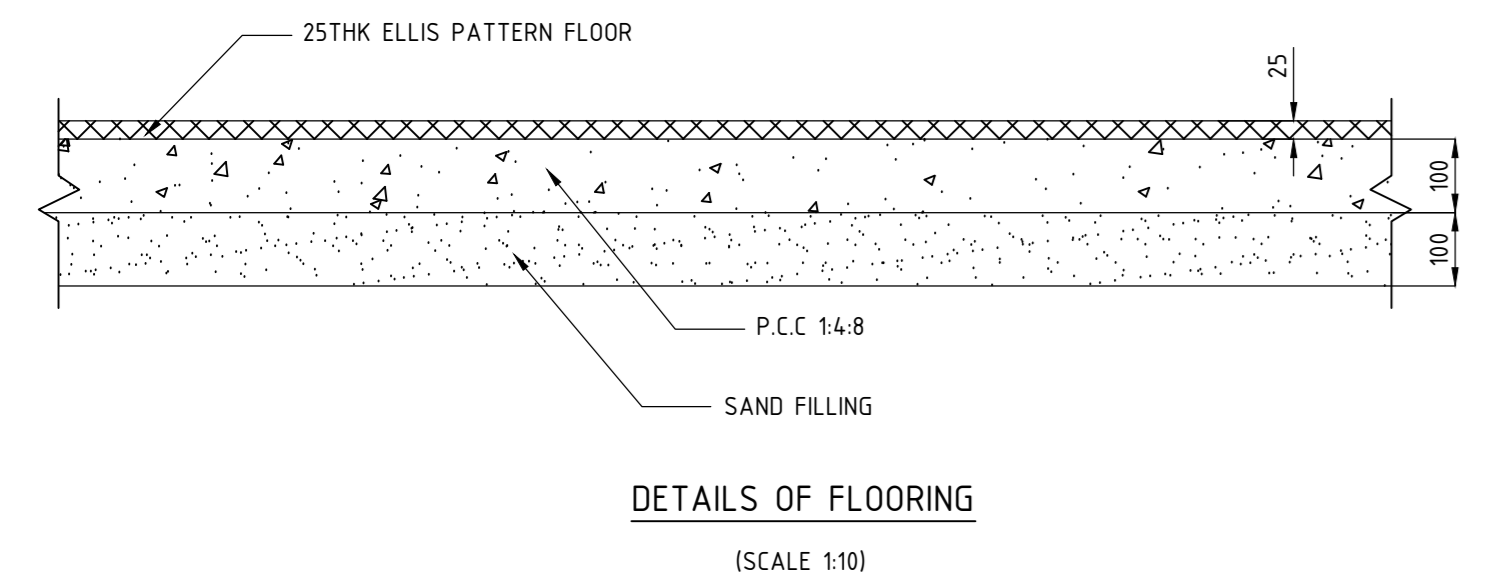
FOR TENDER PURPOSE ONLY

- NOTES:
- 1) ALL DIMENSIONS ARE IN MM & LEVELS ARE IN M.
  - 2) DO NOT SCALE THE DRAWING FOLLOW WRITTEN DIMENSION ONLY.
  - 3) CONCRETE GRADE M20.
  - 4) FOUNDATION IS DESIGNED FOR G+2 STOREYS ONLY.
  - 5) FOR RCC DETAILS, REF. DRG.ND-TP-CEG-01778.

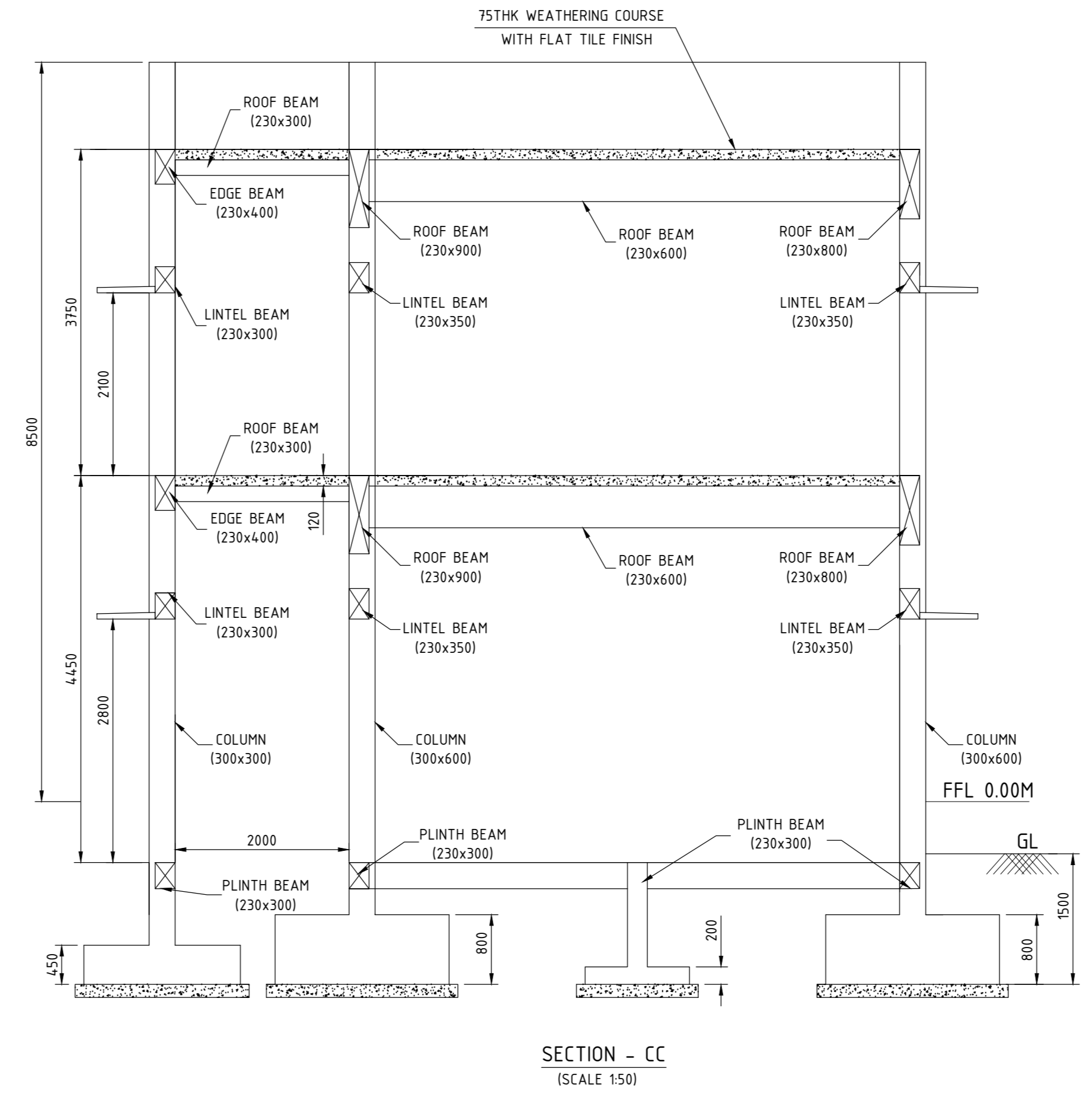
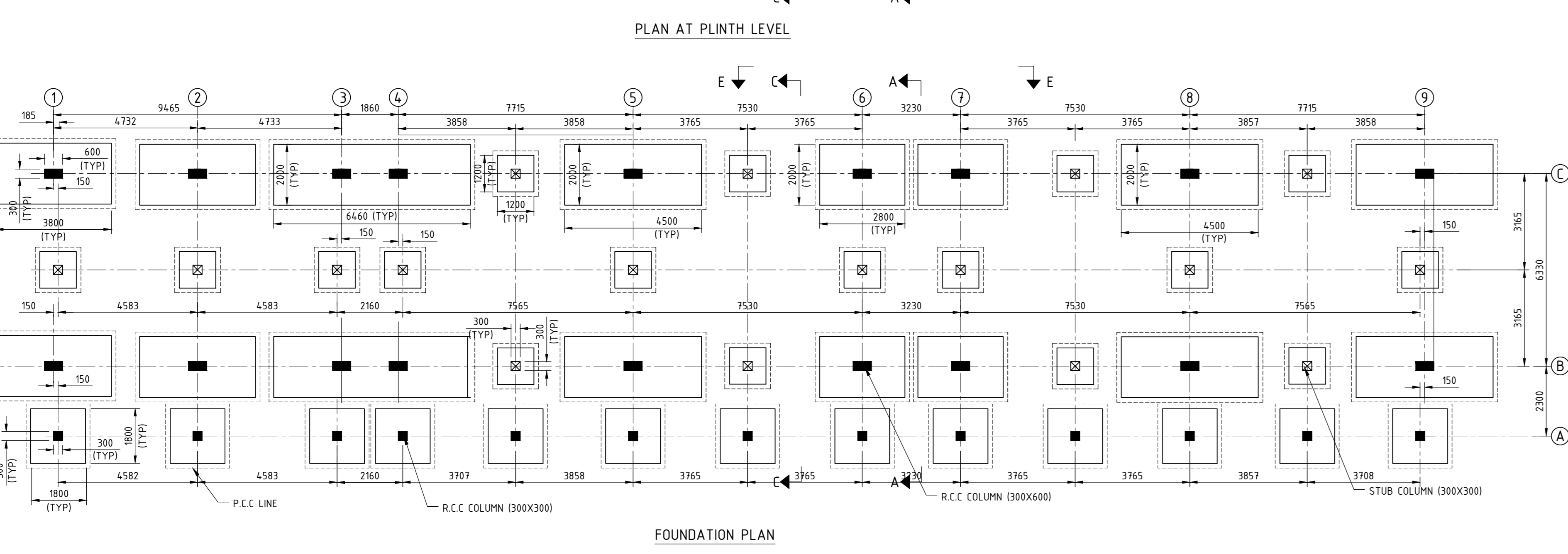
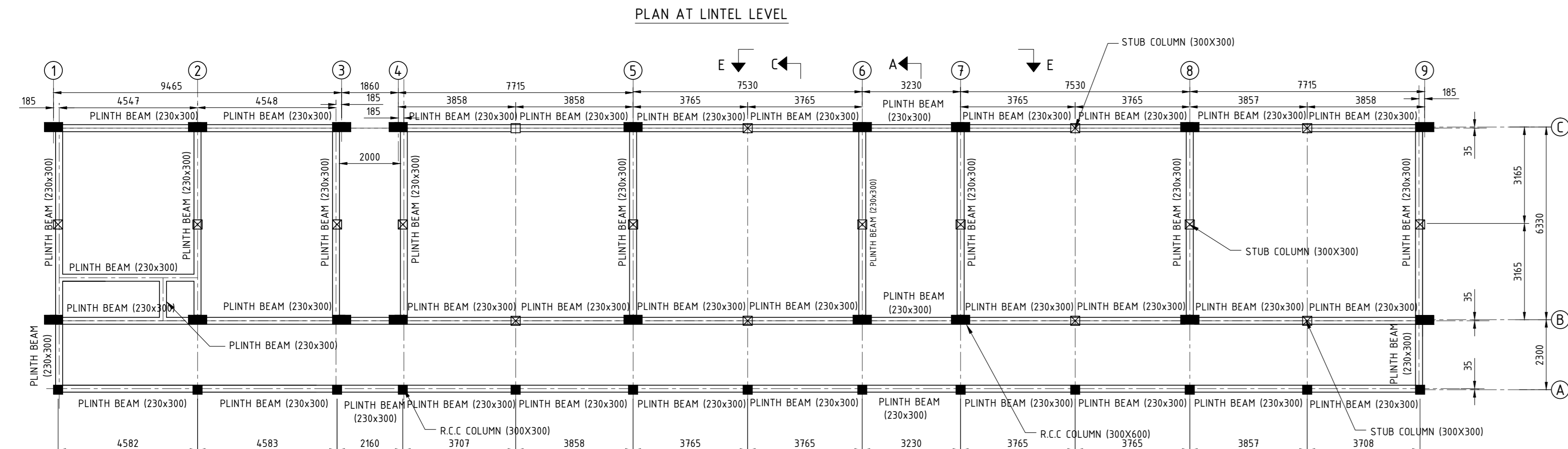
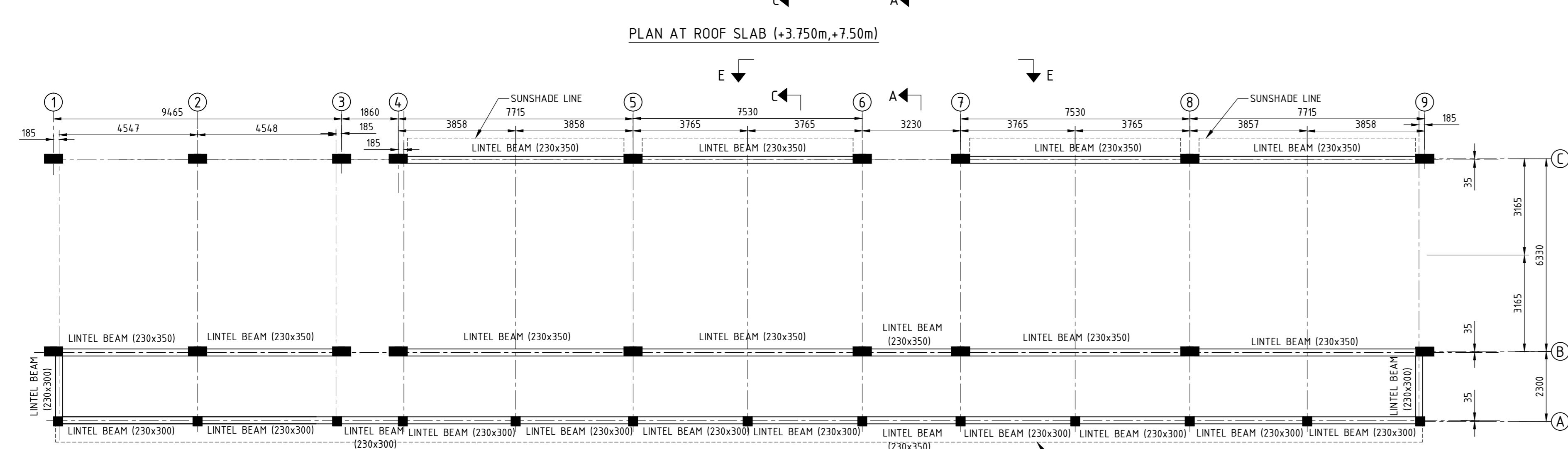
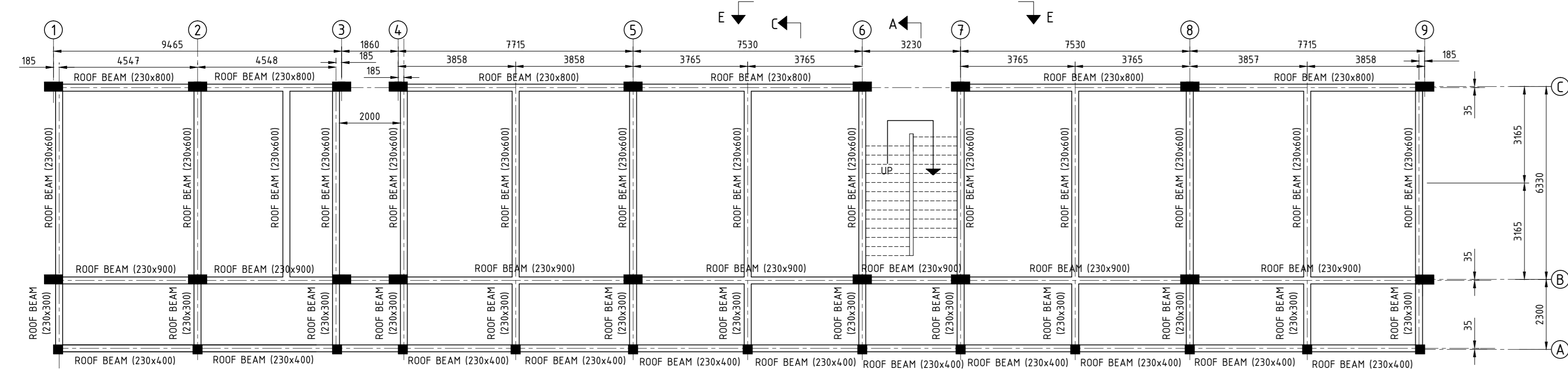
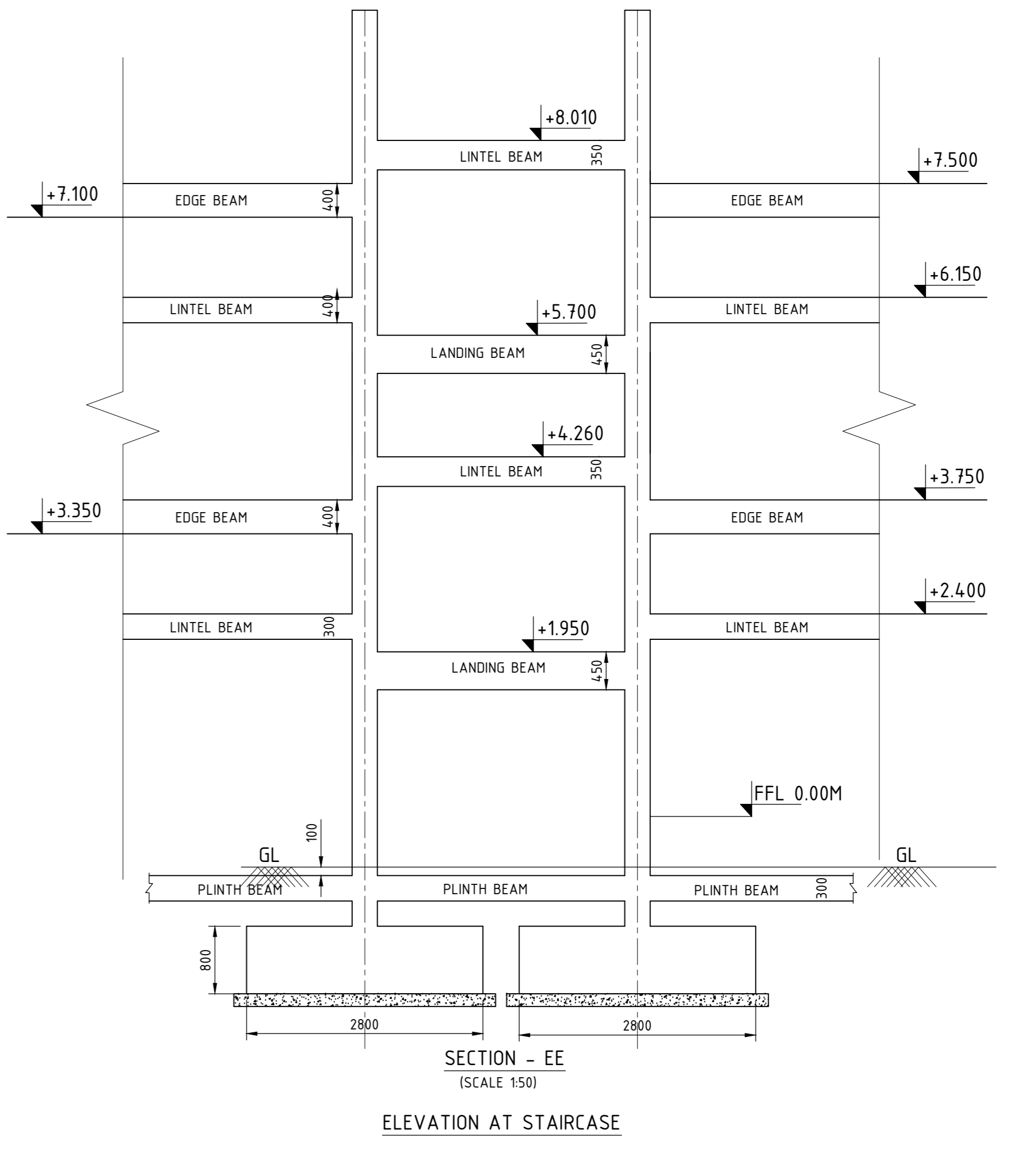
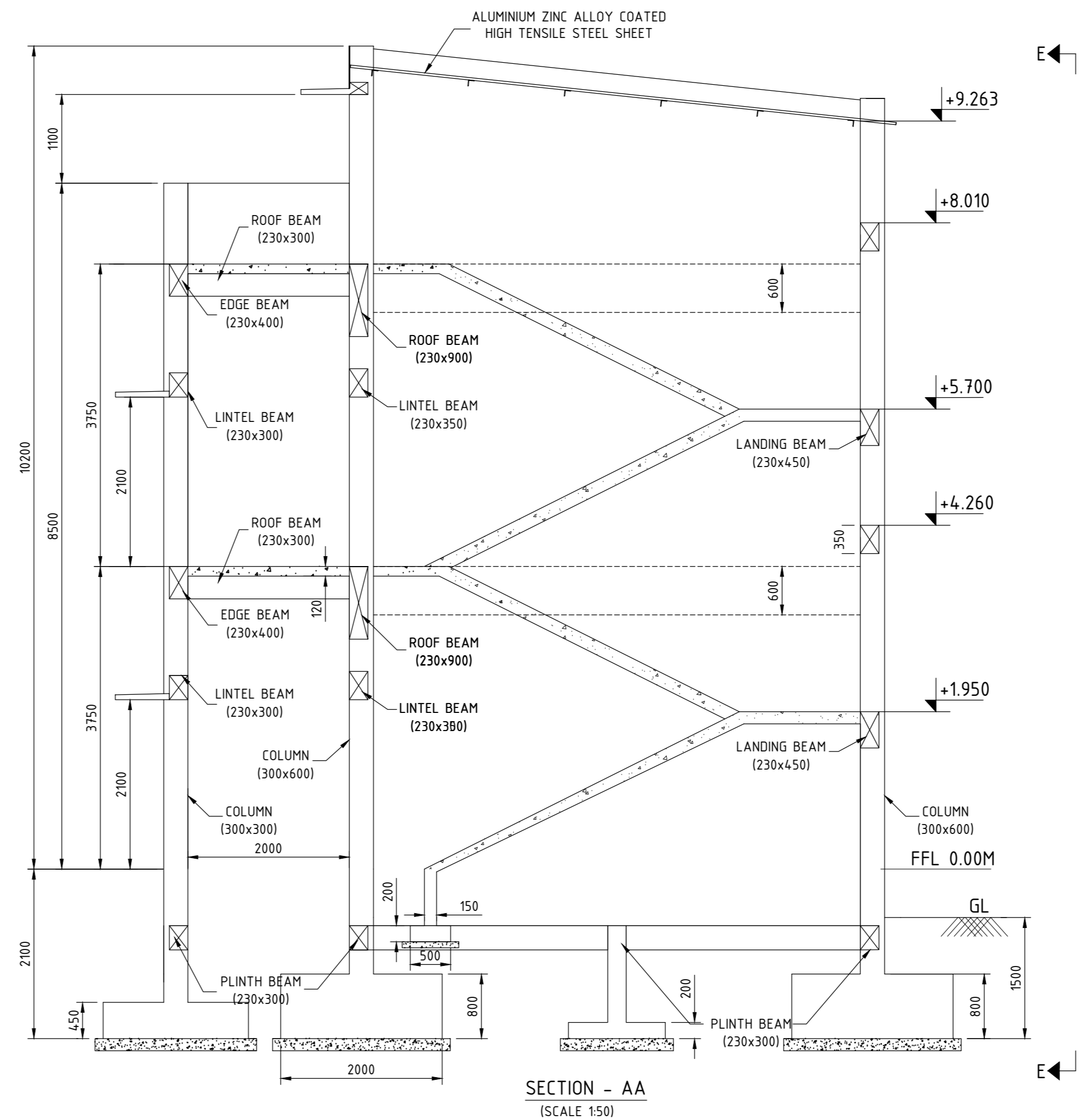
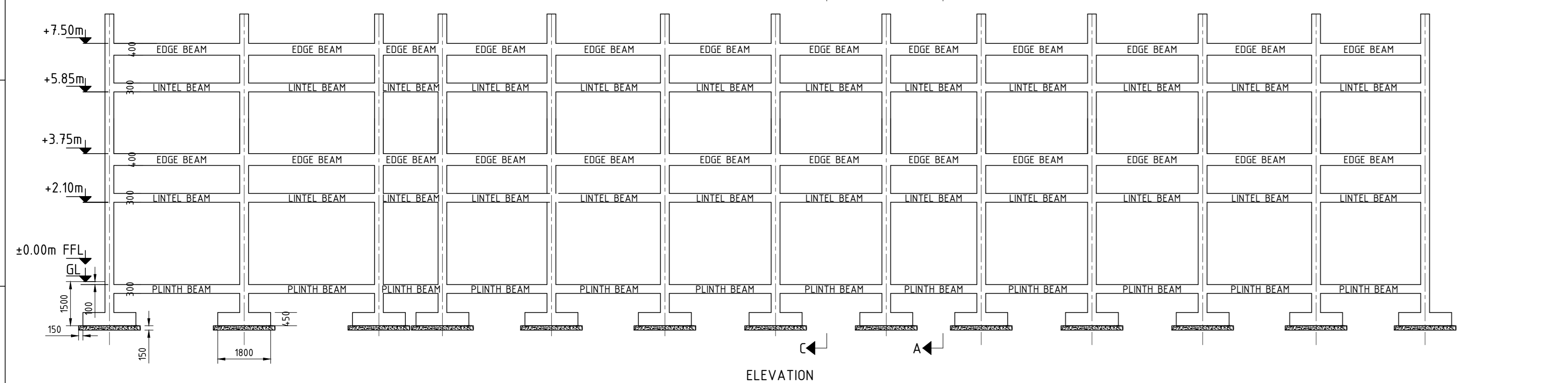
- LEGEND-
- D - COUNTRY WOOD PANNELED DOOR 1200 X 2100.
  - D1 - PVC PANNELED DOOR 900 X 2100.
  - D2 - PVC PANNELED DOOR 750 X 2100.
  - D3 - COUNTRY WOOD PANNELED DOOR 1000 X 2100.
  - M - GLAZED ALUMINIUM SLIDING WINDOW WITH ALUMINIUM GRILL - 1200 X 1200.
  - V - GLAZED ALUMINIUM LOUVERED VENTILATOR - 600 X 600.
  - EF - EXHAUST FAN DIA 600MM.
  - INC - INDIAN WATER CLOSET.
  - EW - EUROPEAN WATER CLOSET.
  - WT - PRECAST REC WASH TROUGH.
  - WB - WASH BASIN.
  - BB - BLACK BOARD.
  - J - R.C.C JALLY - 1000 X 1000.
  - RWP - RAIN WATER PIPE.

GROUND FLOOR:-  
 AREA OF PROPOSED SCHOOL BUILDING - 360.00 SQM.  
 AREA OF STAIRCASE - 22.00 SQM.  
 TOTAL AREA - 382.00 SQM.

FIRST FLOOR:-  
 AREA OF PROPOSED SCHOOL BUILDING - 360.00 SQM.  
 AREA OF STAIRCASE - 22.00 SQM.  
 TOTAL AREA - 382.00 SQM.



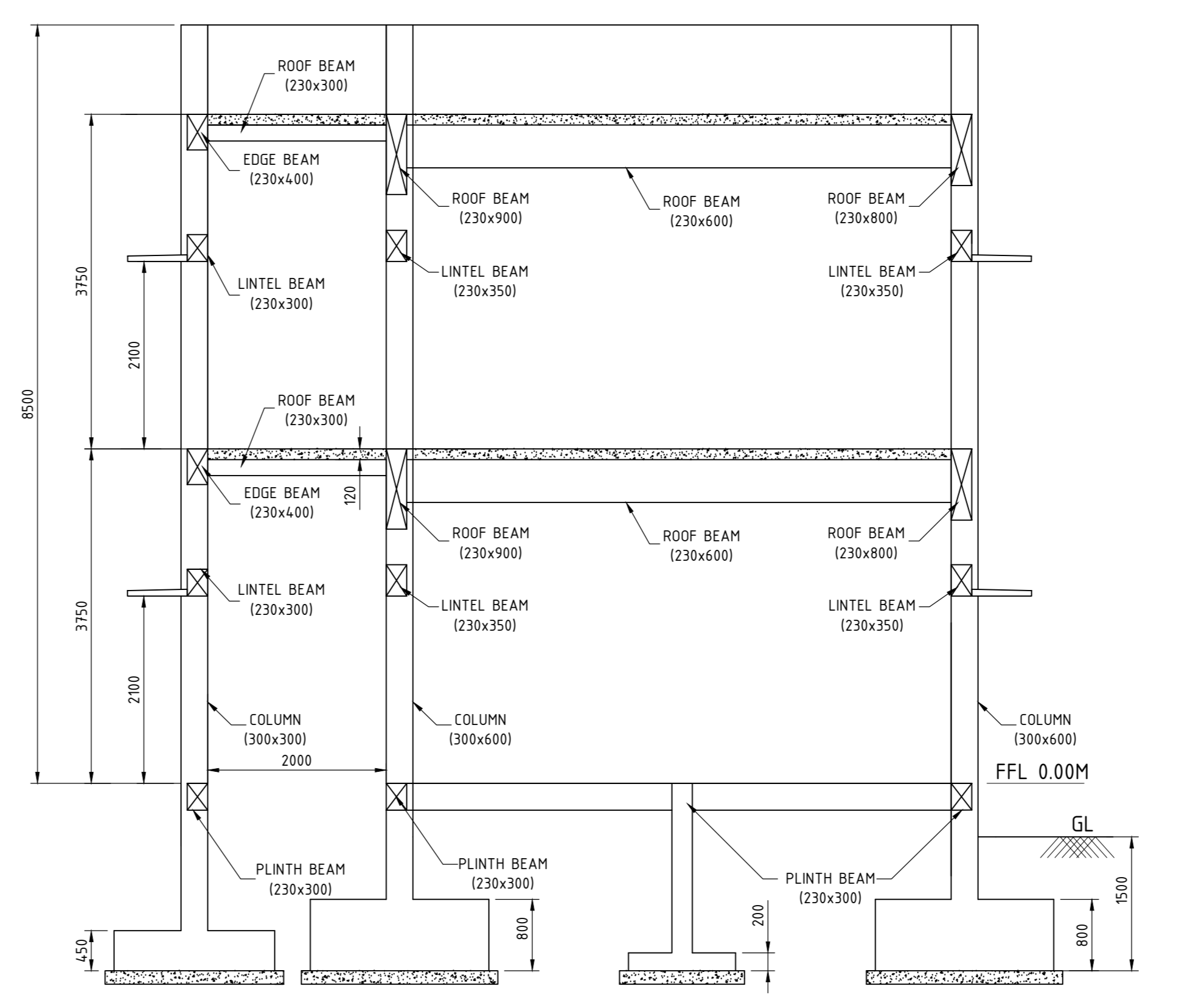
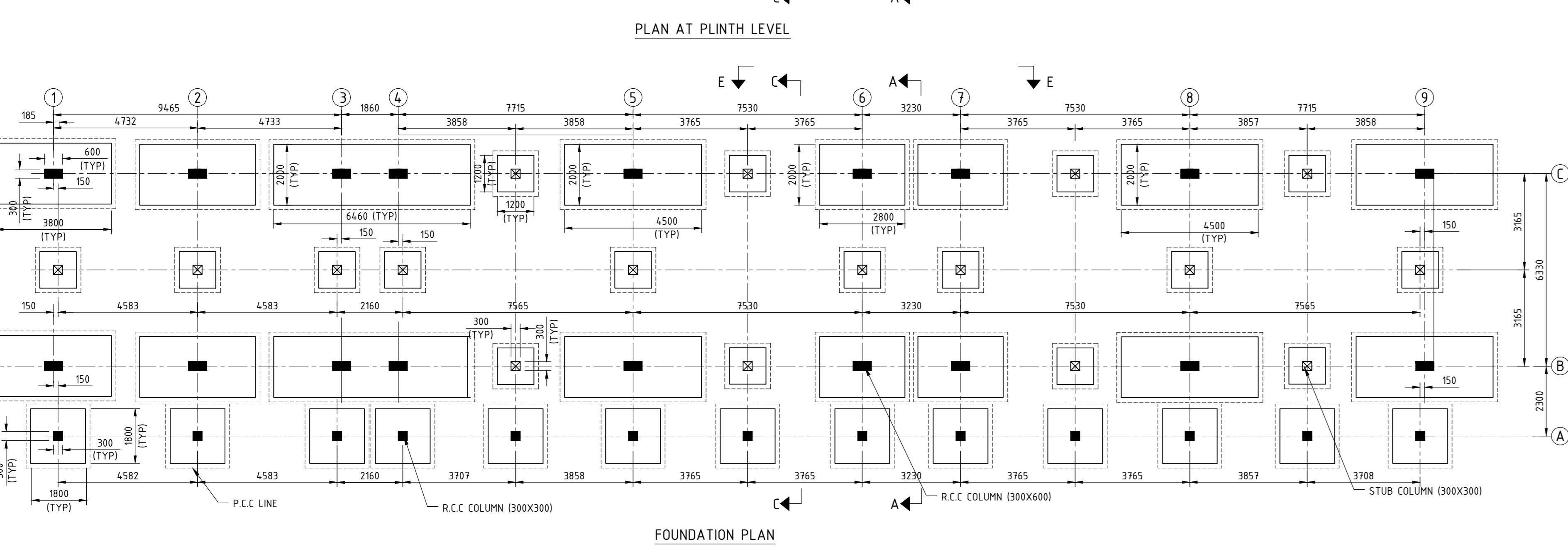
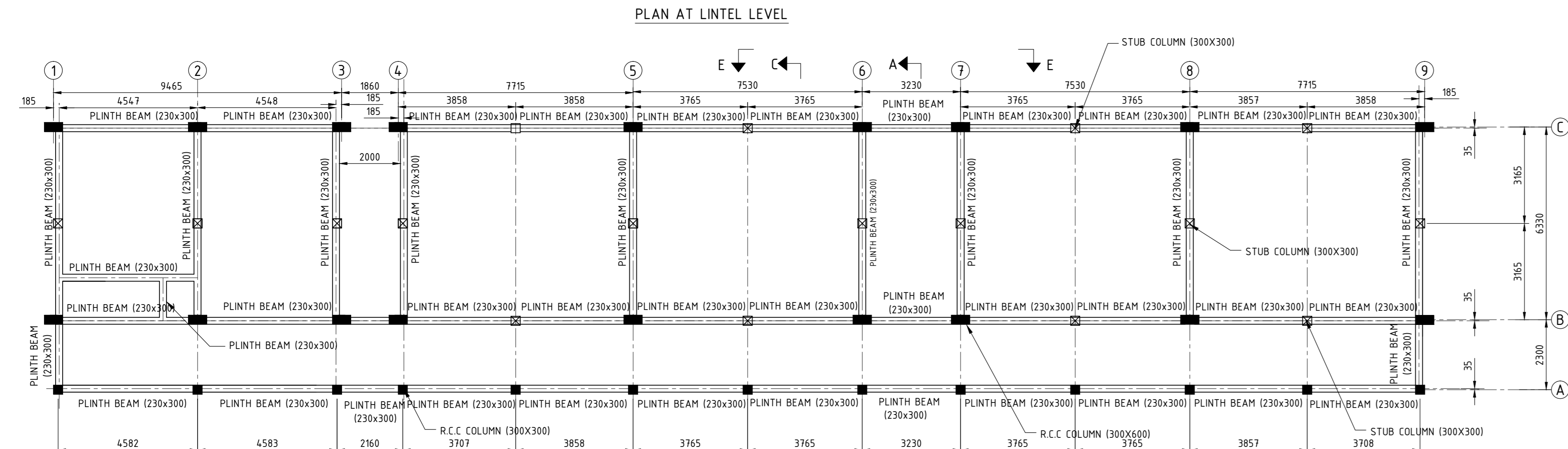
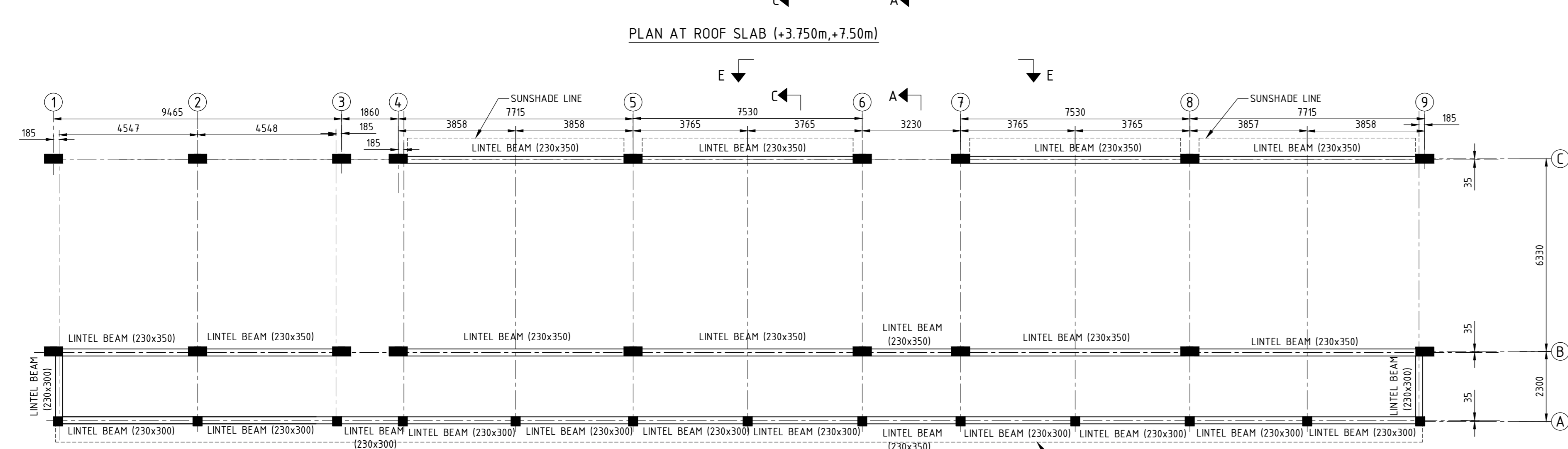
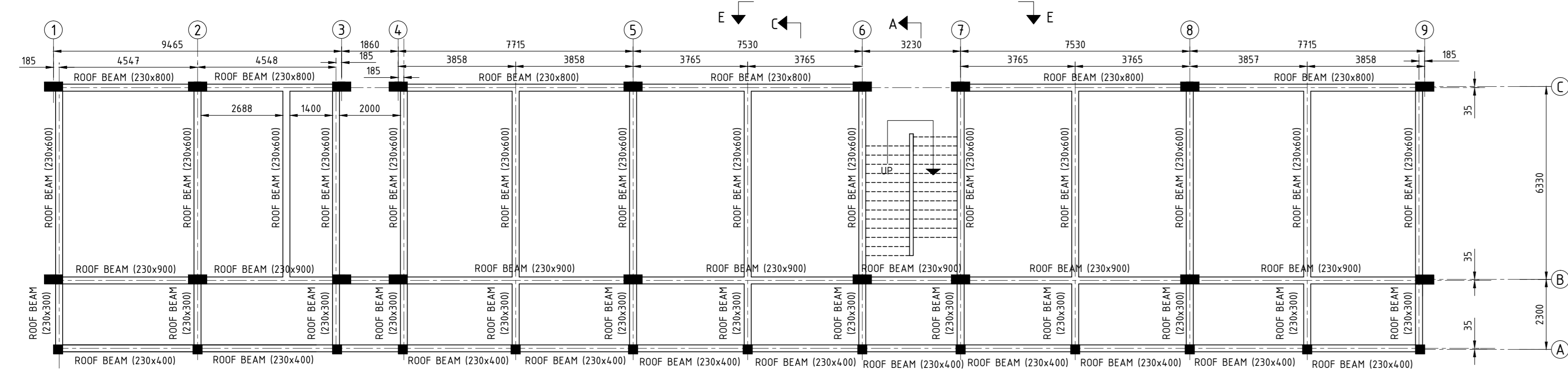
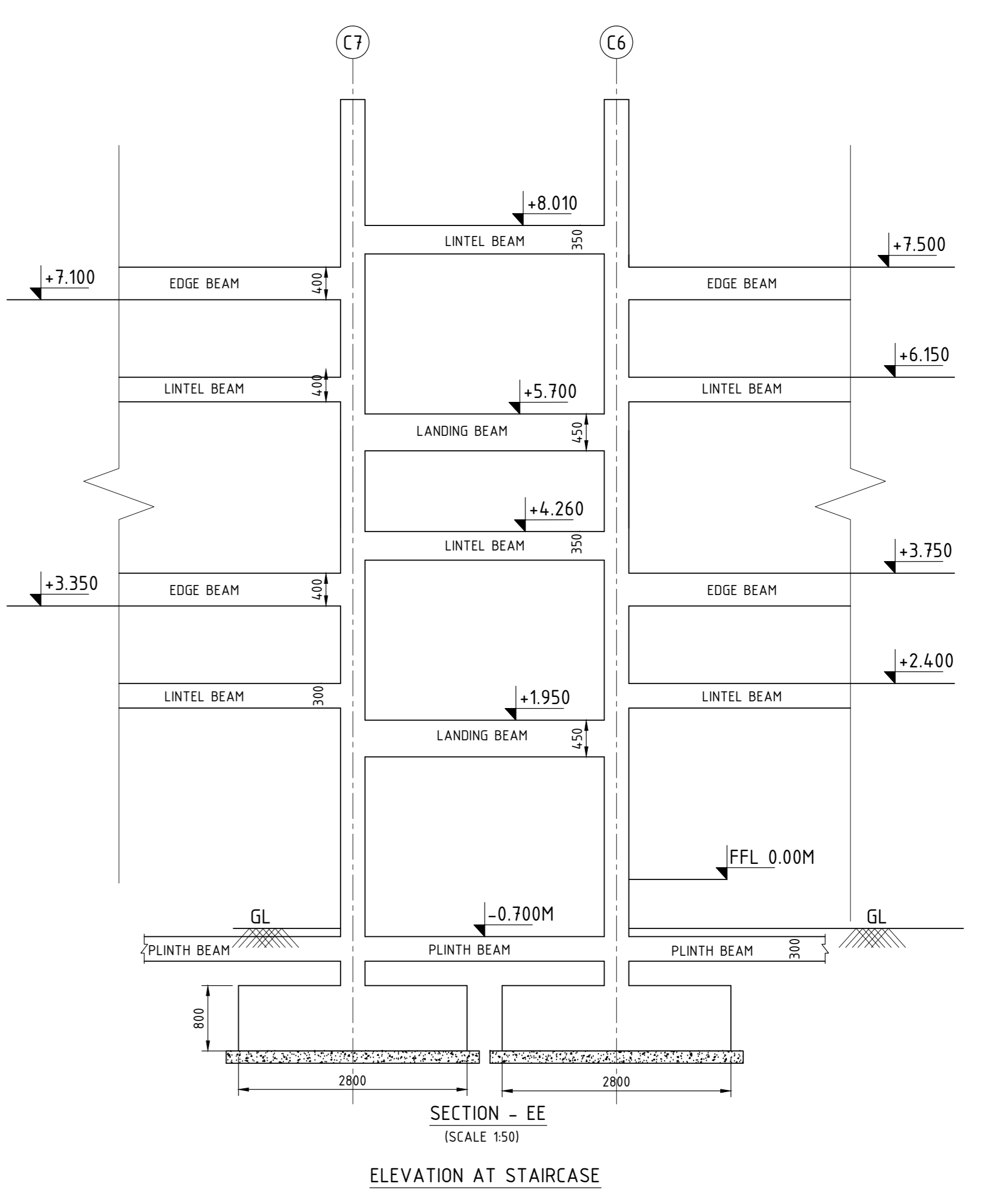
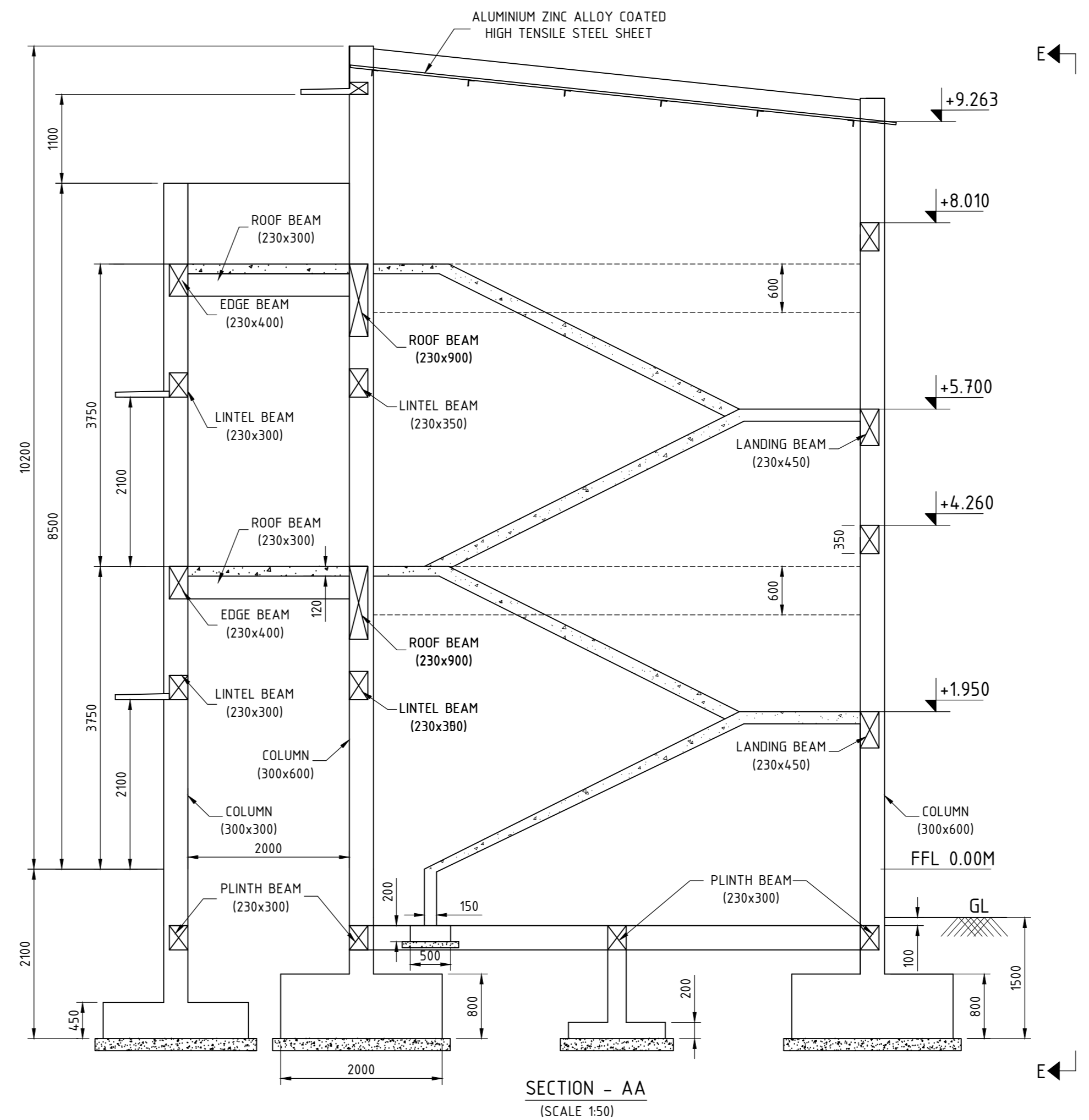
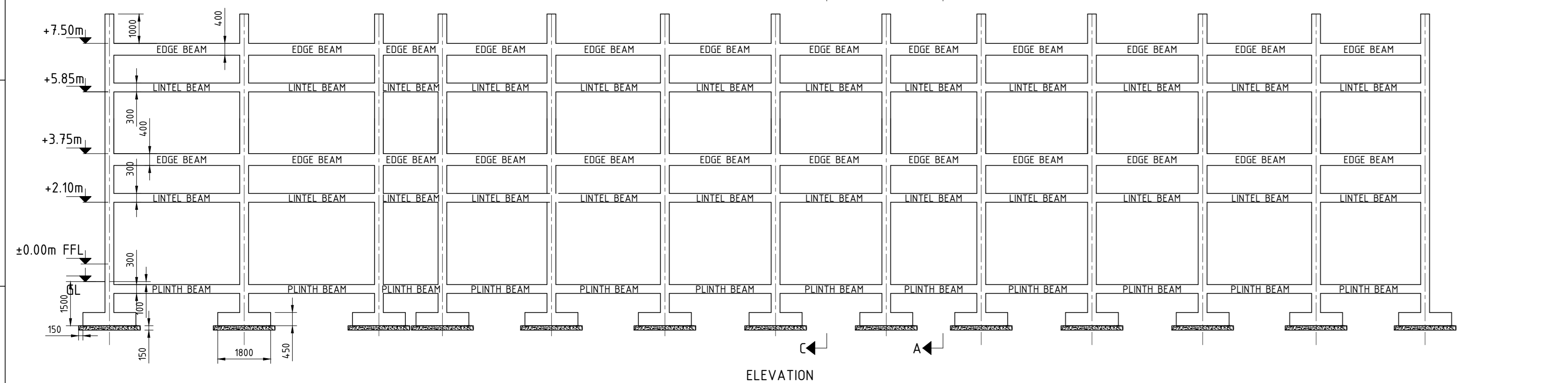
TYPE OF PRODUCT OR NAME OF CUSTOMER/PROJECT		CORPORATE SOCIAL RESPONSIBILITY (CSR) RSK HIGHER SECONDARY SCHOOL			
Bharat Heavy Electricals Ltd UNIT: HIGH PRESSURE BOILER PLANT TIRUCHIRAPPALLI - 620014		DRN	NAME	SIGNATURE	DATE
		CHD	P. SETHALAKSHMI		21.02.2015
		APPO	K. GUNASEKARAN		21.02.2015
DRN	SCALE	WEIGHT (Kgs)	REF TO RST / OLD DRG	FORM NO.	NO. OF
0001	1:10, 1:20, 1:50, 1:100				VAR
0000					
TITLE		CARD CODE	DRAWING NO :	REV	
GENERAL ARRANGEMENT OF PROPOSED CLASSROOMS IN SCHOOL		U 01	0-TP-CEG-01690	00	



FOR TENDER PURPOSE ONLY

- NOTES:-**
- 1) ALL DIMENSIONS ARE IN "MM" & LEVELS ARE IN "M".
  - 2) DO NOT SCALE THE DRAWING FOLLOW WRITTEN DIMENSION ONLY.
  - 3) CONCRETE GRADE M20
  - 4) FOUNDATION IS DESIGNED FOR G+2 STOREYS ONLY.
  - 5) FOR GENERAL ARRANGEMENT DETAILS REFER DRAWING NO. G-TP-CEG-01884
  - 6) FOR DETAILS OF REINFORCEMENT REFER SEPARATE DRAWING.
- GROUND FLOOR:-**
- AREA OF PROPOSED SCHOOL BUILDING - 360.00 SQM.
  - AREA OF STAIRCASE - 22.00 SQM.
  - TOTAL AREA - 382.00 SQM.
- FIRST FLOOR:-**
- AREA OF PROPOSED SCHOOL BUILDING - 360.00 SQM.
  - AREA OF STAIRCASE - 22.00 SQM.
  - TOTAL AREA - 382.00 SQM.

TYPE OF PRODUCT OR NAME OF CUSTOMER/PROJECT		CORPORATE SOCIAL RESPONSIBILITY (CSR) BHEL TAMIL MEDIUM MIDDLE SCHOOL			
	Bharat Heavy Electricals Ltd UNIT: HIGH PRESSURE BOILER PLANT TIRUCHIRAPPALLI - 620014		DRN: K.SANTOSH, DCE DATE: 18.02.2015	SIGNATURE: [Signature] NO. OF VARS:	DRN: P.SEEBALAKSHMI, M.TEN DATE: 18.02.2015
	GPT: CIVIL CODE: 2200	GRADE OF UNIT: ON C/M/F	SCALE: 1:50, 1:100	WEIGHT (Kg)	REF TO RIBST / OLD DWG
TITLE: R.C.C DETAILS FOR PROPOSED CLASSROOMS IN SCHOOL.		CARD CODE: U 01	DRAWING NO: 0-TP-CEG-01772		REV: 00



**FOR TENDER PURPOSE ONLY**

**NOTES:-**

- 1) ALL DIMENSIONS ARE IN 'MM' & LEVELS ARE IN 'M'.
- 2) DO NOT SCALE THE DRAWING FOLLOW WRITTEN DIMENSION ONLY.
- 3) CONCRETE GRADE: M20
- 4) FOUNDATION IS DESIGNED FOR G-2 STOREYS ONLY.
- 5) FOR GENERAL ARRANGEMENT DETAILS REFER DRAWING NO. 0-TP-CEG-01690.
- 6) FOR DETAILS OF REINFORCEMENT REFER SEPARATE DRAWING.

TYPE OF PRODUCT OR NAME OF CUSTOMER/PROJECT		CORPORATE SOCIAL RESPONSIBILITY (CSR) RSK HIGHER SECONDARY SCHOOL			
Bharat Heavy Electricals Ltd UNIT: HIGH PRESSURE BOILER PLANT TIRUCHIRAPPALLI - 620014	DRN	NAME	SIGNATURE	DATE	NO. OF
	APPD	K. GUNASEKARAN		21.02.2015	
SCALE: 1:50, 1:100	WEIGHT (Kg)	REF TO RSKB / OLD DWG			
TITLE: R.C.C DETAILS FOR PROPOSED CLASSROOMS IN SCHOOL	CARD CODE: U 01	DRAWING NO: 0-TP-CEG-01778			REV: 00