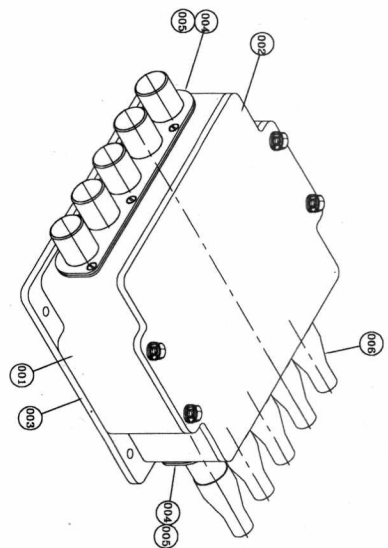
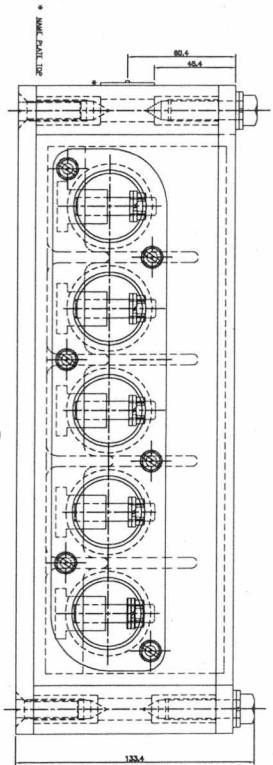
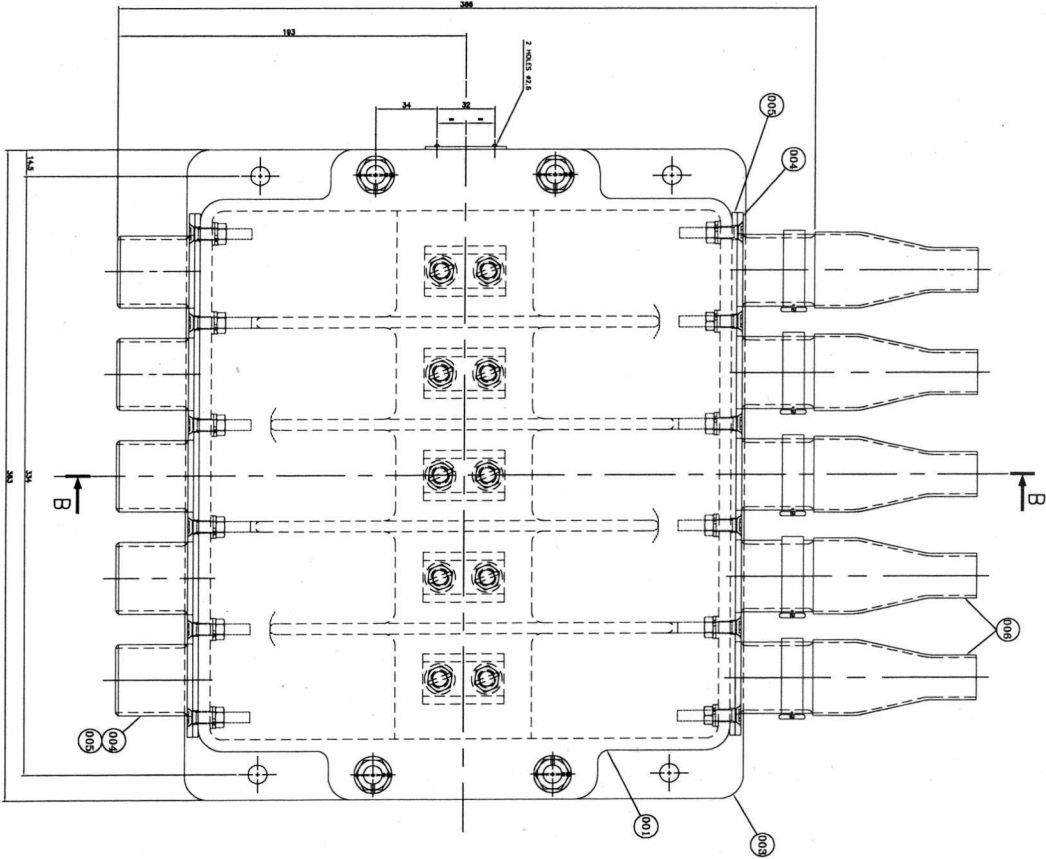
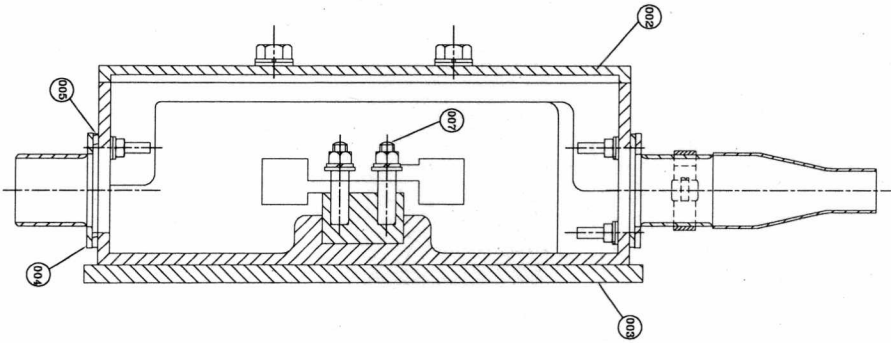


SECTION B-R



ISOMETRIC VIEW

ITEM NO.	DESCRIPTION	QTY	UNIT	REMARKS
001	CONNECTION BOX	1	PC	
002	CONNECTION BOX	1	PC	
003	CONNECTION BOX	1	PC	
004	CONNECTION BOX	1	PC	
005	CONNECTION BOX	1	PC	
006	CONNECTION BOX	1	PC	
007	CONNECTION BOX	1	PC	
008	CONNECTION BOX	1	PC	

DESIGN NO.	D 574 00 3 0014
REV.	01
DATE	01/11/13
BY	...
CHECKED BY	...
APPROVED BY	...
DATE	01/11/13
SCALE	1:1
PROJECT	...
CLIENT	...
INDIAN STANDARDS	...