

**HOSTING DETAILS**Email offer send to: **tender\_ [cell@bheltry.co.in](mailto:cell@bheltry.co.in)**

DESCRIPTION	REMARKS
Contact Person/Address	N.KAVIYARASAN.Dy.Engr/Valves/Purchase
Approved By	Parmanand Lal Deo. Dy.Manager/Valves/Purchase
Email	<a href="mailto:nkavi@bheltry.co.in">nkavi@bheltry.co.in</a> <a href="mailto:pldeo@bheltry.co.in">pldeo@bheltry.co.in</a>
Telephone	<b>0431 2577424/7137</b>
Fax	Not applicable
Notification (Reference) NO.	<b>EN-SSB1348 DUE DT: 31.05.2016</b>
Tender Title	SSB
Tender Type	BUY/SERVICE CONTRACT/WORK CONTRACT
BRIEF DESCRIPTION	<b>As per Annexure -I</b>
Published in Newspaper	NA
Published On	-
Tender Value in Rs.	NA
EMD Value – Rs.	Not applicable
Document Cost – Rs.	Not applicable
Date of Issue of Notification – DD/MM/YY	-
Date of Closure of Sale of Forms – DD/MM/YY	Not applicable
Completed Forms to be submitted by – DD/MM/YY	Not applicable
Date of Opening of Bids – DD/MM/YY	<b>31.05.2016</b>

**TYPE OF TENDER** : OPEN TENDER  
**TENDER OPENING DATE** : 31.05.2016  
**NUMBER OF BIDS** : TWO PART BIDS-(1) TECHNO-COMMERCIAL BID  
(2) PRICE BID  
**DELIVERY PERIOD** : 8 WEEKS  
**LD Clause** : As per BHEL (min.0.5% /week and max 10% of Total PO Value)  
**Payment Terms** : 100% payment after 45 days of acceptance of materials.  
**Delivery Terms** : FOR BHEL (Stores), TRICHY-14

**Tender forwarding Address:**

**Enq.No: EN-SSB1348 / DUE DT: 31.05.2015**  
**TENDER ROOM NO: 26,**  
**BHEL, ADMIN 24 BLDG,**  
**GROUND FLOOR,**  
**BHEL, TRICHY-14**  
**0431-2577742/7424**

			<b>LIMIT SWITCHES / TYPE</b>				<b>20.05.2016</b>
SINo	PGr	PR_Matl	Short Text	Purch Req.	MRP No.	Project	Pegged_Qty
1	SSB	963532830000	LIMIT SWITCH-LR-HD-TYD	112126512	3503014	BFIL HALDIA Unit-1 3X150MW	2.00
2	SSB	963532830000	LIMIT SWITCH-LR-HD-TYD	112126512	3503147	1806-DARLIPALI - UNIT - 1	4.00
3	SSB	963532830000	LIMIT SWITCH-LR-HD-TYD	112126512	3503148	1807-DARLIPALI - UNIT - 2	4.00
4	SSB	963532830000	LIMIT SWITCH-LR-HD-TYD	112126512	3503171	North Karanpura 1	23.00
5	SSB	963532830000	LIMIT SWITCH-LR-HD-TYD	112126512	3503171	North Karanpura 1	8.00
6	SSB	963532830000	LIMIT SWITCH-LR-HD-TYD	112126512	3503171	North Karanpura 1	6.00
7	SSB	963532830000	LIMIT SWITCH-LR-HD-TYD	112126512	3503172	North Karanpura 2	40.00
8	SSB	963532830000	LIMIT SWITCH-LR-HD-TYD	112126512	3503172	North Karanpura 2	8.00
9	SSB	963532830000	LIMIT SWITCH-LR-HD-TYD	112126512	3503172	North Karanpura 2	6.00
10	SSB	963532830000	LIMIT SWITCH-LR-HD-TYD	112126512	3503173	North Karanpura 3	40.00
11	SSB	963532830000	LIMIT SWITCH-LR-HD-TYD	112126512	3503173	North Karanpura 3	8.00
12	SSB	963532830000	LIMIT SWITCH-LR-HD-TYD	112126512	3503173	North Karanpura 3	6.00
13	SSB	963532830000	LIMIT SWITCH-LR-HD-TYD	115109550	3104480	M/s BHUSHAN POWER & STEEL LTD	3.00
14	SSB	963532830000	LIMIT SWITCH-LR-HD-TYD	115109550	3104481	M/s BHUSHAN POWER & STEEL LTD	3.00
15	SSB	963532830000	LIMIT SWITCH-LR-HD-TYD	115109550	3104839	MEPL	2.00
16	SSB	963532830000	LIMIT SWITCH-LR-HD-TYD	115109550	3104839	MEPL	2.00
17	SSB	963532830000	LIMIT SWITCH-LR-HD-TYD	115109550	3104866		2.00
18	SSB	963532830000	LIMIT SWITCH-LR-HD-TYD	115109550	3104866		2.00
19	SSB	963532830000	LIMIT SWITCH-LR-HD-TYD	115109550	3502964	0676-MPCL-UNIT-2	26.00
20	SSB	963532830000	LIMIT SWITCH-LR-HD-TYD	115109550	3502964	0676-MPCL-UNIT-2	6.00
21	SSB	963532830000	LIMIT SWITCH-LR-HD-TYD	115109550	3502964	0676-MPCL-UNIT-2	8.00
22	SSB	963532830000	LIMIT SWITCH-LR-HD-TYD	115109550	3503013	HNPCL VIZAG Unit-2 2X520MW	10.00
23	SSB	963532830000	LIMIT SWITCH-LR-HD-TYD	115109550	3503086	SAGARDIGHI PHASE-II Unit-3 2X500MW	2.00
		<b>963532830000 Total</b>					<b>221.00</b>
24	SSB	963532850400	LIMIT SWITCH-LR-FLPIIA/IIB/ATEX	115094049	3104885	BATMAN REFINERY FIRED EQUIPMENT REV	4.00
25	SSB	963532850400	LIMIT SWITCH-LR-FLPIIA/IIB/ATEX	115094050	3104885	BATMAN REFINERY FIRED EQUIPMENT REV	4.00
		<b>963532850400 Total</b>					<b>8.00</b>
26	SSB	963532880100	LIMIT SWITCH-RB-FLPIIC-1NO+1NC	115077347	3503165	6021-CPCL 1X150TPH UB	6.00
		<b>963532880100 Total</b>					<b>6.00</b>
27	SSB	973661820000	H.D.LMT SWITCH2	115109575	437533		1.00
28	SSB	973661820000	H.D.LMT SWITCH2	115109575	457451		2.00
		<b>973661820000 Total</b>					<b>3.00</b>
		<b>Grand Total</b>					<b>238.00</b>



365 - 148

**PRODUCT ENGINEERING / V&SB  
PURCHASE SPECIFICATION OF  
HEAVY DUTY LIMIT SWITCH FOR  
SOOT BLOWERS  
( NON FLAME PROOF TYPE )**

**SPEC: SB : 0001  
PAGE 01 OF 02**

**REV: 02  
Dt. 18.07.11**

1.0		LIMIT SWITCH HEAVY DUTY TYPE			
1.1	NAME OF SWITCH	REVERSE LIMIT SWITCH	STOP LIMIT SWITCH	WALL BLOWER LIMIT SWITCH	COOLING AIR LIMIT SWITCH
1.2	MATERIAL CODE				
1.2.1	IMPORTED	973539000000	973530210000	973530400000	(I)973661820000 (II)973661820001
1.2.2	INDIGENOUS	963532840000	(I)963532830000 (II) 963532830001	963532820000	-----
1.3	SPECIFICATION				
1.3.1	CONTACT SPECIFICATION	1 NO + 1 NC SPDT, SPRING RETURN	(I)1NO + 1 NC 2 POINT DOUBLE THROW SPRING RETURN (II) 2NO+ 2NC 2 POINT DOUBLE THROW SPRING RETURN	1 NO + 1 NC SPOT, SPRING RETURN	(I)1 NO + 1 NC SPDT, MAINTAINED CONTACT (I)2 NO + 2 NC SPDT, MAINTAINED CONTACT
1.3.2	DIRECTION OF OPERATION	BOTH DIRECTIONS CLOCK WISE & COUNTER CLOCK WISE (CW & CCW)			
1.3.3	CONTACT RATING	MAKE 30 Amps, BREAK 5 Amps.			
1.3.4	EQUIVALENT Sq. D SWITCH TYPE No.	TUD-1	TYD-5	TUA-5	TUD-12
1.3.5	RATING	600V 30 Amps			
1.3.6	DIMENSIONAL DRAWING	4-20-001-00656 STYLE-D		4-20-001-00656 STYLE - A	4-20-001-00656 STYLE - D
1.3.7	APPROXIMATE WEIGHT ( Kg )	1.5		1.14	1.5
1.3.8	ENCLOSURE	IP 65			
1.3.9	OPERATION	ROTARY LEVER OPERATION (LEVER WILL BE PROVIDED BY BHEL TRICHY)			
1.3.10	MOUNTING	SURFACE MOUNTING AS PER DRAWING			
1.3.11	CONDUIT ENTRY THREAD SIZE	M20 X 1.5 (FEMALE)			
1.3.12	ACTION	SNAP ACTION SPRING RETURN			SNAP ACTION MAINTAINED CONTACT
1.3.13	ACTUATION	PROVISION TO BE ENVISAGED TO OPERATE IN BOTH DIRECTIONS (CW & CCW)			
1.3.14	OPERATION/ RETURN TORQUE	11.52 Kg. Cm (10 lb. in.)			9.21 Kg-cm (8 lb.in.)
1.3.15	AMBIENT TEMP.	85° C			
1.4	SPECIAL FEATURES AND CONSTRUCTIONS	(i) BODY DIE CAST ZINC ALLOY (ii) EXTRA HEAVY DUTY CONTACT RATING (iii) HIGHER OPERATING AND RESET FORCES (iv) RUGGED MECHANICAL CONSTRUCTIONS (v) CONTACT TIPS SHOULD BE SILVER (vi) CONTACT BLOCK SHOULD BE PHENOLIC (vii) ALL INTERNALS SHOULD BE ENCLOSED IN NYLON LINER			
1.5	TESTING REQUIREMENTS	TESTING SCHEDULE GIVEN AS PER ANNEXURE - A ( FOR INDIGENOUS SOURCE ONLY)			
1.6	CRITICAL CHECK POINTS				
1.6.1	CHECK POINTS FOS INSPECTION	(i) VISUAL CHECK (ii) DIMENSIONAL CHECK AND MOUNTING DETAILS AS PER DRAWING AND AS PER SPECIFICATION CLAUSE 1.3 (iii) INSPECTION OF THE ABOVE SPECIAL FEATURES AND CONSTRUCTIONS AS PER SPECIFICATION CLAUSE 1.4			
1.6.2	DOCUMENTS REQD. FOR ACCEPTANCE	(i) TYPE TEST CERTIFICATES FOR NEWLY DEVELOPED VENDOR			
1.7	PACKAGING	LIMIT SWITCHES ARE TO BE INDIVIDUALLY PACKED AND DESPATCHED IN THICK PAPER BOXES. (SERVIOL DULETIN SHALL BE KEPT IN EACH BOX) EACH LIMIT SWITCH SHALL HAVE AN IDENTIFIABLE NUMBER.			
1.8	STORAGE	IT SHALL BE STORED UNDER CLOSED AREA. EXPOSING TO ATMOSPHERIC CONDITION WILL DAMAGE THE EQUIPMENT.			
<b>NOTE : THIS SUPERSEDES PREVIOUS SPEC: TSB : 017 &amp; 74.</b>					
REV 02.	CODE 973661820001 INCLUDED ON 18.07.2011				
Prepared (J.SANKAR)	Checked (RAVINDER SINGH)	Approved (K.SRIDHARAN)			



365 - 148

**PRODUCT ENGINEERING / V&SB  
PURCHASE SPECIFICATION OF  
HEAVY DUTY LIMIT SWITCH FOR  
SOOT BLOWERS  
( NON FLAME PROOF TYPE )**

**SPEC: SB: 0001  
PAGE 02 OF 02**

**REV:02  
Dt. 18.07.11**

**ANNEXURE - A  
TEST SCHEDULE FOR HEAVY DUTY LIMIT SWITCHES**

THE FOLLOWING TYPE TESTS SHOULD BE CARRIED ON EVERY ONE SWITCH IN 100 FROM THE LOT PRODUCED IN THE PRESENCE OF INSPECTING AGENCY .

(a) WATER PROOF TEST, (b) TEMPERATURE TEST, (c) RATING TEST

**(a) WATER PROOF TEST (AS PER NEMA Std. 4) :**

IN ORDER TO ENSURE THAT THE SWITCH IS WATER PROOF, THE SWITCH WILL BE TESTED BY WATER JET APPLIED ON ALL THE SIDES OF THE SWITCH FOR 5 MINUTES. THE SWITCH IS THEN OPENED TO FIND OUT THE PRESENCE OF ANY INGRESS OF MOISTURE IN THE SWITCH OR ANY OF ITS WORKING PARTS.

**b) TEMPERATURE TEST:**

THE SWITCH IS KEPT IN A OVEN WHICH IS SET AT A TEMPERATURE OF 85°C UNDER HUMID CONDITIONS (WITH THE AVAILABLE FACILITY AT SUPPLIER'S WORKS) FOR ONE HOUR. THEN THE SWITCH IS REMOVED FROM THE OVEN AND TESTED FOR ITS FUNCTION GIVING 100 CYCLES UNDER LOADED CONDITIONS.

**c) RATING TEST:**

THE RATING TEST WILL CONSIST OF TEST WHEN THE SWITCH WILL BE SUBJECTED TO 6000 CYCLES OF OPERATION MAKING AND BREAKING A CIRCUIT AT RATED VOLTAGE AND LOAD. THE FIRST 1000 CYCLES SHALL BE AT THE RATE OF ONE CYCLE PER SECOND EXCEPT THAT THE FIRST 10 TO 12 OPERATION SHALL BE MADE AS RAPIDLY AS POSSIBLE. IN THE REMAINING 5000 CYCLES SHALL BE AT THE RATE OF 6 CYCLES PER MINUTE. MANUAL SLOW RELEASE AND SNAP ACTION TESTS SHALL BE CONDUCTED ON THIS TEST L. S.

**II. ROUTINE TEST ( 100 % ):**

ALL THE LIMIT SWITCHES ARE TO BE TESTED FOR THE FOLLOWING IN THE PRESENCE OF INSPECTING AGENCY.

- (a). PRE TRAVEL
- (b). DIFFERENTIAL TRAVEL
- (c). RESET
- (d). TOTAL TRAVEL
- (e). OPERATING TORQUE
- (f). CONTINUITY
- (g). INSULATION RESISTANCE ( SHOULD NOT BE LESS THAN 5 MEGA OHMS )
- (h). MANUAL SLOW RELEASE TEST. THE CONTACT SHOULD MAKE AND BREAK WITH SMOOTH OPERATION. IF THE CONTACT STOPS IN OPERATION THE L. S. SHOULD BE REJECTED.
- (i). SNAP ACTION TEST
- (j). HIGH VOLTAGE TEST AT 2 KV FOR 2 MINUTES.

TO MEASURE THE ABOVE PRE TRAVEL, DIFFERENTIAL TRAVEL, RESET, TOTAL TRAVEL, THE ASSEMBLED SWITCH IS MOUNTED IN A FIXTURE. THE DETAILS OF 4 PARAMETERS ( a TO d ) MENTIONED ABOVE IS EASILY UNDERSTOOD WITH A REFERENCE TO DRAWING. NO. : 4-20-001-01130. WITH LATEST REVISION.

REV 02. CODE 973661820001 INCLUDED ON 18.07.2011

Prepared (J.SANKAR)

Checked (RAVINDER SINGH)

Approved (K.SRIDHARAN)



# BHARAT HEAVY ELECTRICALS LTD

VALVES PURCHASE  
Trichy - 620 014. India

## Terms and Conditions-Check list

<u>BHEL Terms and conditions</u>	<u>Vendor confirmation</u>
<b>a. Terms of Payment:</b> <u>Indigenous:</u> 100% payment after 45 days on acceptance of material.	
<b>b. Liquidated Damage:</b> A sum equivalent to 0.5% of price for each week of delay up to a maximum of 10% of the total value.	
<b>c. Delivery Terms:</b> Price should be quoted <b>FOR BHEL Trichy</b> only. Freight should be included in the offer.	
<b>d. Validity of Offer:</b> Prices should be valid for 120 days from the date of opening of this tender.	
<b>e. Risk Purchase:</b> Alternatively the purchaser at his option will be entitled to terminate the contract and to purchase elsewhere at the risk and cost of seller either the whole of goods or any part which the supplier has failed to deliver or dispatch within the time stipulated as aforesaid or if the same were not available, the best and the nearest available substitute therefore. Supplier shall be liable for any loss which the purchaser may sustain by reason for such risk purchases in addition to penalty.	
<b>f. Miscellaneous:</b> Any condition which might have been quoted by the seller and are in contravention to the terms prescribed in order and which have not been specifically accepted by Purchaser will not be applicable to the contract.	
<b>g. Delivery period:</b> Delivery schedule shall be strictly as per BHEL tender requirement which are as indicated against each item in our tender.	
<b>h. Inspection:</b> material should be inspected as per standards/BHEL specification.	
<b>i. Schedule of Deviation:</b> Schedule of deviation should be signed and filled with offer in below format	

## SCHEDULE OF DEVIATIONS

Enq Ref:

Offer Ref:

Date:

### **Commercial Deviation:**

Clause No.	Description	Supplier Deviation

### **Technical Deviation:**

Clause No.	Description	Supplier Deviation

We confirm acceptance of all the Technical and Commercial requirements as per BHEL Tender, except the above deviations.

Signature with Seal





**PRODUCT ENGINEERING / V & SB**  
**TECNICAL DELIVERY CONDITIONS FOR**  
**SUBDELIVERY COMPONENTS OF SOOT BLOWERS**

TSB : 071

Rev. 07

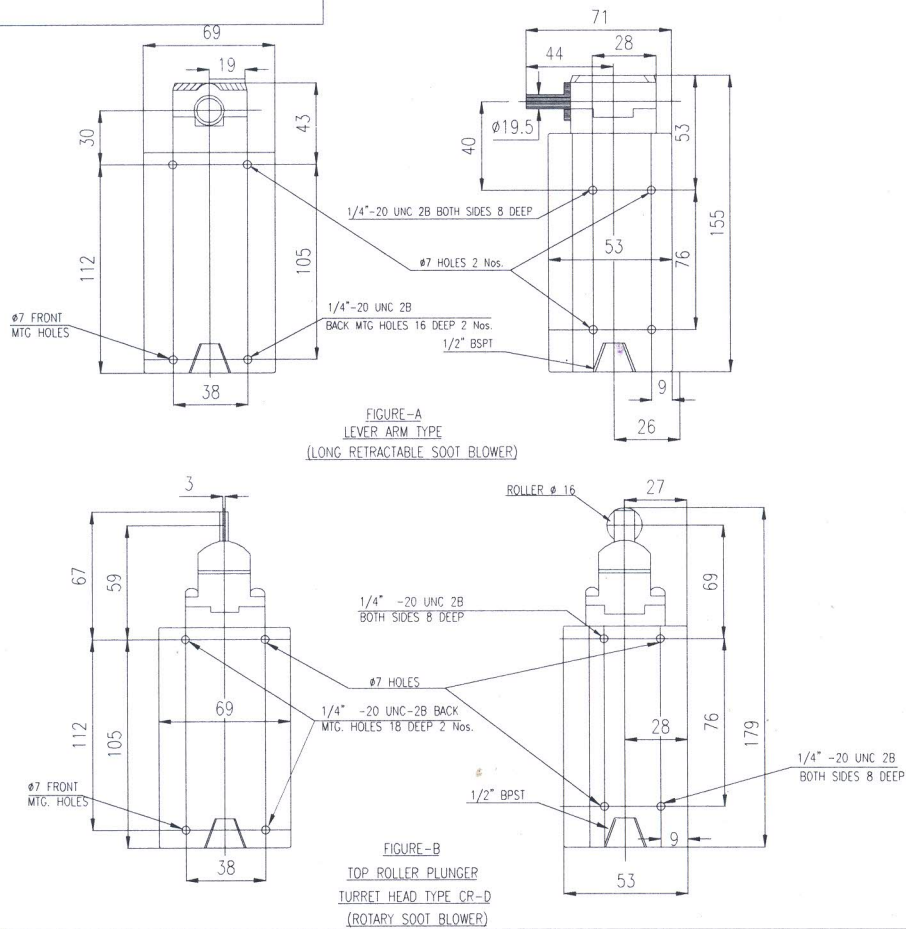
SHEET No. 02 of 02

CAUTION: The information on this document is the property of BHARAT HEAVY ELECTRICALS LTD. It must not be used directly or indirectly in any way detrimental to the interest of the company.

REV	DATE	ALTERED
		CHD & APPD

ALL DIMENSIONS ARE IN MILLIMETRES.  
 FOR TOLERANCES OF UNTOLERANCED DIMENSIONS DURING MANUFACTURE REFER RELEVANT QCP/QP

**ANNEXURE-1**  
**DIMENSIONAL DETAILS OF FLAME PROOF LIMIT SWITCHES**



NO OFF	DESCRIPTION	MATL CODE	MATL SPECN	HEAT TREATMENT	SCRAP SORT	NET WT (kg)	GROSS WT (kg)	DRAWING No	ITEM No
	<b>BHARAT HEAVY ELECTRICALS LTD.,</b> UNIT: HIGH PRESSURE BOILER PLANT. TIRUCHIRAPALLI 620014.				DRN	NAME J.SANKAR	SIGN J.S	DATE 22.02.16	NO. OF VAR
					CHD	S.K.GUPTA	S.K.G	22.02.16	
						APPD	HIRENDRA RAUT	H.R	22.02.16
DEPT	SB		SCALE	WEIGHT (KG).	REFERENCE INFORMATION				NO. OF ITEMS
CODE	330		NTS	—	TSB 071				
TITLE					CARD CODE	DRAWING NO.			REV
<b>DETAILS OF FLAME PROOF            LIMIT SWITCH</b>					U 01	4-20-831-04014 00			

Size A4



# BHARAT HEAVY ELECTRICALS LTD

Valves/Purchase, Tiruchirappalli-620014, INDIA

## TERMS & CONDITIONS

Phone: 0431 257 7137/7424

Email: [nkavi@bheltry.co.in](mailto:nkavi@bheltry.co.in)

[pldeo@bheltry.co.in](mailto:pldeo@bheltry.co.in)

### 1. QUOTATIONS:

- a. **Submission of Tender:** Each offer should be sent in double cover separately and the same should be sealed and super scribed with correct Tender No., item of supply and due date of opening. Two or more quotations should not be sent in one cover. Price Bid should contain only Price in Rs per unit for each type. Tender should not be addressed to any individual's name but only by designation as below:

TENDER ROOM NO-26, BUILDING 24,  
HIGH PRESSURE BOILER PLANT  
BHARAT HEAVY ELECTRICALS LIMITED  
TIRUCHIRAPPALLI - 620 014, TAMILNADU, INDIA

- b. **Late tenders:** Late tenders shall not be considered under any circumstance.
- c. **Regulations:** Tender should be accompanied by detailed technical literature, Catalogue and detailed dimensional drawings in ENGLISH. Tenders should be free from CORRECTION AND ERASURES. Corrections if any must be attested. All amounts shall be indicated both in words as well as figures. Where there is difference between amount quoted in words and figures, amount quoted in words shall prevail.
- d. **Two Bid Systems:** The offers are invited in twopart bid system (Techno commercial & price Bid). First the Techno Commercial bid will be opened. Techno-commercially suitable vendors alone will be intimated for price bid opening or Reverse Auction.
- e. **PVC:** Price Variation clause not acceptable. Prices should be firm.
- f. **Catalogue:** Manufacturer's name, Trade Mark or Patent No. if any should be specified. Illustrative leaflets giving technical particulars are required along with quotation wherever necessary.
- g. **Acceptance:** The purchaser shall be under no obligation to accept the lowest or any other tender and shall be entitled to accept or reject any tender in part or full without assigning any reason whatsoever.
- h. **Samples:** Samples should be submitted separately if specially requested in tender before due date of the enquiry. They should be clearly marked with the enquiry No and date on the outside cover to facilitate identification.
- i. **Spares:** The tenderer should quote separately for spares that are required for two years trouble free operation. The spares offer should accompany the offer of main equipment; otherwise the quotation will be overlooked.

### 2. COMMERCIAL TERMS & CONDITIONS:

- a. **Terms of Payment:**  
**For Indigenous Suppliers:** 100% after 45 days on satisfactory receipts and acceptance of material at BHEL stores/ Site acknowledgement.  
**For Import Suppliers:** 100% payment against presentation of documents through Bank.  
No other payment term is acceptable to BHEL.
- b. **Liquidated Damage:** A sum equivalent to 0.5% of price for every week up to a maximum of 10% for total PO values
- c. **Delivery Terms:**  
**For Indigenous Suppliers:** EXW as mentioned in enquiry inclusive of freight and insurance. FOR BHEL TRICHY  
**For Import Suppliers:** FOB nearest SEA Port/FCA nearest AIR port.
- d. **Validity of Offer:** Prices should be valid for 60 days.
- e. **Taxes & Duties:** If any Sales Tax is payable as extra to the quoted price, it should be specifically stated in quotation along with CST & T.N.G.S.T No. failing which the purchaser will not be liable for payment of Sales Tax. Our T.N.G.S.T No. 3550005 Dated 01-04-1995 C.S.T. No. 259383 Dt. 11.06.1991 . Quoted prices should be exclusive of taxes and duties.
- f. **Guarantee Clause:** The vendor shall give a guarantee for the performance of his supplies for a period of eighteen months from the date of dispatch or twelve months from the date of commissioning whichever is earlier.
- g. **Risk Purchase:** Alternatively the purchaser at their option will be entitled to terminate the contract and to purchase elsewhere at the risk and cost of seller either the whole of goods or any part which the supplier has failed to deliver or dispatch within the time stipulated as aforesaid or if the same were not available, the best and the nearest available substitute therefore. Supplier shall be liable for any loss which the purchaser may sustain by reason for such risk purchases in addition to penalty at the rate mentioned in clause 2.b above.
- h. **Preferential Delivery:** If a contract is placed on a higher tender as a result of this invitation to tender in preference to the lowest acceptable offer in consideration of the earliest delivery, the seller will be liable to pay to the purchaser the difference between the contract rate and that of the lowest acceptable tender on the basis of final price FOR destination, including all elements of freight, sales tax, duties and other incidents, incidental in case of failure to



# BHARAT HEAVY ELECTRICALS LTD

Valves/Purchase, Tiruchirappalli-620014, INDIA

## TERMS & CONDITIONS

Phone: 0431 257 7137/7424

Email: [nkavi@bheltry.co.in](mailto:nkavi@bheltry.co.in)

[pldeo@bheltry.co.in](mailto:pldeo@bheltry.co.in)

complete supplies in terms of such contract within the date of delivery specified in the tender and incorporated in the contract.

- i. **MODVAT/CREDIT:** If any Excise Duty is payable, the chapter head/sub-head reference and the rate of the duty should be quoted. If the tender is availing MODVAT credit for his input materials, the effect of proforma invoice should be passed on to the purchaser.
- j. **Miscellaneous:** Any Other conditions which might have been quoted by the seller and are in contravention to the terms prescribed, the order and which have not been specifically accepted in by Purchaser will not be applicable to the contract.
- k. **Delivery:** Delivery schedule shall be strictly as per BHEL tender requirement which are as indicated against each item in our tender. If supplier offers more than this delivery period BHEL will operate 0.5% loading factor for evaluation of their offer for every week delay.
- l. **Performance Bank Guarantee:** If tender Calls for Performance Bank Guarantee, Vendor should provide a performance bank guarantee (PBG) for 10% of the total Purchase order value valid for warranty/guarantee period with an additional claim period of 2 months.
- m. **Counter offer:** BHEL reserves the right to counter offer with vendors other than L1, in order to have broader vendor base for ensuring delivery. Counter offering will be restricted to 03 vendors, L1 vendors, as finalized, shall be counter offered to the other bidders. In case any bidders do not accept the L1 rates, the counter offer may be extended to other bidders.
  - (i) If one vendor alone accepting the counter offer rates, loading shall be 60:40 on L1:L2.
  - (ii) If two vendors are accepting the counter offer rates, loading shall be 50:30:20 on L1:L2:L3.
  - (iii) If three vendors are accepting the counter offer rates, loading shall be 40:30:20:10 on L1:L2:L3 & L4.
  - (iv) If four vendors are accepting the counter offer rates, loading shall be 40:20:15:15:10 on L1:L2:L3, L4 & L5.
  - (v) Highest rate bidder will not be considered for this tender, in case of more than four responses for each enquiry serial numbers.

n. **Reverse Auction:** BHEL reserves the right to go for a Reverse Auction (RA) instead of Opening the price bid, which will be decided after techno-commercial bid evaluation. Information and general terms and conditions governing RA are given below:-

### GENERAL TERMS AND CONDITIONS OF RA

Against this enquiry for the subject item/system with detailed scope of supply as per enquiry specifications, BHEL may resort to "REVERSE AUCTION PROCEDURE" i.e., ON LINE BIDDING ON INTERNET.

- a. For the proposed reverse auction, technically and commercially acceptable bidders only shall be eligible to participate.
- b. BHEL will engage the service provider who will provide all the necessary training and assistance before commencement of on line bidding on internet.
- c. BHEL will inform the vendor in writing in case of reverse auction, the details of Service Provider to enable them to contact & get trained.
- d. Business rules like event date, time, Start price, bid decrement value; extensions etc. also will be communicated through service provider for compliance.
- e. Vendors have to mail/fax the Compliance form in the prescribed format (provided by the Service provider) before the start of the Reverse auction. Without this, the vendor will not be eligible to participate in the event.
- f. BHEL will provide the calculation sheet (e.g., EXCEL sheet) which will help to arrive at "Total Cost to BHEL" like Packing & forwarding charges, Taxes and Duties, Freight charges, Insurance, Service Tax for Services and loading factors (for non-compliance to BHEL standard Commercial terms & conditions) for each of the vendor to enable them to fill-in the price and keep it ready for keying in during the Auction.
- g. Reverse auction will be conducted on the scheduled date & time.
- h. At the end of Reverse Auction event, the lowest bidder value will be known on the network.
- i. The lowest bidder has to mail/fax the duly signed Filled-in prescribed format as provided on case-to-case basis to BHEL through Service provider within 24 hours of Auction without fail.
- j. Any variation between the on-line bid value and the signed document will be considered as sabotaging the tender process and will invite disqualification of vendor to conduct business with BHEL as per prevailing procedure.

### 3. GENERAL CONDITIONS

- a. All items shall be supplied as per the Purchase Specifications mentioned in our Enquiry to the latest applicable revision / Drawing
- b. BHEL reserves the right to finalize the tender as per item sl no wise or as a total package or project wise. Separate orders will be released for each project and documents should be supplied for each order separately.



# BHARAT HEAVY ELECTRICALS LTD

Valves/Purchase, Tiruchirappalli-620014, INDIA

## TERMS & CONDITIONS

Phone: 0431 257 7137/7424

Email: [nkavi@bheltry.co.in](mailto:nkavi@bheltry.co.in)

[pdeo@bheltry.co.in](mailto:pdeo@bheltry.co.in)

- c. BHEL reserves the right to increase or reduce or split the Tender Quantity and to NOT to order for some or all material based on the changes in project.
- d. BHEL shall have the right to visit vendor works during the execution of contract along with end customer for verifying status, inspection and testing of the material.
- e. BHEL reserves the right to negotiate or re-float the tender in case the quoted prices are not acceptable.
- f. Supplier shall arrange packing to avoid lose or damages during Road Transport, Site handling & Storage.
- g. Purchase Order, PO Item SI No, Material code, Quantity should marked the Packing clearly.
- h. Confirmation for compliance is to be given in the offer for all the conditions specified above and to the respective Purchase Specification.
- i. Vendors shall give dispatch schedule to BHEL for various items against the pending orders once in 15 days.

#### **4. DOCUMENTATION:**

##### **For Indigenous suppliers:-**

- a. **With Consignment:** Duplicate for transporter copy of Invoice, Packing List, Delivery Challan, O&M manual Material Test Certificate, Test Certificates, Calibration Report, Compliance Certificate & Guarantee/Warranty Certificate etc...
- b. **Online Submission:** Supplier should upload the soft copy of all Test Certificates in BHEL website <http://vis.bheltry.co.in/vis/index.jsp> at Vendor information system tab.
- c. **To Finance:** Original and Duplicate Invoice for payment with GR reference ,should be sent directly to  
**Sr Manager/Finance/Valves-Bills section**  
**HPBP BHEL Tiruchirappalli-620014, Tamilnadu.**

##### **To Purchase:**

- i. **FOR BHEL TRICHY case-**Copy of Invoice, Packing list, LWB and Delivery challan for reference, original IBR documents/Inspection despatch clearance certificates
- ii. **FOR Site case-** Original Excise Invoice, Original LWB, Original Packing List, Original IBR documents, Original despatch clearance Certificate, Original Inspection report, Test certificates as per PO,Original Site Acknowledgment etc...
- d. **Identification:**, Purchase Order, PO item SI No, Material code, quantity, Unique SI No if any should be provided in all despatch documents, materials and packing clearly.



**BHARAT HEAVY ELECTRICALS LIMITED**  
( A Govt. of India Undertaking )  
High Pressure Boiler Plant  
Tiruchirapalli 620 014

**PURCHASE VALVES**  
(To be filled and submitted along with Offer)

**BHEL Commercial Terms and Conditions for  
INDIGENOUS SUPPLIERS FOR RC / NON RC – TWO BID SYSTEM  
To be furnished along with offer**

Technical confirmation to BHEL's Specification as called for in BHEL Format shall be furnished. If needed additional sheets shall be used.		Vendor's Confirmation / Comments
<b>Tender opening Route :</b>	<b>Tender opening consists of two part systems viz:</b> 1. Techno Commercial Bid & 2. Price Bid.  Techno Commercial Bid will be opened First.  After scrutiny and evaluation of Techno Commercial offers, the Price bid will be opened with due intimation to vendors.	
<b>Offers :</b>	Offers should be submitted only in a sealed cover super-scribing clearly the Enquiry No. and due date.	
<b>Prices :</b>	<b>Prices</b> shall be <b>quoted item/s wise</b> to BHEL Material code wise and <b>FIRM PRICE</b> basis only as per the BHEL Enquiry.	
<b>Offers :</b>	Offers should be submitted only in a sealed cover super-scribing clearly the Enquiry No. and Enquiry due date.	
<b>Validity of offer for NON-RC Items.</b>	<b><u>VALIDITY OF OFFER FOR NON--RC--ITEMS:</u></b> Minimum for a period of <b>120 days</b> from the date of Tender opening (or) Finalization of tender.	
<b>Validity of offer for RC items</b>	<b><u>VALIDITY OF OFFER FOR RC--- ITEMS:</u></b> Minimum for a period of <b>1 year (One year)</b> from the date of Tender opening (or) Finalization of tender.	
<b>Delivery Terms :</b>	FOR / BHEL / TRICHY basis only inclusive of P & F, Insurance and other charges if any.	
<b>Delivery period :</b>	Indicate the early delivery period in the offer	
<b>Liquidated damages :</b>	LD @ 0.5 % per week subject to a maximum of 10% of the order value shall be levied for Total PO value.	

**BHEL Commercial Terms and Conditions for  
INDIGENOUS SUPPLIERS FOR RC / NON RC – TWO BID SYSTEM  
To be furnished along with offer**

<b>Confirmation to BHEL'S Drawing / Specn. / TDC</b>	Item-wise confirmation to BHEL's Drawing/s / Specification / TDC is required in the offer itself.	
<b>Inspection :</b>	Final inspection by BHEL Inspector at BHEL, Trichy.	
<b>Inspection Charges</b>	Please indicate the Inspection charges if any in the offer itself and indicate the details of Inspection Agency.	
<b>Payment Terms :</b>	100% payment will be made after 45 days on acceptance of materials at our Stores.	
<b>Excise Duty : (ED)</b>	Indicate the Excise duty (ED) and Cess in the offer clearly if applicable. (ED 12.5%)	
<b>CST Tax Details :</b>	Indicate the CST - details in the offer clearly if applicable.	
<b>VAT Tax Details :</b>	Indicate the VAT - details in the offer clearly if applicable. (VAT 5% OR 14.5%)	
<b>Risk Purchase clause</b>	Risk Purchase shall be applicable as per BHEL Terms and Conditions. The Purchaser at his option will be entitled to terminate the contract and to purchase elsewhere at the risk and cost of the seller either the whole of the goods or any part which the supplier has failed to deliver or dispatch within the time stipulated or if the same were not available, the best and the nearest available substitute therefore.	
	The supplier shall be liable for any loss which the Purchaser may sustain by reason of such risk purchases	
<b>Guarantee :</b>	The equipment shall be guaranteed for a period of 12 months from the date of commissioning.	
<b>Warranty</b>	Any warranty replacement during warranty period shall be supplied free of cost on FOR / BHEL, Trichy basis.	
<b>Documents:</b>	The vendor shall provide necessary Invoice, Delivery challan, drawings, Test Certificates, Guarantee Certificates, Operating Maintenance Manuals and etc., as called for in the Technical Specification, in the required number of copies at no extra cost.	
<b>NOTE :-</b>	It is confirmed that all the terms and conditions stipulated in the Enquiry have been fully understood by us and all clarifications and details have been obtained.	

Signature & Office Seal of the vendor