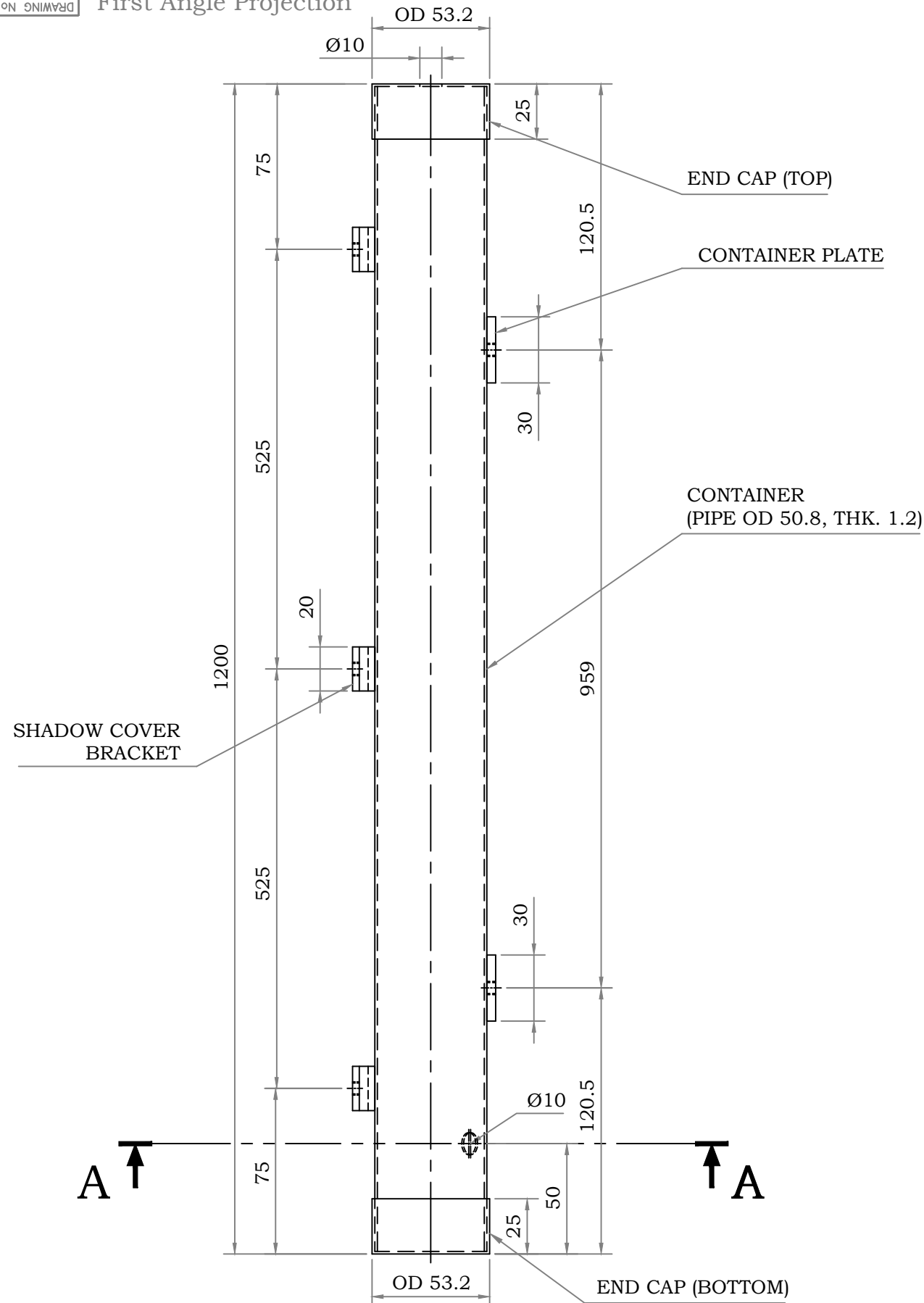


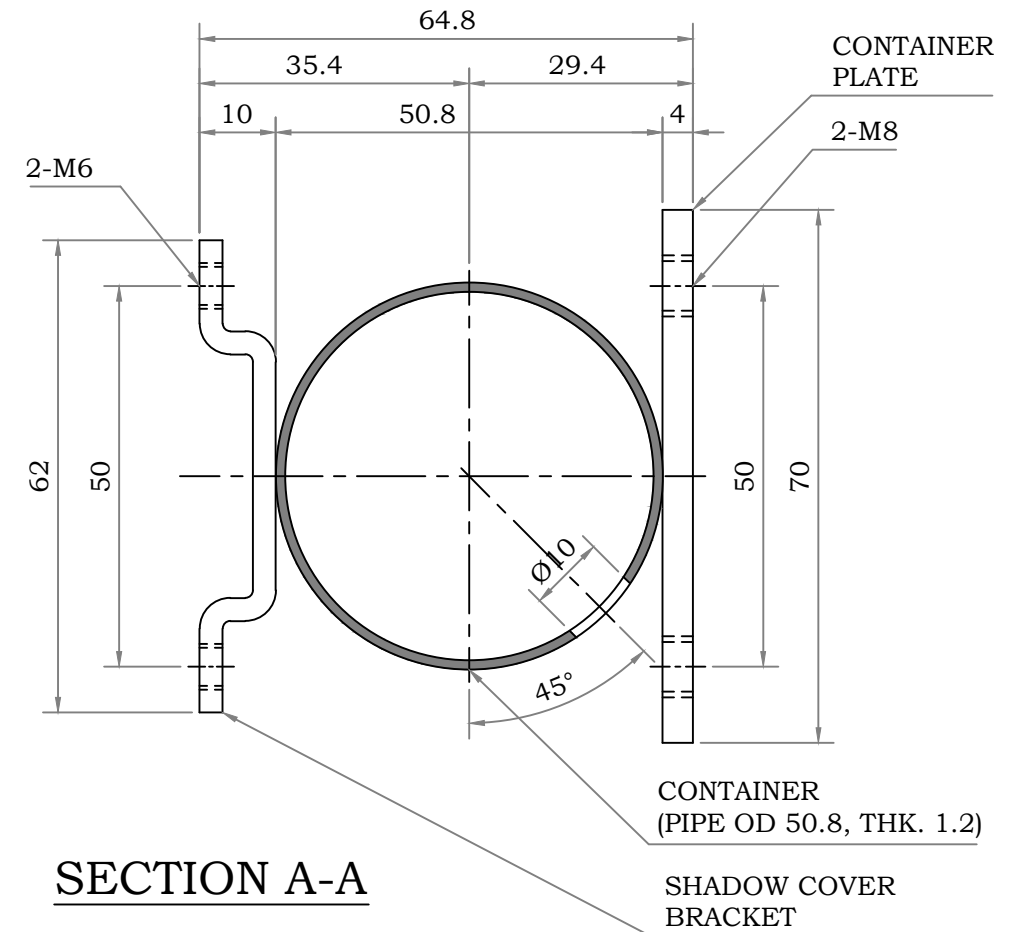
The information on this document is the property of BHARAT HEAVY ELECTRICALS LIMITED. It must not be used directly or indirectly in any way detrimental to the interest of the company.

00-33-29-72-33-00
DRAWING No.

First Angle Projection



All dimensions are in MM



SECTION A-A

NOTE:

REFER **DRAWING No. 3-13-572-62-33-01, CONTAINER PARTS (LEFT SIDE)** FOR MATERIAL, QUANTITY AND DETAILING OF PARTS.

MATERIAL : SS 202
QUANTITY : 36 Nos.

ITEM No.	DESCRIPTION	DRAWING No.	MTL. SPCN.	QTY.	UNIT WT. (Kg.)
			MTL. CODE		

TYPE OF PRODUCT OR NAME OF THE CUSTOMER/PROJECT: **Field Demonstration of 100 kWp SPV System with Solar Thermal Sun Trackers**

BHARAT HEAVY ELECTRICALS LTD. CORPORATE RESEARCH AND DEVELOPMENT	NAME	SIGN	DATE	No. OF VAR
	DRN	KVPR RAO		
	CKD	SURYA ASP		
	APPD	M R PAWAR		

DEPT FCR	MATERIAL SS 202	SCALE NTS	TOTAL WT. (Kg.)	REF. TO ASSY. DRG.	ITEM No.	No. OF ITEM
CODE 62						

TITLE CONTAINER (LEFT SIDE) (50 kWp HORIZONTAL AXIS PASSIVE TRACKERS)	DRAWING No. 3-13-572-62-33-00	REV. 0
SHT. No.	No. OF SHTS.	