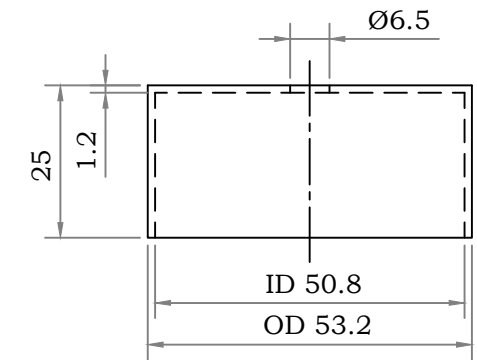
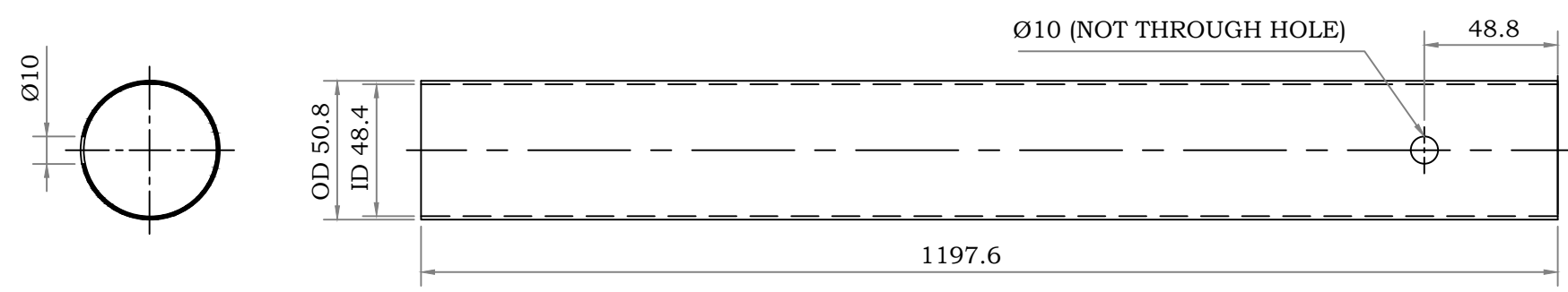


The information on this document is the property of BHARAT HEAVY ELECTRICALS LIMITED. It must not be used directly or indirectly in any way detrimental to the interest of the company.

10-33-79-275-31-3  
DRAWING No. 3-13-572-62-33-01

First Angle Projection

All dimensions are in MM

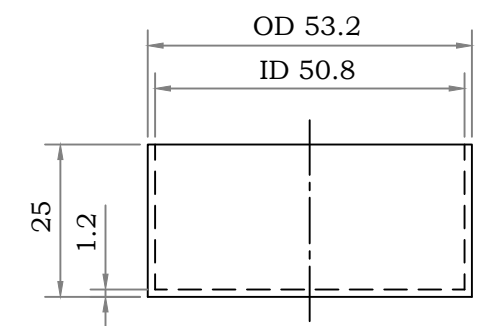
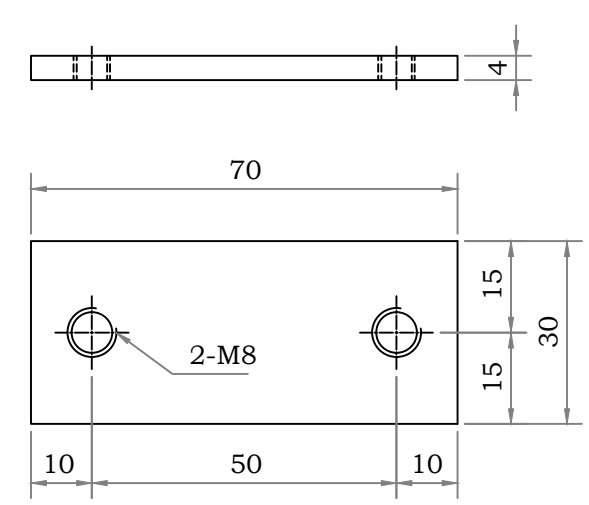
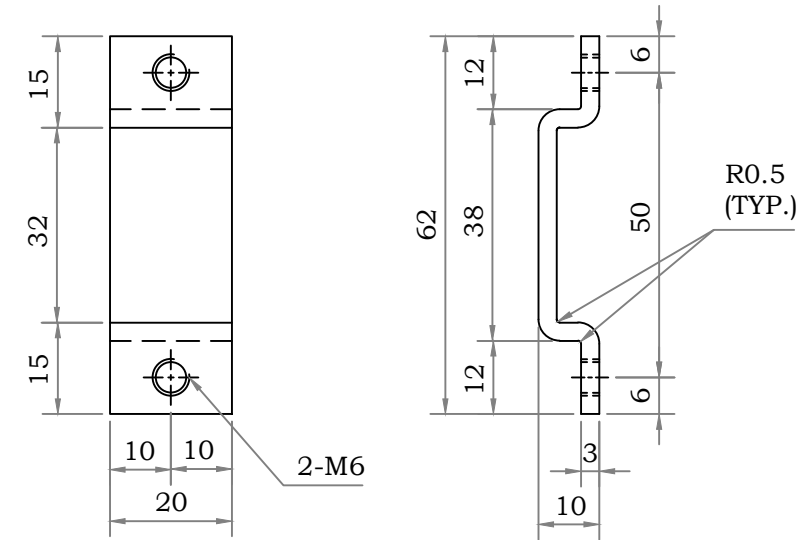


**CONTAINER (Pipe OD 50.8, Wall Thickness 1.2)**

**END CAP (TOP)**

MATERIAL : SS 202  
QUANTITY : 36 Nos.

MATERIAL : SS 202  
QUANTITY : 36 Nos.



**SHADOW COVER BRACKET**

**CONTAINER PLATE**

**END CAP (BOTTOM)**

MATERIAL : SS 202  
QUANTITY : 108 Nos.

MATERIAL : SS 202  
QUANTITY : 72 Nos.

MATERIAL : SS 202  
QUANTITY : 36 Nos.

**NOTES :**

- MATERIAL SHALL BE STRAIGHTENED BEFORE FABRICATION.
- ALL JOINTS ARE TO BE WELDED UNLESS OTHERWISE SPECIFIED.
- END CAP (TOP & BOTTOM) SHALL BE WELDED TO THE CONTAINER AT BOTH THE ENDS (STUDY **CONTAINER (LEFT SIDE), DRAWING No. 3-13-572-62-33-00** BEFORE WELDING).
- CONTAINER PLATE AND SHADOW COVER BRACKET SHALL BE WELDED TO THE CONTAINER AS PER THE DIMENSION AND ORIENTATION SHOWN IN THE **CONTAINER (LEFT SIDE), DRAWING No. 3-13-572-62-33-00**.
- SHARP CORNERS/BURRS SHALL BE REMOVED/SMOOTHENED.

ITEM No.	DESCRIPTION	DRAWING No.	MTL. SPCN. MTL. CODE	QTY.	UNIT WT. (Kg.)
TYPE OF PRODUCT OR NAME OF THE CUSTOMER/PROJECT: <b>Field Demonstration of 100 kWp SPV System with Solar Thermal Sun Trackers</b>					
BHARAT HEAVY ELECTRICALS LTD. CORPORATE RESEARCH AND DEVELOPMENT			NAME	SIGN	DATE
			DRN	KVPR RAO	
			CKD	SURYA ASP	
			APPD	M R PAWAR	
DEPT CODE	MATERIAL	SCALE	TOTAL WT. (Kg.)	REF. TO ASSY. DRG.	ITEM No.
FCR 62	SS 202	NTS		3-13-572-62-33-00	No. OF ITEM
TITLE				DRAWING No.	REV.
CONTAINER PARTS (LEFT SIDE) (50 kWp HORIZONTAL AXIS PASSIVE TRACKERS)				3-13-572-62-33-01	0
				SHT. No.	No. OF SHTS.