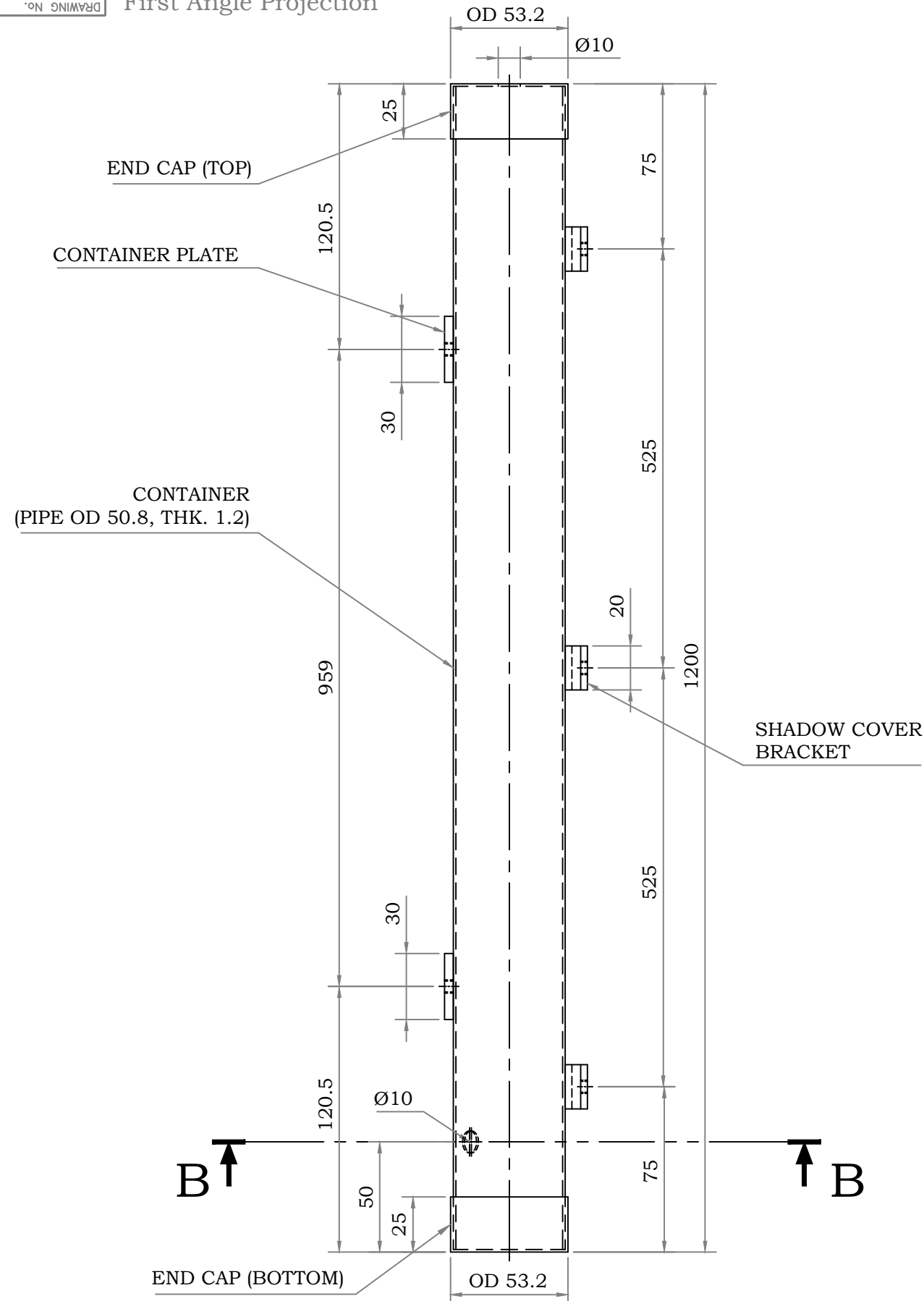


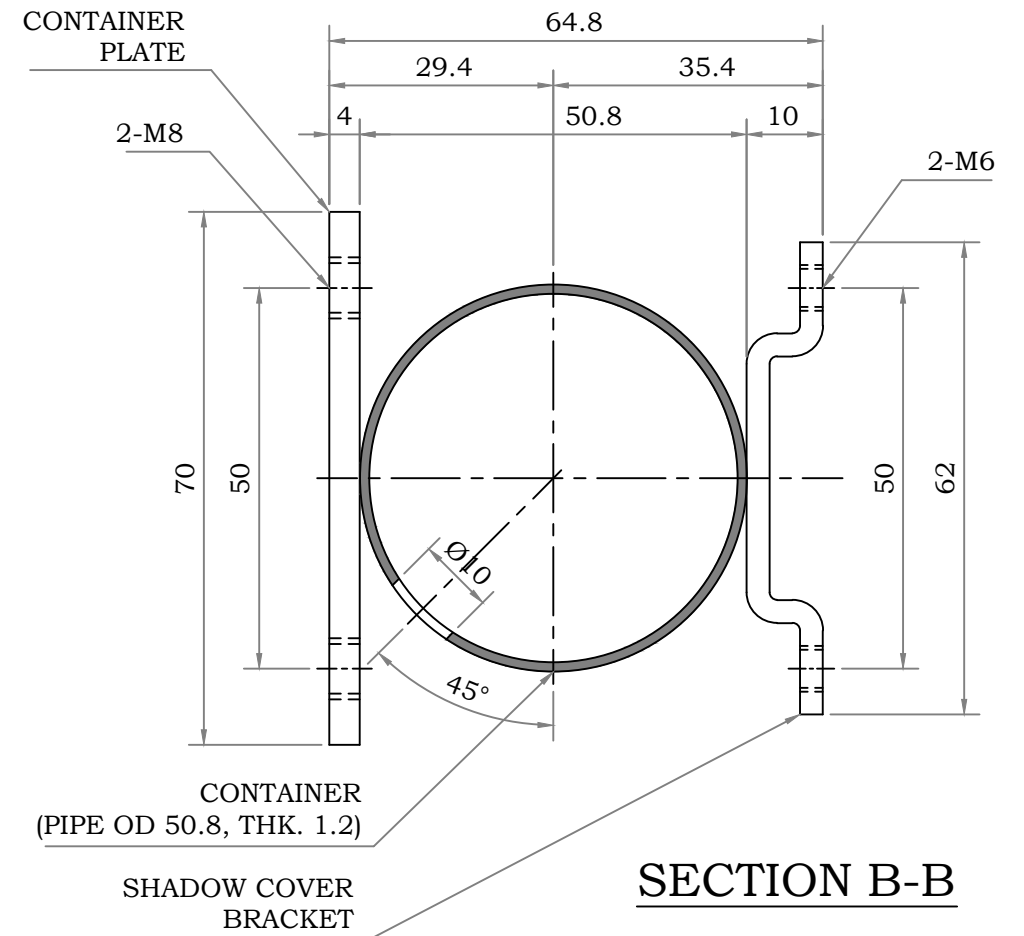
The information on this document is the property of BHARAT HEAVY ELECTRICALS LIMITED. It must not be used directly or indirectly in any way detrimental to the interest of the company.

00-13-572-62-34-00
DRAWING No.

First Angle Projection



All dimensions are in MM



MATERIAL : SS 202
QUANTITY : 36 Nos.

NOTE:
REFER **DRAWING No. 3-13-572-62-34-01,**
CONTAINER PARTS (RIGHT SIDE) FOR
MATERIAL, QUANTITY AND DETAILING OF
PARTS.

| ITEM No. | DESCRIPTION | DRAWING No. | MTL. SPCN. | QTY. | UNIT WT. (Kg.) |
|----------|-------------|-------------|------------|------|----------------|
| | | | MTL. CODE | | |
| | | | | | |

TYPE OF PRODUCT OR NAME OF THE CUSTOMER/PROJECT: **Field Demonstration of 100 kWp SPV System with Solar Thermal Sun Trackers**

| | | | | |
|--|------|-----------|------|------------|
| BHARAT HEAVY ELECTRICALS LTD. CORPORATE RESEARCH AND DEVELOPMENT | NAME | SIGN | DATE | No. OF VAR |
| | DRN | KVPR RAO | | |
| | CKD | SURYA ASP | | |
| | APPD | M R PAWAR | | |

| | | | | | | |
|----------|-----------------|-----------|-----------------|--------------------|----------|-------------|
| DEPT FCR | MATERIAL SS 202 | SCALE NTS | TOTAL WT. (Kg.) | REF. TO ASSY. DRG. | ITEM No. | No. OF ITEM |
| CODE 62 | | | | | | |

| | | |
|--|--------------------------|----------|
| TITLE | DRAWING No. | REV. |
| CONTAINER (RIGHT SIDE) (50 kWp HORIZONTAL AXIS PASSIVE TRACKERS) | 3-13-572-62-34-00 | 0 |
| SHT. No. | No. OF SHTS. | |
| | | |