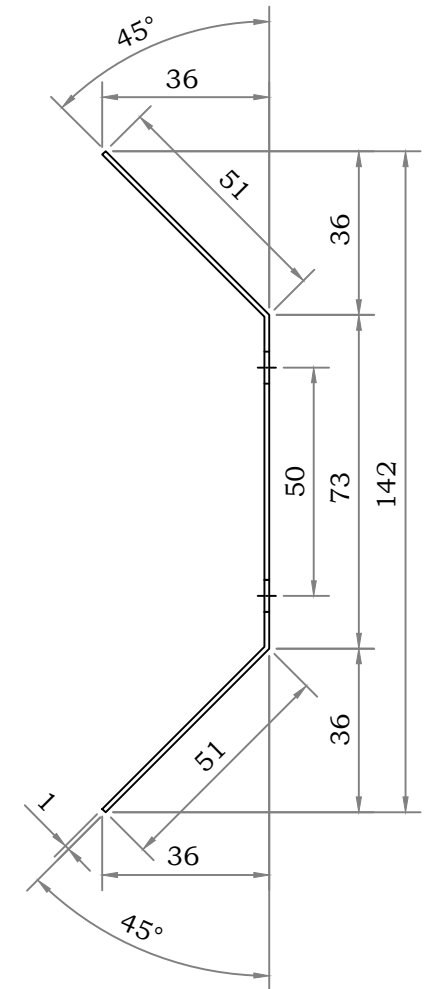
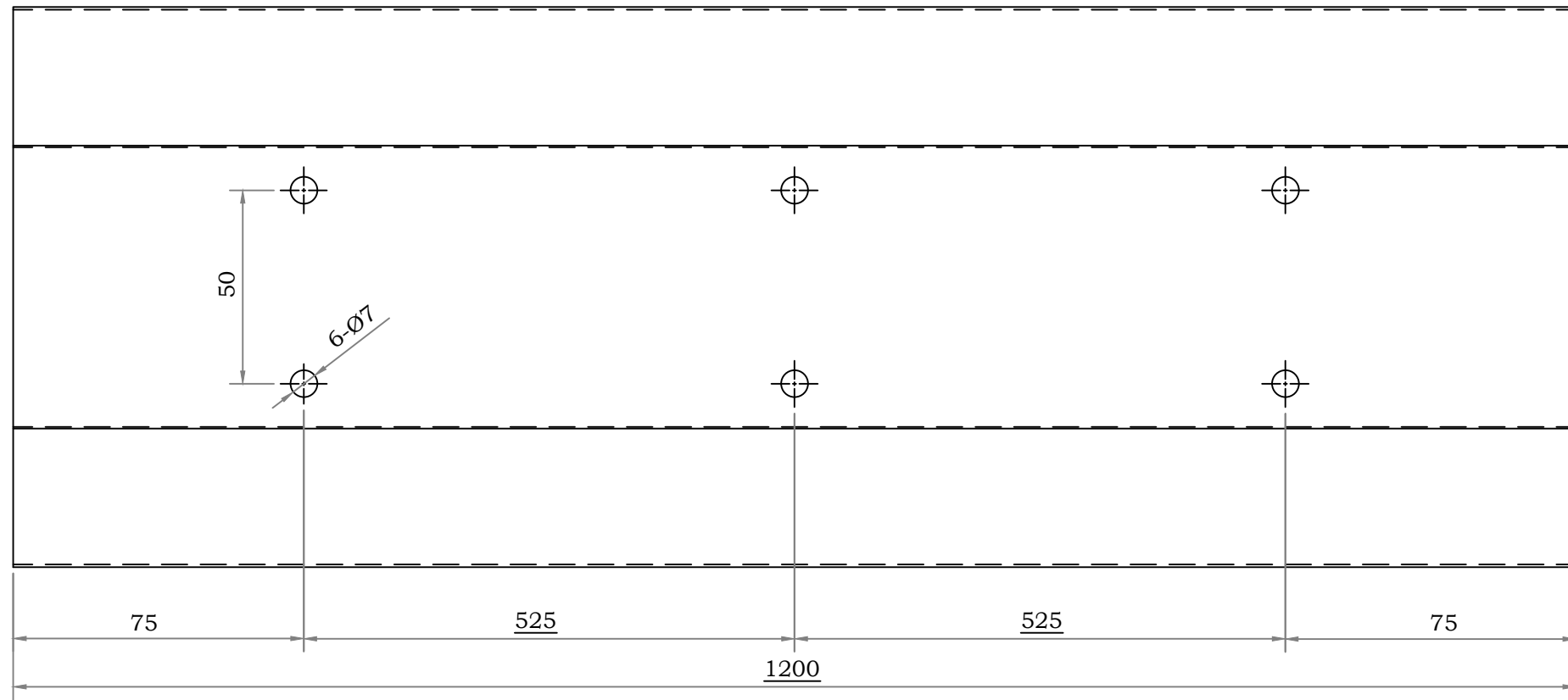


The information on this document is the property of BHARAT HEAVY ELECTRICALS LIMITED. It must not be used directly or indirectly in any way detrimental to the interest of the company.

00-78-29-72-37-00  
DRAWING No. 3-13-572-62-37-00

First Angle Projection

All dimensions are in MM



**MATERIAL : G.I. SHEET**  
**QUANTITY : 72 Nos.**

**NOTES :**

1. MATERIAL SHALL BE STRAIGHTENED BEFORE FABRICATION.
2. SHARP CORNERS/BURRS SHALL BE REMOVED/SMOOTHENED.
3. THE SHADOW COVER SHALL BE SUPPLIED WITHOUT ANY BENDS AND DENTS.

ITEM No.	DESCRIPTION	DRAWING No.	MTL. SPCN. MTL. CODE	QTY.	UNIT WT. (Kg.)
TYPE OF PRODUCT OR NAME OF THE CUSTOMER/ PROJECT <b>Field Demonstration of 100 kWp SPV System with Solar Thermal Sun Trackers</b>					
BHARAT HEAVY ELECTRICALS LTD. CORPORATE RESEARCH AND DEVELOPMENT			NAME	SIGN	DATE
DEPT FCR CODE 62			DRN	KVPR RAO	
MATERIAL G.I. SHEET			CKD	SURYA ASP	
SCALE NTS			APPD	M R PAWAR	
TOTAL WT. (Kg.)			REF. TO ASSY. DRG.	ITEM No.	No. OF ITEM
TITLE <b>SHADOW COVER</b> (50 kWp HORIZONTAL AXIS PASSIVE TRACKERS)			DRAWING No.	3-13-572-62-37-00	REV. 0
SHT. No.			No. OF SHTS.		