



RD:DP:MPX:F-04

Ref: 501404611

BHARAT HEAVY ELECTRICALS LIMITED
CORPORATE RESEARCH & DEVELOPMENT DIVISION
VIKASNAGAR, HYDERABAD - 500 093, INDIA

PHONES:23774494 (EXT:9804)

FAX : 91 40 23770698

ENQUIRY

Date 10-03-2015

Enquiry for **MANUFACTURING AND SUPPLY OF OPTIMIZED F5 STAGE DIAPHRAGMS & ITS ASSOCIATED COMPONENTS**

Enquiry No:501404611

Enquiry Date : 10-03-2015

Due Date: 31-03-2015

Indicative Delivery Date : 31-07-2015

Sl.No	Item Description	Unit	Qty
1	Diaphragm, RC Vanes & Seals	SET	1

Please submit your quotation for the above material in sealed cover super-scribed with enquiry no, enquiry date and due date subject to our enclosed terms and conditions. The quotations shall reach us on or before the due date by 12 noon. The tenders can also be dropped in the tender box kept at the security gate, BHEL R&D. In case you are not in position to submit the offer, please send reply suitably specifying the reasons.

Sl.No	Description	Document Ref.
01	Enquiry, General Terms & Conditions, Commercial Terms & Conditions etc.	Volume - 1
02	Technical specifications, Scope of Supply etc.	Volume - 2

MKVH Sarma
Addl GM (MPX)
sarma_mkvh@bhelrnd.co.in

	ENQUIRY & QUALIFYING CRITERIA	Volume - 1 Enquiry No 501404611
MANUFACTURING AND SUPPLY OF OPTIMIZED F5 STAGE DIAPHRAGMS & ITS ASSOCIATED COMPONENTS		


1	Tender inviting officer / Authority, Designation and Address	Additional General Manager(MM) BHEL R & D, Vikas Nagar (Near Balanagar), Hyderabad -500093
2	Item Description - Qty	1) Diaphragm, RC Vanes & Seals - 1 SET
3	Enquiry Reference no.	501404611
4	Indicative Delivery Date	31-07-2015
5	Due date, Time and place for submission of tender	31-03-2015 up to 12 noon. Sealed Quotations shall be addressed to Additional General Manager(MM), Bharat Heavy Electricals Limited Corporate Research and Development Division, Vikas Nagar (Near Balanagar), Hyderabad AP,India; Pin - 500 093 Quotations can also be deposited in the Tender box located at Security Gate of BHEL R & D BHEL shall not be responsible for any postal/courier delay.
6	Place, Date and time of Tech.Bid opening	Tender Opening Cell (Sangam) BHEL R & D Office. 31-03-2015, 2 PM
7	Mode of Submission of Tender	<p>Please submit your offer in one common sealed cover containing two parts in separate sealed covers as detailed below.</p> <ol style="list-style-type: none"> 1. First Cover shall contain: <ol style="list-style-type: none"> a. Technical & Commercial bid. b. Filled in commercial compliance statement(mandatory) c. Copy of Price-bid with price(s) cells blank (un-priced price bid) 2. Second cover shall contain Price Bid. Price Bid Containing Price quotes, installation and/or commissioning charges shall be spelt out clearly taking into account total charges rather than quoting vaguely such as charges per man-day or charges per engineer per day etc. <p>If the price bid was found later to be different from the unpriced pricebid format in any way, the offer will be rejected summarily. The rates shall be quoted both in figures and in words.</p> <p>The offers can also be submitted through e-mail and have to be sent in PDF format (files with PDF extension only). Files having extensions other than PDF like RAR, EXE,JPEG etc. and with external links will not be considered. They have to be sent to e-mail id: 'eoffers@bhelrnd.co.in' only. Copies should not be marked to anyone. If the offers are marked to anyone other than to eoffers, their offer will not be considered.</p> <p>The e-mail offers should have two attachments. One attachment shall contain a) Technical & Commercial bid b) Filled in Commercial Compliance Statement (mandatory) and c) Copy of price bid with price(s) cells blank (un-priced price bid). The second attachment shall contain price bid.</p> <p>The subject of the e-mail should contain Enquiry No, Enquiry Date and Due date.</p>

	GENERAL TERMS & CONDITIONS (GTC)	Volume - 1 Enquiry No 501404611
MANUFACTURING AND SUPPLY OF OPTIMIZED F5 STAGE DIAPHRAGMS & ITS ASSOCIATED COMPONENTS		

SL.No.	Clause	BHEL REQUIREMENT
1	General	<p>a. All offers must include name of the contact person, phone no/mobile no, Fax no, email-id. Unsigned offers are liable for rejection.</p> <p>b. We, BHEL R&D, is registered with Department of Scientific and Industrial Research (DSIR) for the purpose of availing Customs Duty exemption in terms of Government Notification no.24/2007-Customs dated 01-Mar-2007 & Central Excise Duty Exemption in terms of Government Notification No. 16/2007-Central Excise dated 01-Mar-2007 as amended from time to time. Hence suppliers are requested to submit their bids clearly stating applicable taxes/duties. All foreign quotes will be evaluated with custom duty @ 5.15% for cost comparison.</p> <p>c. Taxes & Duties quoted will be taken for evaluation of landed cost & order placement and no change will be entertained later except in the case of changes made by the government. However please note that we are availing cenvat credit for service tax and hence service tax will be excluded in calculation of landed cost to BHEL. In case any Taxes/ Duties exempted, a self declaration for the same may be attached to the offer. Changes in taxes and duties because of the changes in turn over etc will be to supplier's account.</p> <p>d. Where ever vendor registration form and EFT details have been submitted earlier, the same need not be submitted again unless there is a change.</p> <p>e. BHEL R&D do not issue 'C' form .</p> <p>f. L1 status shall be decided on Cost to BHEL Basis.</p>
2	Late Tenders	Tenders received after due date/time(12:00hrs) will not be considered
3	Discrepancy in words and figures	<p>(a) If, in the price structure quoted for the required goods/ Services/ works, there is discrepancy between the unit price and the total price (which is obtained by multiplying the unit price by the quantity), the unit price shall prevail and the total price corrected accordingly, unless in the opinion of the purchaser there is an obvious misplacement of the decimal point in the unit price, in which case the total price as quoted shall govern and the unit price corrected accordingly.</p> <p>(b) If there is an error in a total corresponding to the addition or subtraction of subtotals, the subtotals shall prevail and the total shall be corrected; and</p> <p>(c). If there is a discrepancy between words and figures, the amount in words shall prevail, unless the amount expressed in words is related to an arithmetic error, in which case the amount in figures shall prevail subject of (a) and (b) above.</p> <p>(d) If there is such discrepancy in an offer, the same shall be conveyed to the bidder with target date upto which the bidder has to send his acceptance on the above lines and if the bidder does not agree to the decision of the purchaser, the bid is liable to be ignored.</p>
4	Two Part bid clarifications	In the case of Two-part bid, the vendor should furnish technical and commercial clarifications, if any, within stipulated time mentioned, failing which, it will be construed that the vendor is not interested in the tender and BHEL shall not consider the offer for further evaluation.
5	Price Impacts	In the event of any bidder, after finalizing the technical specifications and scope of supply, opting to revise their original bid, they have to submit the Price-Impact only. The Original price bid along with Price-Impact bid shall be opened during price bid opening. Unsolicited price impacts will not be considered.
6	Price bid evaluation	All offers in price bid opening or reverse auction shall be evaluated in Indian currency based on unit price, packing & forwarding, taxes/duties, freight charges if any, exchange rate. Loading due to non-acceptance of our standard commercial terms will be evaluated as per the LOADING FACTORS form as enclosed along with the enquiry.The exchange rate declared by State Bank of India under TT Selling rate on the technical bid open date shall be adopted for evaluating foreign currency bids.
7	Packing	The supplier shall be responsible for the goods being properly and adequately packed so as to prevent any loss, damage or deterioration during transit.

8	Withdrawal	In case the supplier withdraws their offer before placement of order, BHEL reserves the right not to send next enquiry(ies). In case the supplier withdraws the quotation after its acceptance by BHEL or fails to supply the goods as per the terms and conditions of contract, or at any time repudiated the contract wholly or in part, BHEL shall be at liberty to cancel the Purchase Order and to recover from the supplier the extra cost and other loss, incidentals due to the breach of contract on the part of the supplier through risk purchase.
9	Risk Purchase	In case of default/late delivery, BHEL reserves the right to make alternate arrangement for procurement at suppliers risk and cost.
10	Banned List	The offers of the bidders who are in the banned list and the offers of the bidders who engage the services of the banned firms, shall be rejected. The list of banned firms is available on BHEL website www.bhel.com.
11	Over All L1	Order will be placed on overall L1 basis. Vendors should quote for all items, otherwise the offer will be rejected.
12	Additional Information	Suppliers are requested to visit our web site regularly for any updates and additional information, "All corrigenda, addenda, amendments, time extensions clarifications, etc. to the tender will be hosted on BHEL website only". The corrigendum will not be published in news paper.
13	Destination	Indian Vendors: Destination shall be Stores, BHEL R&D, Hyderabad. Foreign Vendors: 1) BHEL R.O.D Office, Mumbai, India for sea consignments and 2) BHEL R&D, Hyderabad, India for air consignments.
14	Arbitration	Subject to the jurisdiction of Hyderabad/Secunderabad, Andhra Pradesh, India in respect of any suit or other legal proceedings relating this contract.
15	Micro Small Enterprises (MSEs)	<p>MSE suppliers can avail the intended benefits only if they submit along with offer, attested copies of either EM II certificate having deemed validity (Two years from the date of issue of acknowledgement in EM-II) or valid NSIC certificate or EM II certificate along with CA certificate (Format as below) applicable for the year, certifying quantum of investment in plant and machinery within the permissible limit as per the act for relevant status (Micro or small) Where the deemed validity of EM II is over. Date to be reckoned for determining the deemed validity will be the last date of technical bid submission. Non submission of such documents will lead to consideration of their bids at par with other bidders and MSE status of such suppliers shall be shifted to Non MSE supplier till the supplier submits these documents.</p> <p style="text-align: center;">Certificate by chartered Accountant on letter head</p> <p>This is to certify that M/s(hereinafter referred to as 'company') having its registered office at is registered under MSMED Act 2006, (Entrepreneur Memorandum No(Part-II) dtd....., Category.....(Micro/Small). (Copy enclosed).</p> <p>Further verified from the Books of Accounts that the investment of the company as on date..... as per MSMED Act 2006 is as follows :</p> <p>1. For manufacturing Enterprises : Investment in plant and machinery (i.e. Original cost excluding land and building and the items specified by the ministry of small Scale Industries vide its notification No.S.O.1722(E) dated October 5, 2006.</p> <p>2. For Service Enterprises : Investment in equipment (Original cost excluding land and building and furniture, fittings and other items not directly related to the service rendered or as may be notified under the MSMED Act, 2006: Rs..... Lacs The above investment of Rs..... Lacs is within permissible limit of Rs..... Lacs for.....Micro/Small (Strike off which is not applicable) Category under MSMED Act 2006.</p> <p>Date:</p> <p>(Signature) Name- Membership number -- Seal of Chartered Accountant</p>
16	Inspection	On receipt, the goods shall be subjected to inspection and our decision regarding the acceptability of the goods shall be final and binding on the suppliers.

Signature of the bidder with Seal & Date


	COMMERCIAL TERMS & CONDITIONS (CTC)	Volume - 1 Enquiry No 501404611
MANUFACTURING AND SUPPLY OF OPTIMIZED F5 STAGE DIAPHRAGMS & ITS ASSOCIATED COMPONENTS		

SL.No.	Clause	BHEL REQUIREMENT	SUPPLIERS ACCEPTANCE / REMARKS
1	Two part Bid	<p>Please submit your offer in one common sealed cover containing two parts in separate sealed covers as detailed below.</p> <p>1. First Cover shall contain:</p> <ol style="list-style-type: none"> Technical & Commercial bid. Filled in commercial compliance statement (mandatory) Copy of Price-bid with price(s) cells blank (un-priced price bid) <p>2. Second cover shall contain Price Bid. Price Bid Containing Price quotes, installation and/or commissioning charges shall be spelt out clearly taking into account total charges rather than quoting vaguely such as charges per man-day or charges per engineer per day etc.</p> <p>If the price bid was found later to be different from the unpriced pricebid format in any way, the offer will be rejected summarily. The rates shall be quoted both in figures and in words.</p> <p>The offers can also be submitted through e-mail and have to be sent in PDF format (files with PDF extension only). Files having extensions other than PDF like RAR, EXE,JPEG etc. and with external links will not be considered. They have to be sent to e-mail id: 'eoffers@bhelnd.co.in' only. Copies should not be marked to anyone. If the offers are marked to anyone other than to eoffers, their offer will not be considered.</p> <p>The e-mail offers should have two attachments. One attachment shall contain a) Technical & Commercial bid b) Filled in Commercial Compliance Statement (mandatory) and c) Copy of price bid with price(s) cells blank (un-priced price bid). The second attachment shall contain price bid.</p> <p>The subject of the e-mail should contain Enquiry No, Enquiry Date and Due date.</p>	
2	Validity of Offer	90 days from date of techno-commercial bid opening.	
3	Price basis	<p>The prices shall be firm for entire period of contract.</p> <p>The suppliers shall indicate packing and forwarding charges,if any, separately.</p> <p>All foreign suppliers shall quote the lowest prices on 'FOB-Nearest International Airport/Sea port' basis. An amount of 3% on basic value towards freight and insurance will be added for cost comparison.</p> <p>All Indian suppliers shall quote the lowest prices on 'free delivery at BHEL R&D Stores or F.O.R destination' basis only.</p>	
4	LD Clause	<p>Failure to supply the goods and/or carryout the services within the stipulated delivery date will attract a penalty of 0.5% per week or part thereof for the value of the undelivered portion of the purchase order subject to a maximum of 10% of the total order value.In case of non acceptance to this LD Clause, 10% of basic material cost will be loaded on the quoted prices while cost comparison.(Please refer the enclosed 'Loading Factors' sheet).</p>	
5	Payment Terms	<p>a) For Indian Offers : BHEL standard payment term is "100% payment along with taxes by EFT/RTGS within 30 days of receipt and acceptance of material at BHEL R&D Stores,Hyderabad". For other payment terms there will be a loading on the offer as mentioned in our 'Loading Factors' sheet which is enclosed to this enquiry.</p> <p>b) For Foreign Offers : BHEL standard payment term is "100% Invoice value by wire transfer within 30 days of receipt and acceptance of material at BHEL R&D Stores,Hyderabad". For other payment terms there will be a loading on the offer as mentioned in our "Loading Factors" sheet which is enclosed to this enquiry.All bank charges inside India shall be to BHEL account and outside India shall be to supplier's account.</p>	
		<p>FOR INDIAN SUPPLIES :</p> <p>=====</p> <p>Suppliers are requested to quote for the delivery mentioned in the enquiry. However, in case it is not possible to meet the delivery requirement of BHEL, they shall mention in</p>	

6	Delivery Period	<p>the right column the best possible delivery period</p> <p>1) From date of Purchase order =====></p> <p>2) From receipt of material / input data / drawings etc. from BHEL=====> (if applicable)</p> <p>3) From receipt of approval of design documents / drawings etc. by BHEL=====> (if applicable)</p> <p>4) Time from PDI to despatch =====> (if applicable)</p> <p>However BHEL shall inform the vendor about rejection of the offer before price bid opening in case of not meeting the delivery requirements of BHEL.</p> <p>=====</p> <p>FOR FOREIGN SUPPLIES :</p> <p>Suppliers are requested to quote for the delivery mentioned in the enquiry. However, in case it is not possible to meet the delivery requirement of BHEL, they shall mention in the right column the best possible delivery period</p> <p>1. From date of Purchase order :=====></p> <p>2. From receipt of input data / drawings etc. from BHEL=====> (if applicable)</p> <p>3. From receipt of approval of design documents / drawings etc. by BHEL=====> (if applicable)</p> <p>4. From date of LC Opening=====> (if applicable)</p> <p>5. From date of PO acceptance =====> (wherever issues like export clearance etc. are involved, mentioning the reasons)</p> <p>However BHEL shall inform the vendor about rejection of the offer before price bid opening in case of not meeting the delivery requirements of BHEL.</p>	
7	Taxes and duties	<p>All Indian suppliers shall clearly mention current sales tax/VAT,Excise duty and Service Tax etc, if any,payable in addition to the quoted price and indicate applicable rates/percentage,item-wise clearly.The vendors should mention applicable Registration Number(s) specifically in their quotation.The suppliers are requested to submit their bids clearly stating applicable taxes and duties.The quoted taxes/duties will be taken for cost evaluation and order placement and no change will be entertained later except in the case of changes made by the government. Please note that we are availing cenvat credit for service tax and hence service tax will be excluded in calculation of landed cost to BHEL. However Proof of payment of service tax is required to be submitted for reimbursement of the same.</p>	

Note : All the clauses of the above format should be filled and submitted with the Techno Commercial Bid (Part-1). The filled in BHEL Commercial terms & Conditions format submitted with technical bid, responding to all the clauses duly signed with seal **only shall be considered**. Any other Commercial terms & conditions of bidders entered elsewhere in their offer shall not be considered and are liable for rejection.

Signature of the bidder with Seal & Date

		ITEM SPECIFICATIONS		Volume - 2 Enquiry NO 501404611
MANUFACTURING AND SUPPLY OF OPTIMIZED F5 STAGE DIAPHRAGMS & ITS ASSOCIATED COMPONENTS				
SL.No.	Item			
1	Diaphargm, RC Vanes & Seals			
	sl no	Descriptions	BHEL Specifications	Vendor Specifications/ Deviations
	1	MANUFACTURING AND SUPPLY OF OPTIMIZED F5 STAGE DIAPHRAGMS & ITS ASSOCIATED COMPONENTS FOR COMPRESSOR STAGE TESTING AS PER THE LIST OF DRWINGS ENCLOSED.	MANUFACTURING AND SUPPLY OF OPTIMIZED F5 DIAPHRAGMS & ITS ASSOCIATED COMPONENTS FOR COMPRESSOR STAGE TESTING AS PER THE DRWINGS GIVEN BELOW. 1. Diaphragm Part -1, Qty: 1 No. Drg# RD DG 3 TM 15 F-3 2. Diaphragm Part -2 Qty: 1 No. Drg# RD DG 3 TM 15 F-4 3. Diaphragm Part -3 Qty- 1 No. Drg# RD DG 3 TM 15 F-5 4. Impeller Seal, Qty- 1 No. Drg# RD DG 3 TM 15 F-6 5. Shaft Seal - Qty- 1 No. Drg# RD DG 3 TM 15 F-7 6. Bearing Seal - Qty- 1 No. Drg# RD DG 3 TM 15 F-8 7. Return Channel Vane set; Qty: - 20 Nos. Drg# RD DG 3 TM 15 F-9	
			1. The vendor shall be manufacturer of compressor components but not supplier of centrifugal compressors. Statement confirming this is to be submitted along with the technical bid. 2. Vendor shall provide the credentials regarding manufacturing & supply of centrifugal compressor stage components for the last 4 years along with the technical bid. The vendor shall enclose a selected list of customers (with order copies of orders executed) for whom centrifugal compressor stage components have been manufactured & supplied. 3. Vendor must submit complete information against clause Nos. 1 & 2. The offer	

2	Note	<p>submitted by vendors should meet this clause shall only be processed. BHEL will disqualify the offer in case of non-conformity of the above conditions (1 & 2).</p> <p>4. Vendors from India only need to quote as PDI at overseas location can't be arranged.</p> <p>5. Vendor shall furnish material test certificates (Mechanical & Chemical Analysis Test Reports), Post Weld Heat Treatment Report, Ultrasonic Test Report.</p> <p>6. All the fasteners should be high tensile 10.9 grade of UNBRAKO / GKW / TVS make only along with nuts, washers and lock washers where ever needed.</p> <p>7. BHEL reserves the right to verify the information submitted by the vendor. The offer with false/ incorrect/incomplete information may be rejected.</p>	
	Pre Dispatch Inspection	Inspection shall be carried out by BHEL. The Vendor shall give minimum of 7 days notice for inspection along with internal test certificates.	

* Vendors are advised to write specifications in detail and not to write like 'Complied/ Yes / No ' etc. in specifications.

Signature of the bidder with Seal & Date

BHEL R&D
RD:DP:MPX:F-22

LOADING FACTORS



NOTE : IN CASE OF DEVIATION TO BHEL TENDER SPECIFIED TERMS, LOADING FACTOR INDICATED IN FOLLOWING TABLE WILL BE APPLIED TO QUOTED PRICE WHILE EVALUATING THE LOWEST QUOTE

A. FOR INDIGENOUS PURCHASES					
SL.NO	SCOPE	COMMERCIAL TERMS	BHEL STANDARD TERM	AS OFFERED	LOADING FACTOR FOR NON COMPLIANCE TO BHEL STANDARD TERMS
A.1	SUPPLY OF EQUIPMENT	PAYMENT TERMS	100% PAYMENT, WITH IN 30 DAYS FROM THE DATE OF RECEIPT AND ACCEPTANCE OF MATERIAL AT BHEL R & D	SAME	NIL
				PAYMENT AGAINST PROFORMA INVOICE/ DESPATCH DOCUMENTS	LOADING @ (SBI BASE RATE ON TENDER OPENING DATE+ 6%) ON THE TOTAL PO VALUE FOR ONE MONTH
				FULL ADVANCE PAYMENT WITH BANK GUARANTEE	LOADING @ (SBI BASE RATE ON TENDER OPENING DATE+ 6%) ON THE TOTAL PO VALUE FOR THE DELIVERY PERIOD (Rounded off to nearest month) + 1 MONTH
				PART ADVANCE (X%) PAYMENT WITH BANK GUARANTEE AND BALANCE PAYMENT WITH IN 30 DAYS FROM THE DATE OF RECEIPT AND ACCEPTANCE OF THE MATERIAL	LOADING @ (SBI BASE RATE ON TENDER OPENING DATE+ 6%) ON PART ADVANCE AMOUNT (X%) FOR THE DELIVERY PERIOD (Rounded off to nearest month) + 1 MONTH
				PART ADVANCE (X%) PAYMENT WITH BANK GUARANTEE AND BALANCE PAYMENT ON RECEIPT AND ACCEPTANCE OF MATERIAL	LOADING @ (SBI BASE RATE ON TENDER OPENING DATE+ 6%) ON PART ADVANCE AMOUNT (X%) FOR THE DELIVERY PERIOD (Rounded off to nearest month) + 1 MONTH AND LOADING @ (SBI BASE RATE ON TENDER OPENING DATE+ 6%) ON BALANCE AMOUNT FOR ONE MONTH
A.2	SUPPLY OF EQUIPMENT INCLUDING ERECTION AND COMMISSIONING (E&C)	PAYMENT TERMS	90% PAYMENT, WITH IN 30 DAYS FROM THE DATE OF RECEIPT AND ACCEPTANCE OF MATERIAL AND BALANCE 10% WITH IN 30 DAYS OF COMPLETION OF E&C.	SAME	NIL
				100% PAYMENT WITH IN 30 DAYS AFTER COMPLETION OF SUPPLIES AND E&C	NIL
				90% PAYMENT AGAINST PROFORMA INVOICE/ DESPATCH DOCUMENT AND BALANCE 10% WITH IN 30 DAYS AFTER COMPLETION OF E&C.	LOADING @ (SBI BASE RATE ON TENDER OPENING DATE+ 6%) ON 90% OF THE VALUE OF PO FOR ONE MONTH
				90% PAYMENT AGAINST PROFORMA / DESPATCH DOCUMENT AND BALANCE 10% AFTER COMPLETION OF E&C	LOADING @ (SBI BASE RATE ON TENDER OPENING DATE+ 6%) ON TOTAL VALUE OF THE PO FOR ONE MONTH
				90% ADVANCE PAYMENT WITH BANK GUARANTEE AND BALANCE 10% PAYMENT WITH IN 30 DAYS AFTER COMPLETION OF E&C	LOADING @ (SBI BASE RATE ON TENDER OPENING DATE+ 6%) ON 90% OF THE PO VALUE FOR DELIVERY PERIOD (ROUNDED OFF TO THE NEAREST MONTH) + 1 MONTH
				PART ADVANCE (X%) PAYMENT WITH BANK GUARANTEE AND (90 -X) % PAYMENT ON RECEIPT AND ACCEPTANCE OF THE MATERIAL AND 10% PAYMENT WITH IN 30 DAYS AFTER COMPLETION OF E&C	LOADING @ (SBI BASE RATE ON TENDER OPENING DATE+ 6%) ON THE PART ADVANCE AMOUNT (X%) FOR THE DELIVERY PERIOD (ROUNDED OF TO THE NEAREST MONTH)+ 1 MONTH AND LOADING @ (SBI BASE RATE ON TENDER OPENING DATE+ 6%) ON BALANCE (90- X)% AMOUNT FOR ONE MONTH
				PART ADVANCE (X%) PAYMENT WITH BANK GUARANTEE AND BALANCE (90 - X) % PAYMENT AFTER RECEIPT AND ACCEPTANCE OF THE MATERIAL AND 10% PAYMENT AFTER COMPLETION OF E&C	LOADING @ (SBI BASE RATE ON TENDER OPENING DATE+ 6%) ON THE PART ADVANCE AMOUNT (X%) FOR THE DELIVERY PERIOD (ROUNDED OFF TO THE NEAREST MONTH)+ 1 MONTH AND LOADING @ (SBI BASE RATE ON TENDER OPENING DATE+ 6%) ON BALANCE (90- X)% AMOUNT FOR ONE MONTH

B. FOR FOREIGN PURCHASES (IMPORTED)					
SLNO	SCOPE	COMMERCIAL TERMS	BHEL STANDARD TERM	AS OFFERED	LOADING FACTOR FOR NON COMPLIANCE TO BHEL STANDARD TERMS
B.1	SUPPLY OF EQUIPMENT	PAYMENT TERMS	100% PAYMENT BY WIRE TRANSFER WITHIN 30 DAYS FROM THE DATE OF RECEIPT AND ACCEPTANCE OF MATERIAL AT BHEL. R&D DESPATCH DOCUMENTS WILL BE SENT TO BHEL R&D DIRECTLY ALONG WITH BANK DETAILS)	SAME	Nil
				SIGHT DRAFT ON PRESENTATION OF DESPATCH DOCUMENTS VIZ INVOICE, AWB ETC TO OUR BANKERS	LOADING @ (SBI BASE RATE ON TENDER OPENING DATE+6%) ON THE BASIC VALUE FOR ONE MONTH PLUS PAYMENT RELATED BANK CHARGES INCURRED BY BHEL
				LC PAYMENT AGAINST DESPATCH DOCUMENTS	LOADING @ (SBI BASE RATE ON TENDER OPENING DATE+ 6%) ON THE BASIC VALUE FOR ONE MONTH PLUS LC RELATED BANK CHARGES INCURRED BY BHEL
				FULL ADVANCE PAYMENT BY WIRE TRANSFER /LC WITH BANK GUARANTEE	LOADING @ (SBI BASE RATE ON TENDER OPENING DATE+ 6%) ON THE BASIC VALUE FOR DELIVERY PERIOD (Rounded off to nearest month) + 1 MONTH PLUS LC RELATED BANK CHARGES INCURRED BY BHEL
				PART ADVANCE (X%) PAYMENT BY WIRE TRANSFER/LC WITH BANK GUARANTEE AND BALANCE PAYMENT WITH IN 30 DAYS FROM THE DATE OF RECEIPT AND ACCEPTANCE OF THE MATERIAL	LOADING @ (SBI BASE RATE ON TENDER OPENING DATE+ 6%) ON THE PART ADVANCE AMOUNT (X%) FOR THE DELIVERY PERIOD (Rounded off to nearest month) + 1 MONTH PLUS LC RELATED BANK CHARGES INCURRED BY BHEL
				PART ADVANCE (X%) PAYMENT BY WIRE TRANSFER/LC WITH BANK GUARANTEE AND BALANCE PAYMENT ON RECEIPT AND ACCEPTANCE OF MATERIAL	LOADING @ (SBI BASE RATE ON TENDER OPENING DATE+ 6%) ON THE PART ADVANCE AMOUNT (X%) FOR THE DELIVERY PERIOD (Rounded off to nearest month) + 1 MONTH AND LOADING @ (SBI BASE RATE ON TENDER OPENING DATE+ 6%) ON BALANCE AMOUNT FOR ONE MONTH PLUS LC RELATED BANK CHARGES INCURRED BY BHEL
B. FOR FOREIGN PURCHASES (IMPORTED)					
SLNO	SCOPE	COMMERCIAL TERMS	BHEL STANDARD TERM	AS OFFERED	LOADING FACTOR FOR NON COMPLIANCE TO BHEL STANDARD TERMS
B.2	SUPPLY OF EQUIPMENT INCLUDING ERECTION AND COMMISSIONING (E&C)	PAYMENT TERMS	90% PAYMENT BY WIRE TRANSFER WITH IN 30 DAYS FROM THE DATE OF RECEIPT AND ACCEPTANCE OF THE MATERIAL AND BALANCE 10% WITH IN 30 DAYS AFTER COMPLETION OF E&C	SAME	Nil
				SIGHT DRAFT ON PRESENTATION OF DESPATCH DOCUMENTS VIZ INVOICE, AWB ETC TO OUR BANKERS	LOADING @ (SBI BASE RATE ON TENDER OPENING DATE+6%) FOR ONE MONTH PLUS PAYMENT RELATED BANK CHARGES INCURRED BY BHEL
				90 PAYMENT BY WIRE TRANSFER /LC AGAINST DESPATCH DOCUMENTS BALANCE 10% WITH IN 30 DAYS AFTER COMPLETION OF E&C	LOADING @ (SBI BASE RATE ON TENDER OPENING DATE+6%) ON 90% OF BASIC VALUE FOR ONE MONTH PLUS LC RELATED BANK CHARGES INCURRED BY BHEL
				90% PAYMENT BY WIRE TRANSFER / LC AGAINST DESPATCH DOCUMENTS, BALANCE 10% AFTER COMPLETION OF E&C	LOADING @ (SBI BASE RATE ON TENDER OPENING DATE+6%) ON THE BASIC VALUE FOR ONE MONTH PLUS LC RELATED BANK CHARGES INCURRED BY BHEL
				90% OF BASIC VALUE AS ADVANCE PAYMENT BY WIRE TRANSFER /LC WITH BANK GUARANTEE AND BALANCE 10% WITH IN 30 DAYS AFTER COMPLETION OF E&C	LOADING @ (SBI BASE RATE ON TENDER OPENING DATE+6%) ON 90% OF THE BASIC VALUE FOR DELIVERY PERIOD (Rounded off to nearest month) + ONE MONTH PLUS LC RELATED BANK CHARGES INCURRED BY BHEL
				PART ADVANCE (X%) PAYMENT BY WIRE TRANSFER /LC WITH BANK GUARANTEE AND BALANCE (90-X)% PAYMENT BY WIRE TRANSFER /LC AFTER RECEIPT AND ACCEPTANCE OF THE MATERIAL AND 10% PAYMENT WITH IN 30 DAYS AFTER COMPLETION OF E&C	LOADING @ (SBI BASE RATE ON TENDER OPENING DATE+ 6%) ON THE PART ADVANCE AMOUNT (X%) FOR THE DELIVERY PERIOD (Rounded off to the nearest month) + ONE MONTH AND LOADING @ (SBI BASE RATE ON TENDER OPENING DATE+ 6%) ON BALANCE (90-X)% FOR ONE MONTH PLUS LC RELATED BANK CHARGES INCURRED BY BHEL
PART ADVANCE (X%) PAYMENT BY WIRE TRANSFER /LC WITH BANK GUARANTEE AND BALANCE (90-X)% PAYMENT BY WIRE TRANSFER /LC AFTER RECEIPT AND ACCEPTANCE OF THE MATERIAL AND 10% PAYMENT AFTER COMPLETION OF E&C	LOADING @ (SBI BASE RATE ON TENDER OPENING DATE+ 6%) ON THE PART ADVANCE AMOUNT (X%) FOR THE DELIVERY PERIOD (Rounded off to the nearest month) + ONE MONTH AND LOADING @ (SBI BASE RATE ON TENDER OPENING DATE+ 6%) ON BALANCE AMOUNT (100-X)% FOR ONE MONTH PLUS LC RELATED BANK CHARGES INCURRED BY BHEL				

C. PENALTY FOR DELAYED DELIVERY (COMMON FOR INDIGENOUS AND IMPORTS)				
SLNO	COMMERCIAL TERMS	BHEL STANDARD TERM	AS OFFERED	LOADING FACTOR FOR NON COMPLIANCE TO BHEL STANDARD TERMS
C	LD CLAUSE	IN THE EVENT OF DELAY IN AGREED CONTRACTUAL DELIVERY, PENALTY OF 0.5% (HALF PERCENT) PER WEEK BUT LIMITED TO A MAX OF 10% OF TOTAL ORDER VALUE WILL BE APPLICABLE	AGREED	NIL
			IF NOT AGREED	LOADING @ 10% OF THE BASIC MATERIAL COST
			IF AGREED FOR X%	LOADING @ (10-X)% OF THE BASIC MATERIAL COST
D. GUARANTEE/WARRANTY PERIOD (COMMON FOR INDIGENOUS AND IMPORTS)				
SLNO	COMMERCIAL TERMS	BHEL STANDARD TERM	AS OFFERED	LOADING FACTOR FOR NON COMPLIANCE TO BHEL STANDARD TERMS
D	GUARANTEE/WARRANTY PERIOD	STIPULATED OR REQUIRED GUARANTEE/ WARRANTY PERIOD (X)	AGREED	NIL
		MINIMUM ACCEPTABLE GUARANTEE / WARRANTY PERIOD(Y)	NOT AGREED FOR STIPULATED BUT AGREED FOR MINIMUM GUARANTEE/WARRANTY(Y)	LOADING @ 10 % OF THE ORDER VALUE PER ANNUM FOR THE REDUCED GUARANTEE PERIOD (X-Y)

AUTHORISATION LETTER FOR E-PAYMENT/ NEFT / RTGS
(PLEASE FILL UP THE FORM COMPLETELY IN CAPITAL LETTERS ON YOUR COMPANY LETTERHEAD ONLY)

Vendor Code (to be filled by BHEL)	
------------------------------------	--

Type of Request (Tick one)	NEW	CHANGE
1 Company Name		
2 Address		
3 City with PIN Code		
4 State		
5 PAN Number		
6 TIN/ VAT No.		
7 CST No.		
8 Service Tax No.		
9 Name of Contact Person		
10 Mobile number		
11 Ph. no. with STD Code		
12 Fax No. with STD Code		
13 Email ID		
14 Website (URL)		

BANK DETAILS FOR EFT / RTGS

1	Bank Name	
2	Branch	
3	Branch Code	
4	Branch Address	
5	Branch Phone No	
6	Account No.	
7	Account Type: SB/ Current/ other (Specify)	
8	MICR Code	
9	IFSC Code	

I, as an authorized representative / owner of the above named company, hereby state as under:

1. Enclosed here with a cancelled cheque in support of our company's bank details.
2. Authorize BHEL R&D Hyderabad, to electronically make payments to the designated bank account with bank charges, if any, to our account.
3. If the transaction is delayed or not effected at all for reasons of incomplete or incorrect information, I would not hold BHEL / transferring Bank responsible.
4. I hereby certify that the particulars given above are true, complete and correct.
5. This authority remains in full force until BHEL receives and acknowledge written notification requesting change or cancellation.

Date :
Company
Seal

Authorised Signatory
Designation :



Corp. R&D
DIVISION
VIKAS
NAGAR,

RD:MPX:F-13

Bharat Heavy Electricals Limited

HYDERABAD- 500 093 (INDIA)

Ph: 040 - 23772704, Fax: 040 - 23770698, email: mpx@bhelrnd.co.in

VENDOR REGISTRATION FORM

(Indigenous supplier)

[FORM TO BE SUBMITTED* BY THE BIDDER ALONG WITH TECHNICAL-BID]

Before filling, please refer to instructions on page-4

1.0 VENDOR PROFILE:

1.1 Name and address of the vendor:

Phone Nos.:

Fax No.:

Email: 1. _____ 2. _____

1.2 Local representative name & address in Hyderabad/Secundrabad :

Phone Nos.:

Fax No.:

Email:

Contact Person:

Mobile No:

2.0 TYPE OF ORGANISATION:

PROPRIETORSHIP	Company:	Sister Concern (mention vendor registration number of main organization)	
Partnership	CORPORATION	Small Scale Industry	ANY OTHER(Please specify)

In case of SSI unit, copy of registration to be enclosed. It is requested that MSME registration certificate to be enclosed

3.0 ANNUAL TURN OVER:

#	Year	Turn-Over, Rs.
1	Current Year(budgeted)	
2	Previous year (200 - 0)	
3	Prior Year (200 - 0)	

4.0 NAME AND ADDRESS OF THE BANKER:

4.1 Bank Name

4.2 Branch name

4.3 Account number

4.4 Account Type

4.5 MICR Code:

4.6 IFSC Code(RTGS/NEFT):

4.7 Bank Phone number(s),

Blank cheque, duly cancelled, to be enclosed.

Please note that all payments shall be made through Electronic clearance services to your above account against the orders executed, if any.

5.0 REGISTRATION PARTICULARS(relevant copies to be enclosed)

5.1 IT Permanent Account No.(PAN):

5.2 State Sales Tax/VAT Registration No:

5.3 Central Sales Tax Registration No:

5.4 ED Registration No:

5.5 Service Tax Registration No:

5.6 PF Account No:

5.7 Labour Licence No:

5.8 ESI Account No:

6.0 CONTACT PERSON: S/Sri:

Designation:

Phone / Mobile No:

7.0 TOTAL NUMBER OF EMPLOYEES:

Graduates (Engr/Scientists/Mgmt/Fin.)	Consultants	Workers		
		Sup./Skilled	Semiskilled	Unskilled

8.0 LIST OF PRODUCTS/ SERVICES OFFERED:

#	Products/ Services	Capacity
1		
2		
3		
4		
5		
6		

9.0 REFERENCE LIST :

(Only recognized public and private sector companies, attach if printed copy available)

#	Customer	Volume / Year
1		
2		
3		
4		
5		

6		
7		

10.0 INFRASTRUCTURE / FACILITIES:

#	Facility (with specifications)	Age/ Year procured
1		
2		
3		
4		
5		
6		
7		
8		
9		
10		

11.0 REGISTRATION WITH OTHER BHEL UNIT/UNITS:

#	Unit	Registration No	Year
1			
2			
3			
4			

12.0 ANY OTHER INFORMATION :**DECLARATION:**

The information furnished above is true and authentic.

(CEO / PROPRIETOR)

SEAL:

DATE:

Note:

1. Registered bidders, having BHEL (R&D) registration no. or have submitted this format for registration, need not furnish this information again.
2. The competent authority reserves the right to accept or reject the registration.
3. Vendors approved for registration will be informed by mail / email, as convenient. A separate communication will be sent in case of non-registration also, citing reasons thereof.
4. BHEL reserves the right to take penal action as deemed fit if any of the information provided by the vendor(s) is found to be incorrect.
5. AGM, Head (MM) may be contacted for clarification/additional information on registration.

Instructions

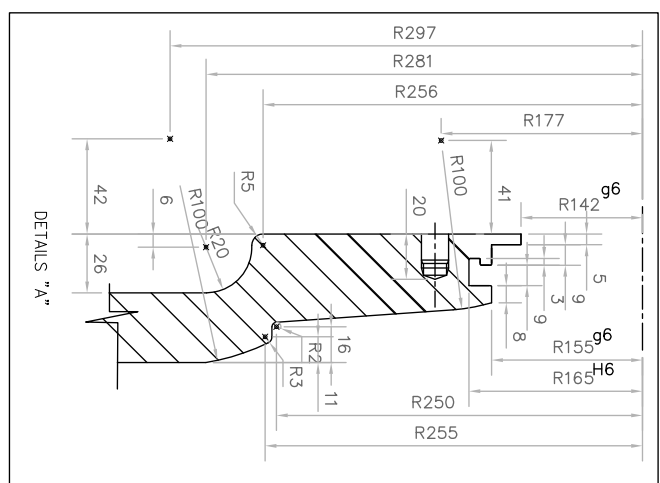
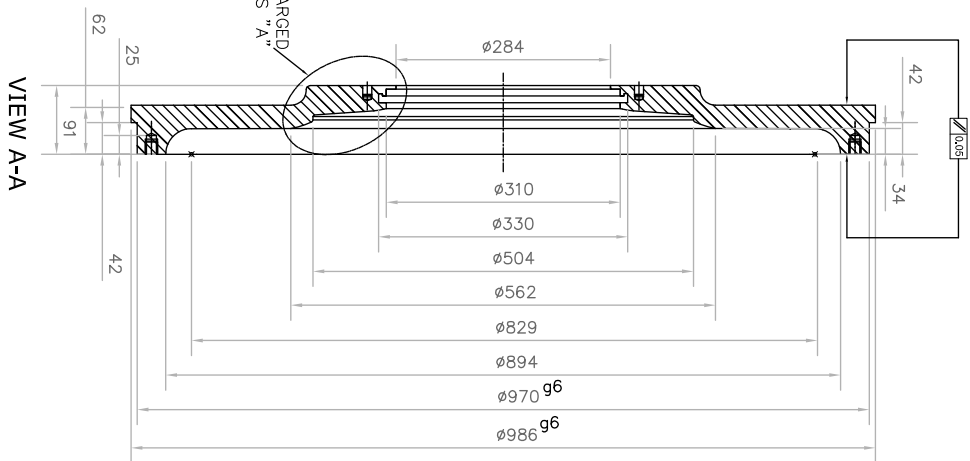
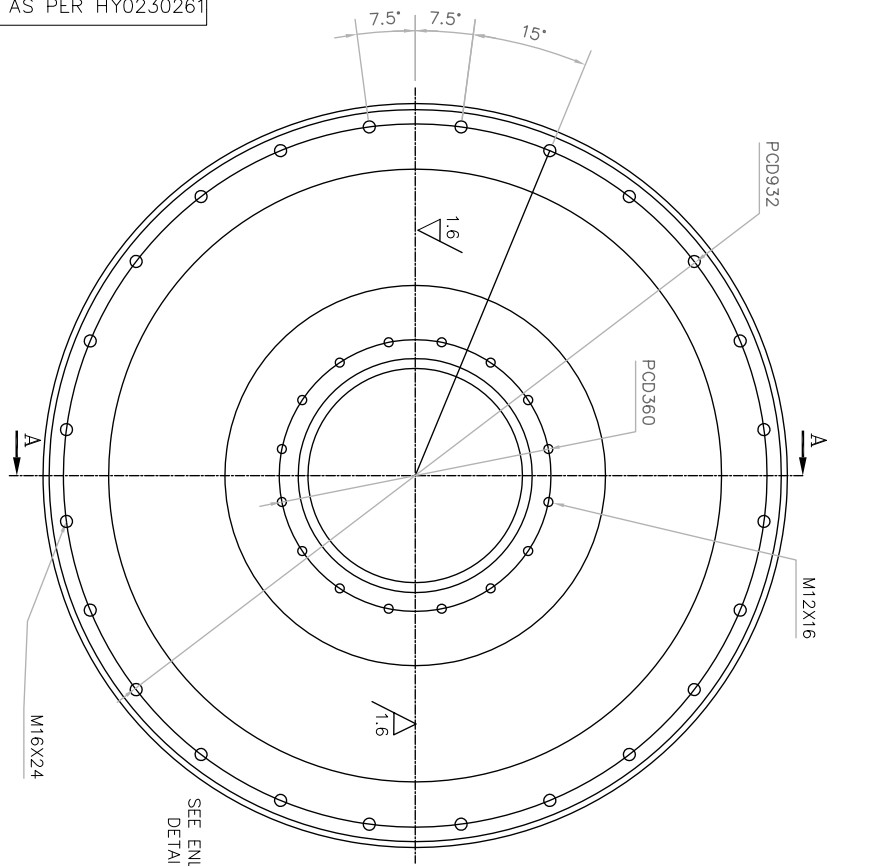
1. Fill all items. Please mention "N.A." for items/ clauses not applicable.
2. Use A4 sheets for this document and the enclosures. Use of additional sheets is permitted if space provided is not adequate.
3. Attach copies of latest documents in respect of items 5.0 (Registration no.s)
4. Photographs of registered office and the chief executive/proprietor shall be furnished.

COMPUTER FILE NAME THE INFORMATION ON THIS DOCUMENT IS THE PROPERTY OF BHARAT HEAVY ELECTRICALS LIMITED. IT MUST NOT BE USED DIRECTLY OR INDIRECTLY IN ANY WAY DETRIMENTAL TO THE INTEREST OF THE COMPANY

33320900169-S00-R00.DWG

INVENTORY NO

GENERAL DIMENSIONAL LIMITS, FITS & TOLERANCES AS PER HY0230261



SPLIT IN TO TWO PARTS

TYPE OF PRODUCT OR PERFORMANCE TESTING OF 500 MM DIA. 2D F5 IMPELLER
 NAME OF CUSTOMER/PROJECT (QYH-13-599-RD-50)



BHARAT HEAVY ELECTRICALS LIMITED
 Corp. R&D Division, Vikasnagar
 HYDERABAD - 500 093

DRN: VINAY	NAME	SIGN.	DATE	NO. OF VAR.
CHD: AMBRISH			03.02.15	
APPD: N.K.SINGH				N.A

DEPT. TML CODE 050	UNTOOL. DIMS. GR. C/M/F	SCALE N.T.S	WEIGHT (KG) APPD. N.K.SINGH	REF. TO ASSY. DRG. RD DG 3 TM 15 F-1	ITEM NO. N.A	NO. OF ITEMS N.A
--------------------	-------------------------	-------------	-----------------------------	--------------------------------------	--------------	------------------

TITLE DIAPHRAGM PART-1		CARD CODE N.A.	DRAWING NO. RD DG 3 TM 15 F-3	REV. 0
SHT. No 1	NO. OF SH. 1			

THIS IS TENTATIVE DRAWING.

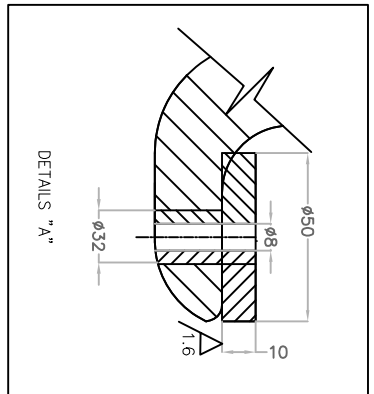
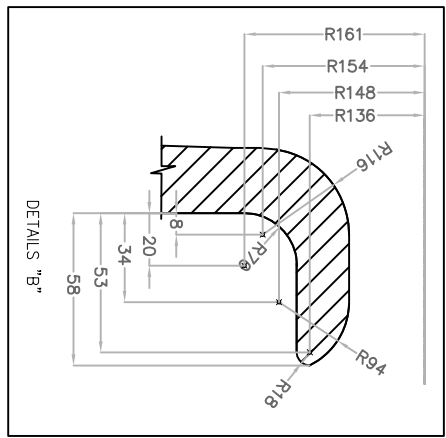
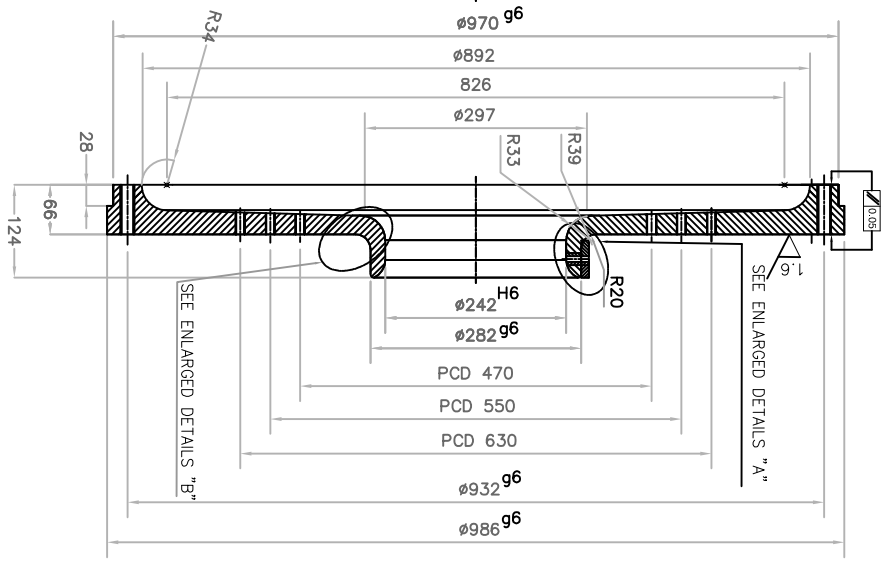
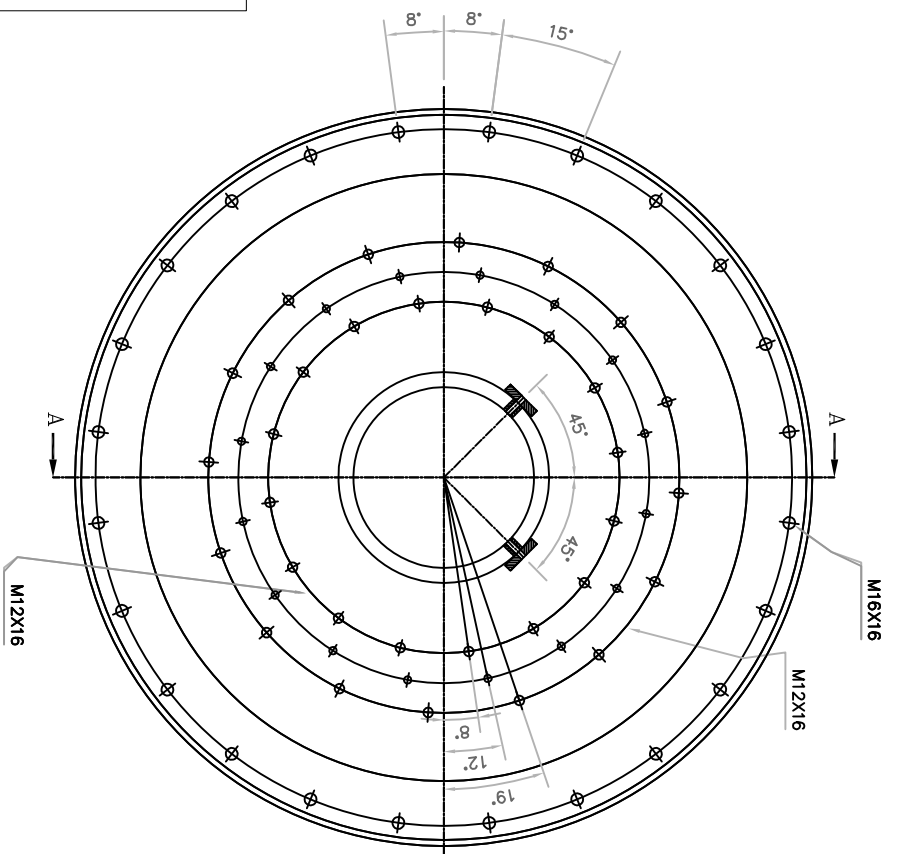
- GENERAL NOTE:
- 1) IN CASE OF DOUBT, DON'T ASSUME, PLEASE ASK.
 - 2) GENERAL DIMENSIONAL TOLERANCE IS ±0.1 MM
 - 3) HORIZONTAL SPLIT
 - 4) MATERIAL: IS: 2062 FE 410 W

THE INFORMATION ON THIS DOCUMENT IS THE PROPERTY OF BHARAT HEAVY ELECTRICALS LIMITED. IT MUST NOT BE USED DIRECTLY OR INDIRECTLY IN ANY WAY DETRIMENTAL TO THE INTEREST OF THE COMPANY

COMPUTER FILE NAME
33320900169-S00-R00.DWG

INVENTORY NO

GENERAL DIMENSIONAL LIMITS, FITS & TOLERANCES AS PER HY0230261



THIS IS TENTATIVE DRAWING.

GENERAL NOTE:

- 1) IN CASE OF DOUBT, DON'T ASSUME, PLEASE ASK.
- 2) GENERAL DIMENSIONAL TOLERANCE IS ±0.1 MM
- 3) HORIZONTAL SPLIT
- 4) MATERIAL: IS: 2062 FE 410 W.

VIEW A-A

SPLIT IN TO TWO PARTS

TYPE OF PRODUCT OR NAME OF CUSTOMER/PROJECT
PERFORMANCE TESTING OF 500 MM DIA. 2D F5 IMPELLER
(QYH-13-599-RD-50)

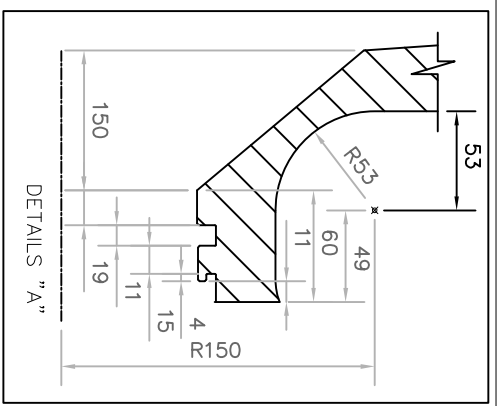
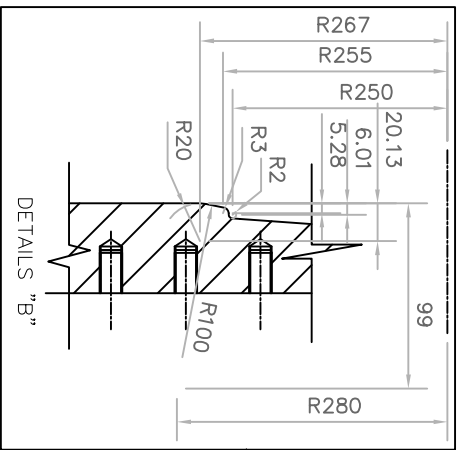
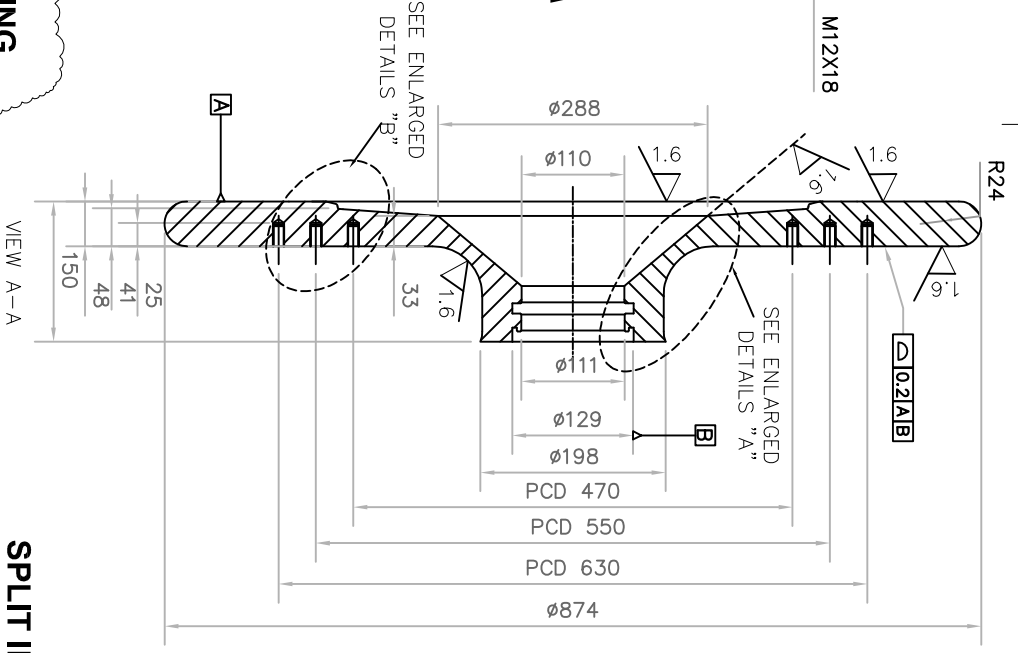
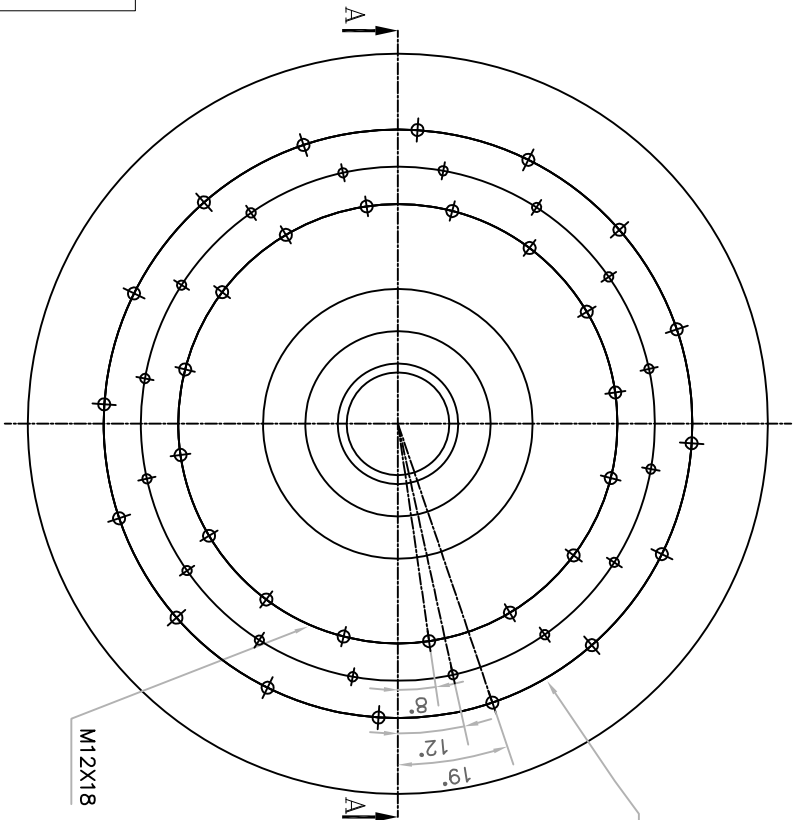


BHARAT HEAVY ELECTRICALS LIMITED
Corp. R&D Division, Vikasnagar
HYDERABAD - 500 093

DEPT. TML	UNTOOL. DIMS. GR. C/M/F	SCALE N.T.S	WEIGHT (KG)	REF. TO ASSY. DRG.	ITEM NO.	NO. OF ITEMS
030				RD DG 3 TM 15 F-1		N/A

TITLE	CARD CODE	SHT. No	NO. OF SHIT.	REV.
DIAPHRAGM PART-2	N.A.	1	1	0
DRAWING NO. RD DG 3 TM 15 F-4				

NAME	SIGN.	DATE	NO. OF VAR.
VINAY		03.02.15	
CHD. AMRISH			
APPD. N.K.SINGH			



THIS IS TENTATIVE DRAWING.

SPLIT IN TO TWO PARTS

- GENERAL NOTE:
- 1) IN CASE OF DOUBT, DON'T ASSUME, PLEASE ASK.
 - 2) GENERAL DIMENSIONAL TOLERANCE IS ± 0.1 MM
 - 3) HORIZONTAL SPLIT
 - 4) MATERIAL: IS: 2062 FE 410 W.

TYPE OF PRODUCT OR PERFORMANCE TESTING OF 500 MM DIA. 2D F5 IMPELLER
 NAME OF CUSTOMER/PROJECT (QYH-13-599-RD-50)



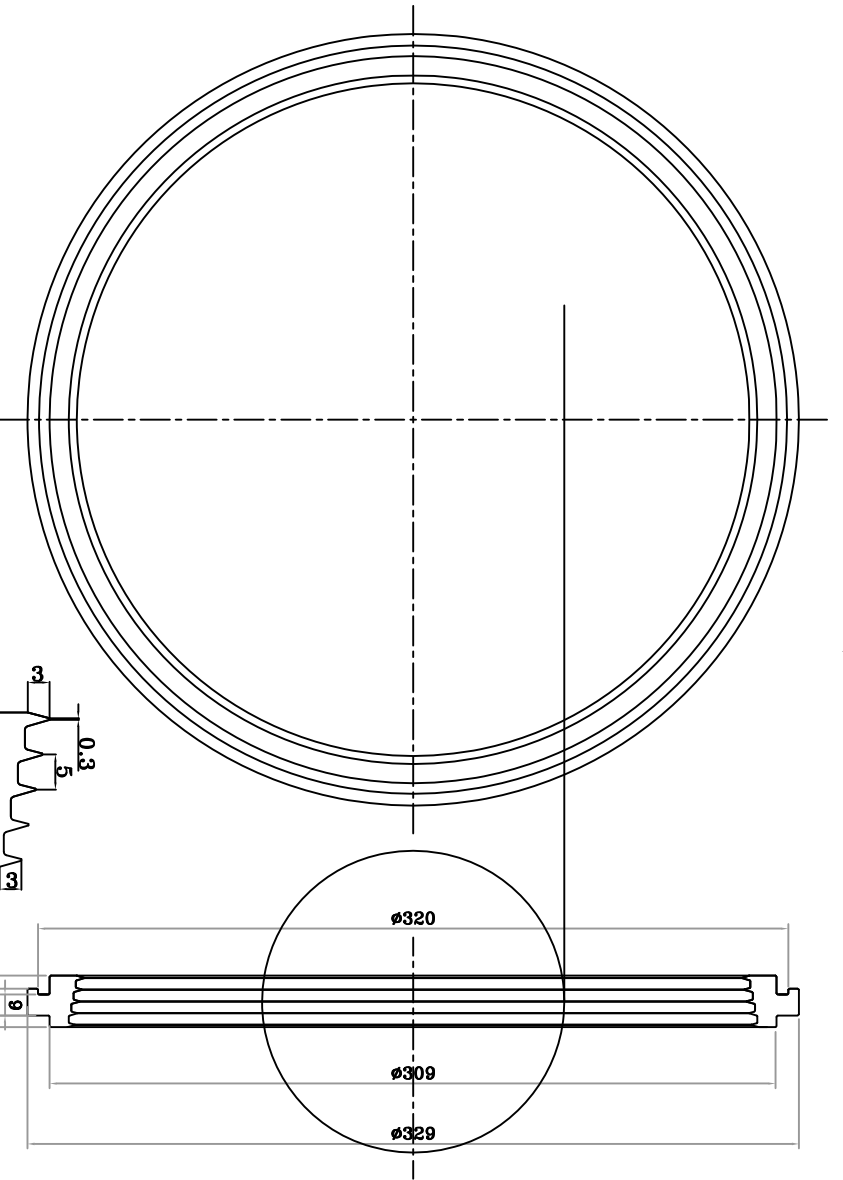
BHARAT HEAVY ELECTRICALS LIMITED
 Corp. R&D Division, Vikasnagar
 HYDERABAD - 500 093

DEPT. TML CODE 030	UNTOOL. DIMS. GR. C/M/F	SCALE N.T.S	WEIGHT (KG) REF. TO ASSY. DRG. RD DG 3 TM 15 F-1	ITEM NO. OF ITEMS N.A
DRN. VINAY	CHD. AMBRISH	APPD. PGS	NAME VINAY	SIGN. DATE 04.02.15

TITLE	CARD CODE	SHT. No	NO. OF SHT.	REV.
DIAPHRAGM PART-3	RD DG 3 TM 15 F-5	1	1	0

FIRST ANGLE PROJECTION

(ALL DIMENSIONS ARE IN mm)



THIS IS TENTATIVE DRAWING.

SPLIT IN TO TWO PARTS

TYPE OF PRODUCT OR PERFORMANCE TESTING OF 500 MM DIA. 2D F5 IMPELLER
 NAME OF CUSTOMER/PROJECT (QYH-13-599-RD-50)



BHARAT HEAVY ELECTRICALS LIMITED
 Corp. R&D Division, Vikasnagar
 HYDERABAD - 500 093

NAME	SIGN.	DATE	NO. OF VAR.
DRN. VINAY		03.02.15	
CHD. AMBRISH			
APPD. N.K.SINGH			

DEPT. TML	UNTOOL. DIMS.	SCALE	WEIGHT (KG)	REF. TO ASSY. DRG.	ITEM NO.	NO. OF ITEMS
030	C/M/F	N.T.S		RD DG 3 TM 15 F-1		N.A

TITLE	CARD CODE	DRAWING NO.	REV.
IMPELLER SEAL	N.A.	RD DG 3 TM 15 F-6	0

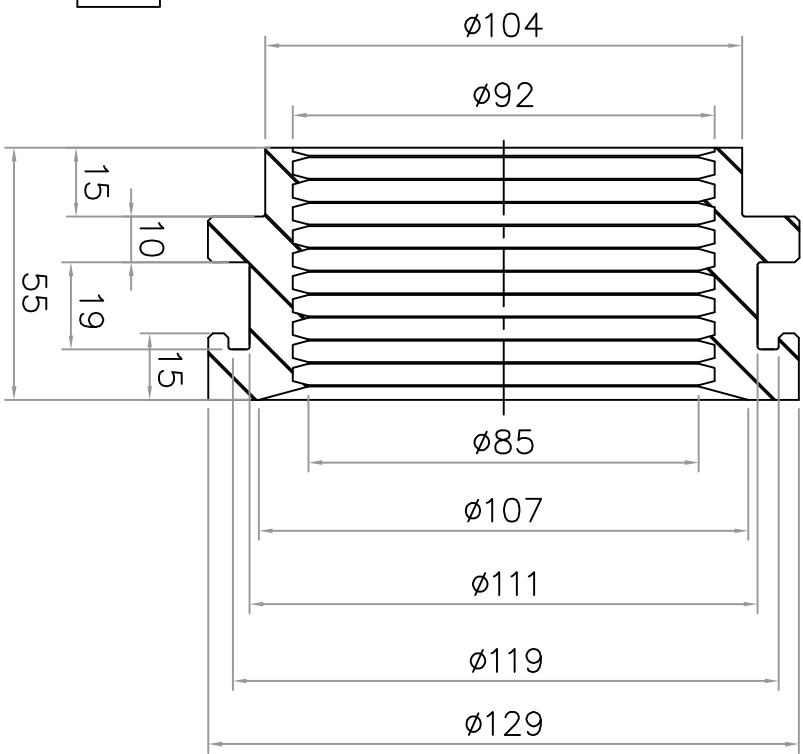
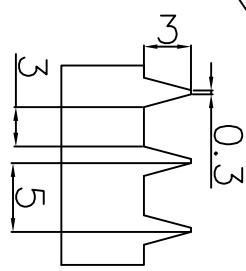
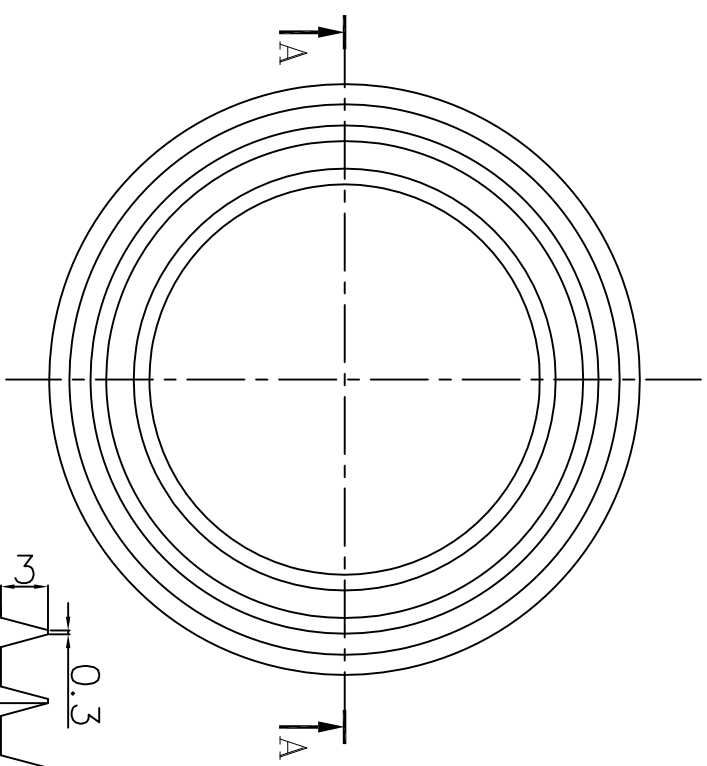
GENERAL DIMENSIONAL LIMITS, FITS & TOLERANCES AS PER HYO230261

- GENERAL NOTE:
- 1) IN CASE OF DOUBT, DON'T ASSUME, PLEASE ASK.
 - 2) GENERAL DIMENSIONAL TOLERANCE IS ± 0.1 MM
 - 3) HORIZONTAL SPLIT
 - 4) MATERIAL: AVONAL 14

INVENTORY NO. COMPUTER FILE NAME: THE INFORMATION ON THIS DOCUMENT IS THE PROPERTY OF BHARAT HEAVY ELECTRICALS LIMITED. IT MUST NOT BE USED DIRECTLY OR INDIRECTLY IN ANY WAY DETRIMENTAL TO THE INTEREST OF THE COMPANY

33320900169-S00-R00.DWG

GENERAL DIMENSIONAL LIMITS, FITS & TOLERANCES AS PER HY0230261



THIS IS TENTATIVE DRAWING.

GENERAL NOTE:

- 1) IN CASE OF DOUBT, DON'T ASSUME, PLEASE ASK.
- 2) GENERAL DIMENSIONAL TOLERANCE IS ±0.1 MM
- 3) HORIZONTAL SPLIT
- 4) MATERIAL: AVIONAL 14

SPLIT IN TO TWO PARTS

TYPE OF PRODUCT OR PERFORMANCE TESTING OF 500 MM DIA. 2D F5 IMPELLER
 NAME OF CUSTOMER/PROJECT (QYH-13-599-RD-50)



BHARAT HEAVY ELECTRICALS LIMITED
 Corp. R&D Division, Vikasnagar
 HYDERABAD - 500 093

DEPT. TML	UNTOOL. DIMS.	SCALE	WEIGHT (KG)	REF. TO ASSY. DRG.	ITEM NO.	NO. OF ITEMS
CODE 030	GR. C/M/F	N.T.S		RD DG 3 TM 15 F-1		N.A
			APPD. N.K.SINGH			
			DRN. VINAY		03.02.15	
			CHD. AMRISH			
						N.A

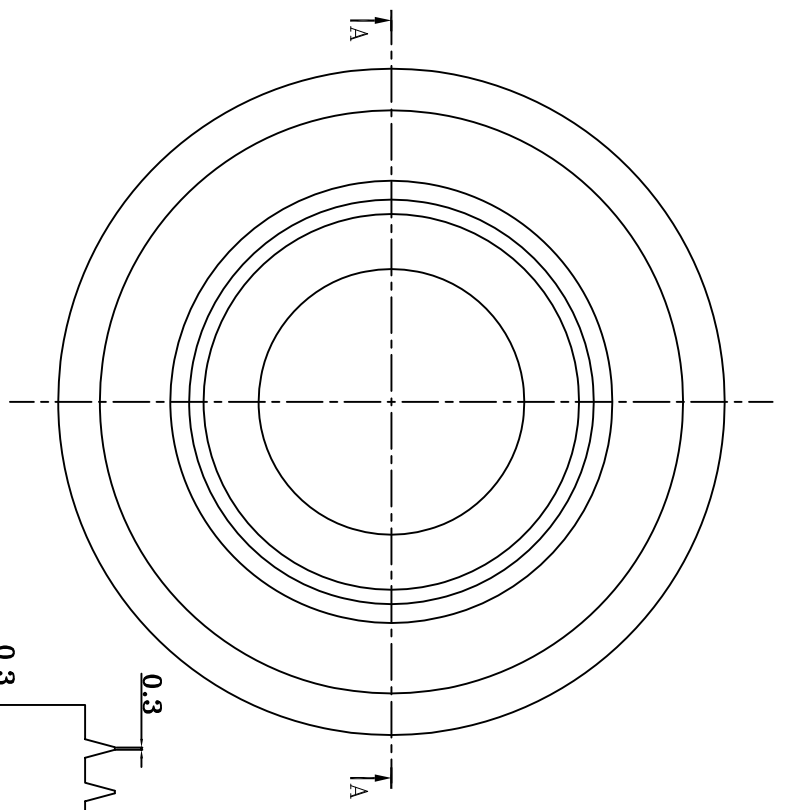
TITLE		CARD CODE	DRAWING NO.	REV.
SHAFT SEAL		N.A.	RD DG 3 TM 15 F-7	0
SHT. No. 1	NO. OF SHT. 1			

COMPUTER FILE NAME THE INFORMATION ON THIS DOCUMENT IS THE PROPERTY OF BHARAT HEAVY ELECTRICALS LIMITED. IT MUST NOT BE USED DIRECTLY OR INDIRECTLY IN ANY WAY DETRIMENTAL TO THE INTEREST OF THE COMPANY

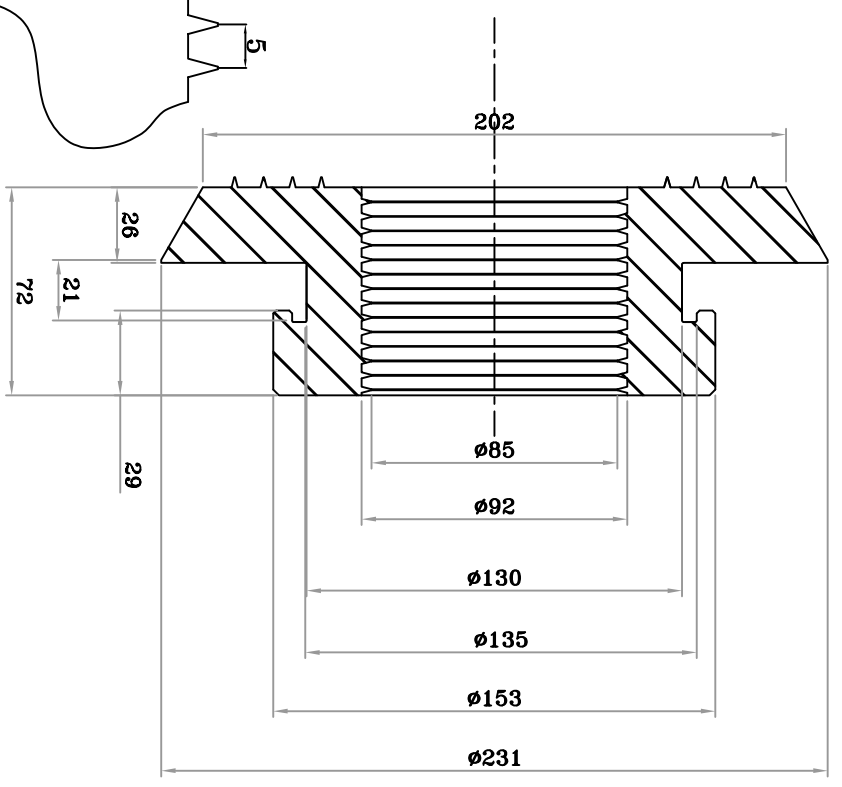
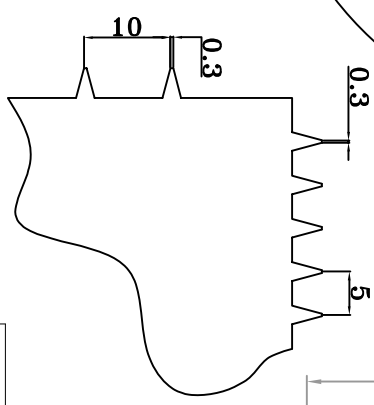
33320900169-S00-RD0.DWG

INVENTORY NO

GENERAL DIMENSIONAL LIMITS, FITS & TOLERANCES AS PER HY0230261




THIS IS TENTATIVE DRAWING.

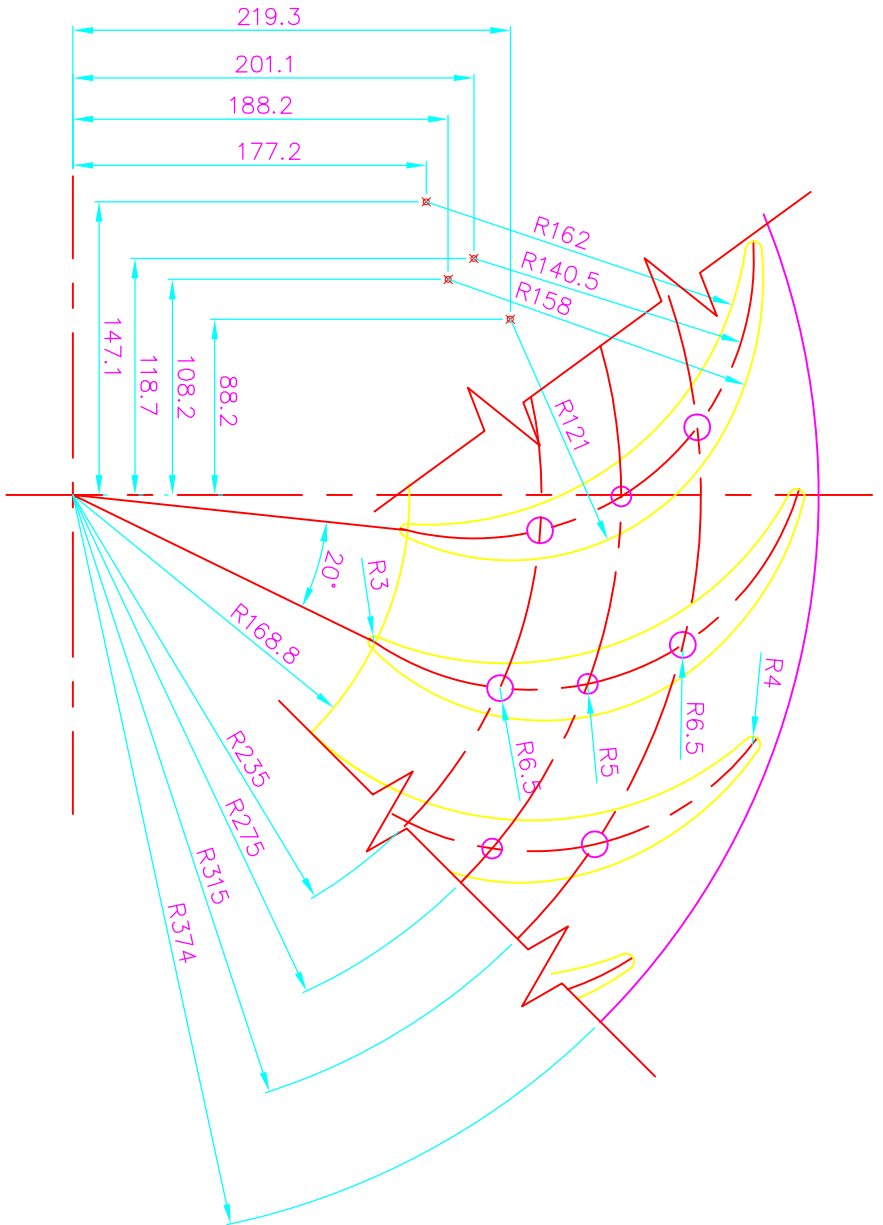
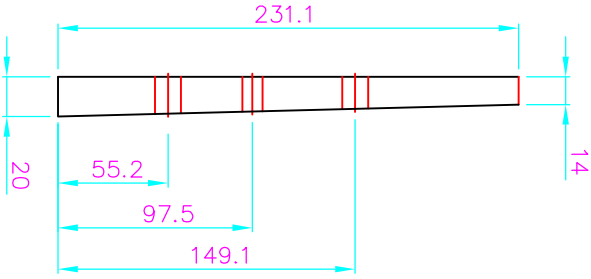


VIEW A-A
SPLIT IN TO TWO PARTS

- GENERAL NOTE:
- 1) IN CASE OF DOUBT, DON'T ASSUME, PLEASE ASK.
 - 2) GENERAL DIMENSIONAL TOLERANCE IS ± 0.1 MM
 - 3) HORIZONTAL SPLIT
 - 4) MATERIAL: AVIONAL 14

TYPE OF PRODUCT OR NAME OF CUSTOMER/PROJECT		PERFORMANCE TESTING OF 500 MM DIA. 2D F5 IMPELLER (QYH-13-599-RD-50)	
DEPT. TML CODE 030		UNTOOL. DIMS. GR. C/M/F	
		BHARAT HEAVY ELECTRICALS LIMITED Corp. R&D Division, Vikasnagar HYDERABAD - 500 093	
TITLE		SCALE	
BEARING SEAL		N.T.S	
CARD CODE N.A.		WEIGHT (KG) REF. TO ASSY. DRG. RD DG 3 TM 15 F-1	
SHT. No 1		NO. OF SHT. 1	
DRAWING NO. RD DG 3 TM 15 F-8		REV. 0	
NAME VINAY	SIGN.	DATE 03.02.15	NO. OF VAR.
CHD. AMBRISH			N/A
APPD. N.K.SINGH			

GENERAL DIMENSIONAL LIMITS, FITS & TOLERANCES AS PER HYO230261



THIS IS TENTATIVE DRAWING.

- GENERAL NOTE :
- 1) ALL TOLERANCES ARE ± 0.1
 - 2) IN CASE DOUBT, DON'T ASSUME, PLEASE ASK.
 - 3) VANES FIXING ARRANGEMENT IN THE DISCHARGE DIAPHRAGM SHALL BE DECIDED BY THE MANUFACTURER ALONG WITH BHEL DURING ASSEMBLY. BIDDER SHALL CONSIDER ANY PROVISION REQUIRED FOR FIXING
 - 4) TOTAL NO. OF VANES IS 18.
 - 5) MATERIAL: IS: 2062 FE 410 W

DEPT. TML BHEL BHARAT HEAVY ELECTRICALS LIMITED Corp. R&D Division, Vikasnagar HYDERABAD - 500 093		TYPE OF PRODUCT OR NAME OF CUSTOMER/PROJECT PERFORMANCE TESTING OF 500 MM DIA. 2D F5 IMPELLER (QYH-13-599-RD-50)	
UNTOOL. DIMS. OR. -E- SCALE N.T.S. WEIGHT (KG)	DRN. VIKAS KUMAR CHD. AMBRISH APPD. N.K.SINGH	NAME VIKAS KUMAR AMBRISH N.K.SINGH	SIGN. DATE 03.02.15
TITLE RETURN CHANNEL VANEST	CARD CODE N.A. SHT. No 1	DRAWING NO. RD DG TM 3 TM 15 F-9	NO. OF SHT. 1
NO. OF ITEMS N.A. REV. 0	NO. OF VAR. N.A.	REF. TO ASSY. DRG.	NO. OF ITEMS N.A.