



Bharat Heavy Electricals Limited
(A Government of India Undertaking)
Boiler Auxiliaries Plant
Indira Gandhi Industrial Complex

RANIPET – 632 406- INDIA

Ph :++91 4172 284172/284133 Fax:++91 4172 41131 E-Mail : kesavan@bhelrpt.co.in, pkpancholi@bhelrpt.co.in

FAX: 91-044-22432708

ENQUIRY NO. :5250492E
ENQUIRY DATE : 16/07/2015
DUE DATE : 30/07/2015

Sub: Requirement of Bush as detailed bellow.

Sl No	Description	Quantity (In Nos)	Delivery Requirement
001	Material Code R55433960000 BUSH GS-24 AS PER DRG NO:4-55-227-02901.	576	24.10.2015
002	Material Code R55434100000 BUSH GS-22 AS PER DRW NO:4-55-227-02804.	120	24.09.2015
003	Material Code R55434130000 BUSH AL 14 AS PER DRG NO:4-55-216-02712	96	24.09.2015

ANNEXURE –“A”

Tender Ref No. 5250492E

COMMERCIAL TERMS AND CONDITIONS

(To be filled in full and to be submitted along with offer)

SL. NO	DESCRIPTION	BHEL'S REQUIREMENT	SUPPLIER'S COMMENTS
01	PRICE	Firm till completion of order.	
02	DELIVERY TERMS	FOR, DESTINATION (BHEL,Ranipet-Stores)	
03	PACKING&FORWARDING	Included. (if extra indicate in %)	
04	FREIGHT & INSURANCE	Included.	
05	EXCISE DUTY in %	To be indicated by supplier. (MODVAT copy to be provide along with supply)	
06	SALES TAX in %	To be indicated by supplier. (concessional form C / XVII will be given)	
07	OCTROI	If any, to supplier's account only.	
08	PAYMENT	100% within (45/90) days after receipt & acceptance of materials at our end. (Kindly note that our present standard payment terms for NON - MSE vendors is "100% within 90 days of receipt and acceptance of materials at our stores". Please confirm your acceptance for the same. In the event of any deviation in the above payment terms the following loading on your base rate will be done as below." Base rate of SBI (as applicable on the date of techno commercial bid opening) + 6% shall be considered for loading for the period of relaxation sought by you")	
09	DELIVERY PERIOD	To be indicated by supplier	
10	L.D.CLAUSE	As indicated in Enquiry (as per IMPORTANT NOTE) Confirmation L.D. clause as indicated in Enquiry @ 0.5% per week subject to a maximum of 10% for the delayed delivery. (In case any bidder is not accepting the above penalty for delayed Supply, the offer of bidder shall be loaded to the extent to which it is not agreed by the bidder. Example: If the Supplier has accepted for maximum 5% penalty clause, then balance 5% will be loaded for evaluating lowest bidder)	
11	OFFER VALIDIT	Minimum 90 days from the date of opening.	
12	INSPECTION BEFORE DESPATCH	Will be done at Your Works Before Dispatch	
13	TEST CERTIFICATE	Required	
14	GUARANTEE CERTIFICATE (Period: 12 months from the date of commissioning (or) 18 months from the date of supply which ever is earlier.	Required	
15	RISK PURCHASE (PLEASE REFER OVERLEAF OF ENQUIRY FORMAT CLAUSE:7)	SPECIFICALLY CONFIRM YOUR ACCEPTANCE	
16	MSME STATUS (MICRO/SMALL/MEDIUM)	To be indicated by supplier.	
17	MANUFACTURING PLACE & COUNTRY	To be indicated by supplier.	

Date:

SIGNATURE WITH SEAL

ANNEURE – “B” TO Tender Ref NO: 5250492E
 REQUIREMENT OF TECHNICAL DETAILS /CONFIRMATION
 (To be filled in full and to be submitted along with offer)

S.NO	DESCRIPTION	BHEL'S REQUIREMENT	SUPPLIER'S COMMENTS
01	SPECIFICATION	Clause wise / Point wise confirmation to be given in TOTO for all specifications & to be submitted along with offer. (i.e. Xerox copy of specn duly filled with your acceptance / comments duly signed & sealed).	
02	DATA SHEET / DRGS	Filled Data Sheet and your Drgs are to be submitted along with offer. (if applicable).	
03	QUALITY PLAN	Your Quality Plan to be submitted for our review & approval along with offer.	
04	SPECIFICATION DEVIATION DISPOSITION REPORT (SDDR)	Attached SDDR to be filled & submit along with offer. (Even NO deviation is taken, NIL report to be submitted).	

Date:

SIGNATURE WITH SEAL

(to be submitted along with the offer)

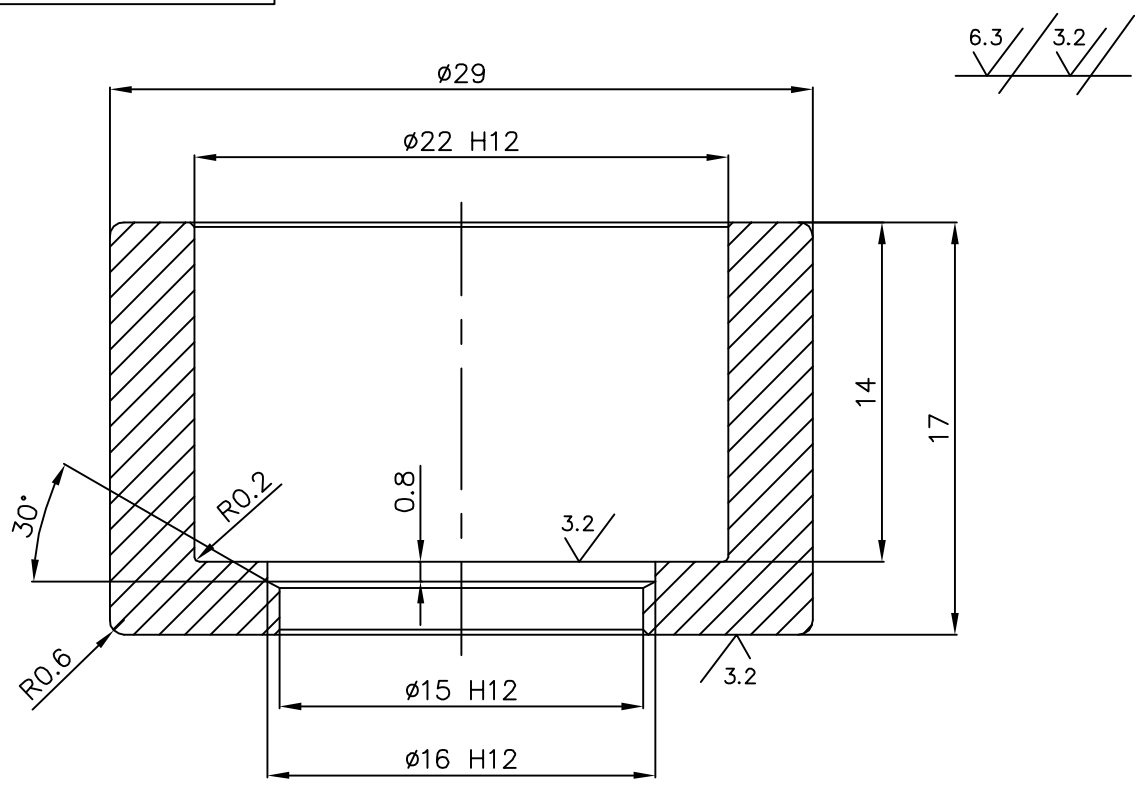
SPECIFICATION DEVIATION DISPOSITION REPORT			
Specn		Item	
Enq. No & Date			
Vendor Name			
SPECN			
Page	Clause	Details Of Deviation With Reason	Disposition By BHEL
Signature Of Vendor			Reviewed By
" AGREED DEVIATION "			APPROVED BY
if any to be incorporated in the PO in the event of order.			

CAUTION: The information on this document is the property of BHARAT HEAVY ELECTRICALS LTD. It must not be used directly or indirectly in any way detrimental to the interest of the company.

REV	DATE	ALTERED
		CHECKED

ALL DIMENSIONS ARE IN MILLIMETRES

FOR PRODUCTION
 REF. PR:QA:590 FOR PAINTING
 REF. PR:QA:500 FOR UNTOL. DIMNS.
 REF. APPLICABLE GMS FOR MATCODE&SPEC.



NOTES:-

- 01. ALL NON DIMENSION EDGES CHAMFERED $0.2 \times 45^\circ$
- 02. COMPLETE SURFACE NICKEL-PLATED WITH THICKNESS OF 0.03 mm.

DIMENSION	TOLERANCE
22 H12	+0.210 0.000
15 H12	+0.180 0.000
16 H12	+0.180 0.000

01	BUSH AL 14		P		0.042
					1
ITEM NO.	DESCRIPTION	STD	MATL. CODE	A UNIT	UNIT WT.
			MATL. SPECN.	C DI	QTY

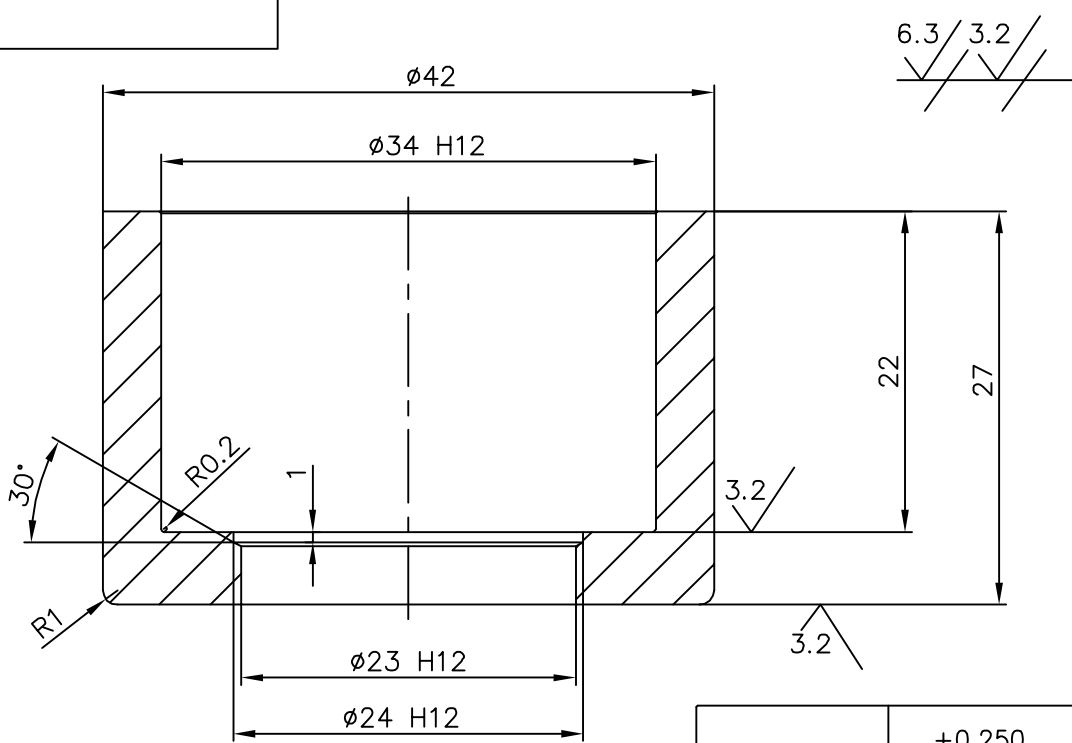
	BHARAT HEAVY ELECTRICALS LTD., UNIT: BOILER AUXILIARIES PLANT, RANIPET - 632 406.		DRN	P.SHAKI.O/L	SIGN	DATE	NO. OF VAR
			CHD	MAHESH			
			APPD	P.M.J.			
DEPT FANS CODE 864	GRADE OF UNTOL.DIM PR: QA:500		SCALE N.T.S.	WEIGHT (KG). 0.042	REF. TO ASSY./OLD DRG. 4GA21286A	ITEM NO.	NO. OF ITEMS
TITLE BUSH AL 14			CARD CODE U 01	DRAWING NO. 4-55-215-02712			REV

CAUTION: The information on this document is the property of BHARAT HEAVY ELECTRICALS LTD. It must not be used directly or indirectly in any way detrimental to the interest of the company.

REV	DATE	ALTERED
		CHECKED

ALL DIMENSIONS ARE IN MILLIMETRES

FOR PRODUCTION
 REF. PR:QA:590 FOR PAINTING
 REF. PR:QA:500 FOR UNTOL. DIMNS.
 REF. APPLICABLE GMS FOR MATCODE&SPEC.



ø34 H12	+0.250
	0.000
ø23 H12	+0.210
	0.000
ø24 H12	+0.210
	0.000
DIMENSION	TOLERANCE

NOTES:-

- 01. ALL NON DIMENSIONED EDGES CHAMFERED TO 0.2X45°
- 02. COMPLETE SURFACE NICKEL-PLATED: DURNICOAT DNC 520 LAYER THICKNESS 0.03 MM

01	BUSH GS-22				0.120
		42 CrMo4+QT			1
ITEM NO.	DESCRIPTION	MATL. CODE	A	UNIT	UNIT WT.
		MATL. SPECN.	C	DI	QTY



BHARAT HEAVY ELECTRICALS LTD.,
 UNIT: BOILER AUXILIARIES PLANT,
 RANIPET - 632 406.

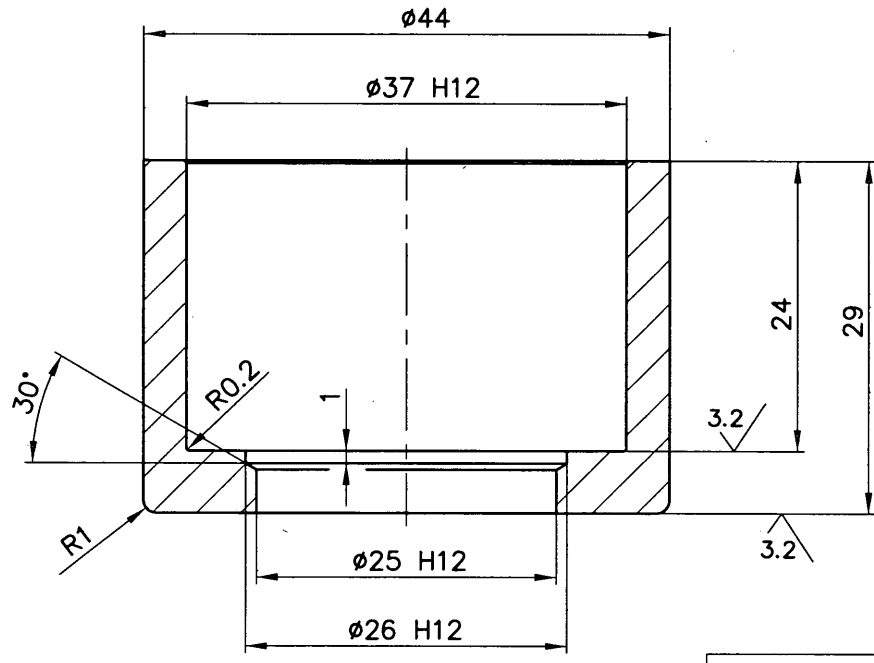
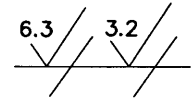
DRN	NAME	SIGN	DATE	NO. OF VAR
CHD	A.SAMU.O/L	Sd/-	16.02.13	
APPD	C.MANOJ.	Sd/-	19.02.13	
	PMJ	Sd/-	20.02.13	

DEPT FANS	GRADE OF UNTOL.DIM	SCALE	WEIGHT (KG).	REF. TO ASSY./OLD DRG.	ITEM NO.	NO. OF ITEMS
CODE 864	PR: QA: 500	NTS	0.120	4_GA_21279_A		
TITLE			CARD CODE	DRAWING NO.	REV	
BUSH GS-22			U 01	4-55-227-02804		

CAUTION: The information on this document is the property of BHARAT HEAVY ELECTRICALS LTD. and must not be used directly or indirectly in any way detrimental to the interest of the company.

REV	DATE	ALTERED
		CHECKED

ALL DIMENSIONS ARE IN MILLIMETRES
 FOR PRODUCTION
 REF. PR:QA:590 FOR PAINTING
 REF. PR:QA:500 FOR UNTOL. DIMNS.
 REF. APPLICABLE GMS FOR MATCODE&SPEC.



Ø37 H12	+0.250 0.000
Ø26 H12	+0.210 0.000
Ø25 H12	+0.210 0.000
DIMENSION	TOLERANCE

NOTES:-

- 01. ALL NON DIMENSIONED EDGES CHAMFERED TO 0.2X45°
- 02. COMPLETE SURFACE NICKEL-PLATED: DURNICOAT DNC 520 LAYER THICKNESS 0.03 MM

01	BUSH GS-24				0.123
					1
ITEM NO.	DESCRIPTION	STD	MATL. CODE	A UNIT	UNIT WT.
			MATL. SPECN.	C DI	QTY

	BHARAT HEAVY ELECTRICALS LTD., UNIT: BOILER AUXILIARIES PLANT, RANIPET - 632 406.		DRN	NAME	SIGN.	DATE	NO. OF VAR
			CHD	MAHESH	-Sd/-	13.11.14	
			APPD	A.V.N	-Sd/-	13.11.14	
DEPT FANS	GRADE OF UNTOL. DIM		SCALE	WEIGHT (KG).	REF. TO ASSY./OLD DRG.	ITEM NO.	NO. OF ITEMS
CODE 864	PR: QA: 500		NTS	0.123	4_GA_21280_A		
TITLE			CARD CODE	DRAWING NO.		REV	
BUSH GS24			U 01	4-55-227-02901			