



பாரத ஹீவீ இலெக்ட்ரிகல்ஸ் லிமிடெட்

भारत हेवी इलेक्ट्रिकल्स लिमिटेड

(भारत सरकार का उपक्रम)

பாய்லர் ஆஃஜிலரீஜ் ப்ளாட்,

इन्दिरा गाँधी इंडस्ट्रियल कॉम्प्लेक्स,

ரானிபெட் - 632 406 (தமிழ்நாடு)

फोन (Phone) : 04172 – 284007

BHARAT HEAVY ELECTRICALS LIMITED

(A Government of India Undertaking)

BOILER AUXILIARIES PLANT,

Indira Gandhi Industrial Complex,

RANIPET– 632 406 (Tamil Nadu)

फैक्स (Fax) : 04172 – 241131

PURCHASE DEPARTMENT

SUPPLIERS REQUIRED

Enquiry Ref: 4250190E Due on 02.06.2015

TITLE	Quantity (Numbers)	Contact Details	Annexures
Sl.no 01) SELF ALIGNING BALL BEARING OF DESIGNATION 1211K SUITABLE FOR DRAWING 3-79-017- 00170/02	3336.000	Shri. Srikanth Ch Engineer/Purchase BHEL-BAP Ranipet-632406, Tamil Nadu Email: srikanthch@bhelrpt.co.in , tvgopal@bhelrpt.co.in , psureshkumar@bhelrpt.co.in Contact Numbers: 04172-284007/2842621/284972 Fax: 04172-241131	<ol style="list-style-type: none">1. Drawing 3-79-017- 00170/022. General Terms and conditions3. Rate Contract Terms and conditions4. Commercial terms and Conditions
Sl.no 2) ADAPTER SLEEVE OF DESIGNATION H211	3120.000		

You are requested to quote the enquiry reference and date in all your future correspondences. This is only a request for quotation, not an order.

BHEL/Ranipet is looking for empanelment of new vendors for supply of “Self Aligning ball Bearing and Adapter Sleeve”. Interested parties are requested to submit their offer in two part bid.

BHEL's Commercial terms & conditions and annexures can be downloaded from BHEL website (<http://www.bhel.com>) or www.tenders.gov.in or <http://eprocure.gov.in/cppp/>. All corrigenda or any addendum to this enquiry shall be published in www.bhel.com only

Tenders should reach us before 14:00 hrs on the due date.

Techno-Commercial bids (With out price) will be opened at 14:30 Hrs on the due date.

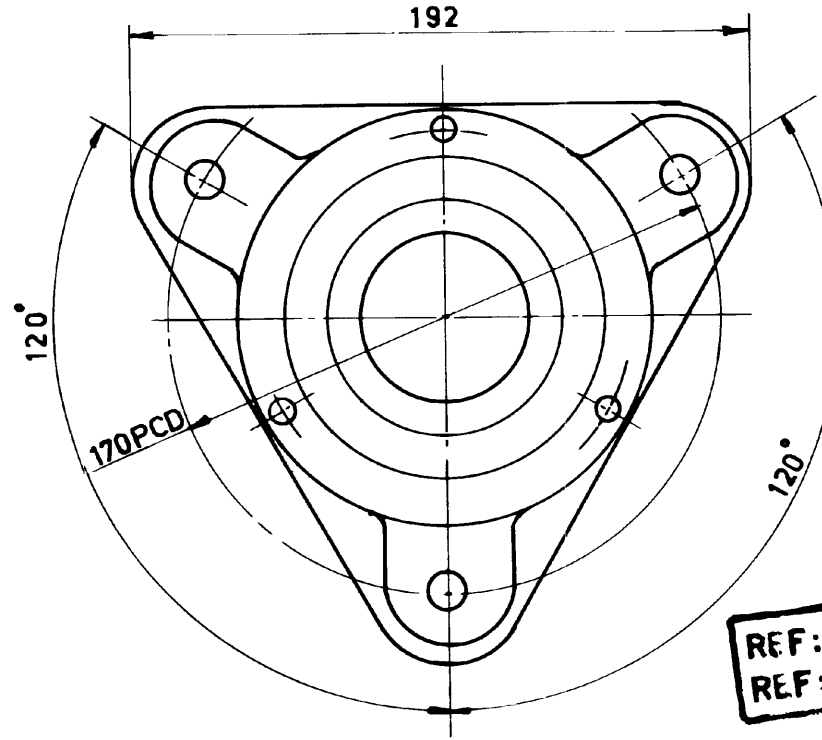
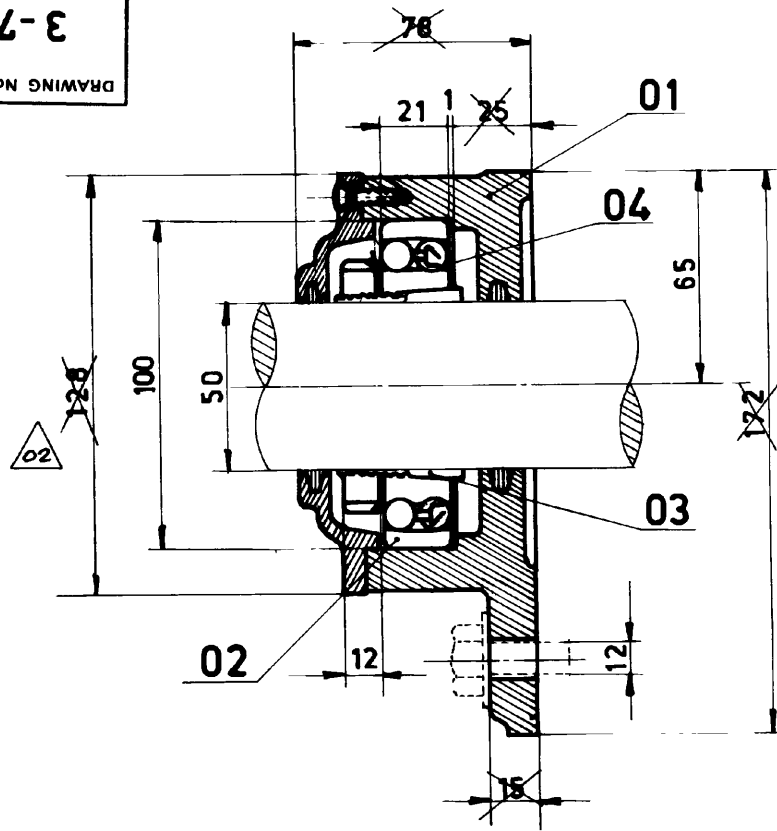
Tenders will be opened in the presence of the tenderers who have submitted their offers and who may like to be present.(An authorization letter should be enclosed attached as mentioned in annexure-A)

पंजीकृत कार्यालय : बीएचईएल हाउस, सीरी फोर्ट, नई दिल्ली – 110 049, भारत
Regd. Office: BHEL House, Siri Fort, New Delhi - 110 049, INDIA

FIRST ANGLE PROJECTION (ALL DIMENSIONS IN MILLIMETRES)

3-79-017-00170

DRAWING NO



REF: P-QA : 590 FOR PAINTING
REF: PRQ : 500 FOR UNTOL. DIMN.

VARIANT NO.	ITEM NO.	DESCRIPTION	STD	DRAWING NO	ITEM NO	MATL CODE	A/C	UNIT	UNIT WT
					VAR NO.	MATL SPEC			QTY
01	04	SPACING WASHER SKF FRB 6/100P							0.013
									2
	03	ADAPTER SLEEVE SKF H211							0.330
									1
	02	SELF ALIGNING BALL BEARING SKF 1211K							0.660
									1
02	01	BEARING HOUSING SKF 722511DB		3-79-017-00507					4.100
									1

CAUTION THE INFORMATION ON THIS DOCUMENT IS THE PROPERTY OF BHARAT HEAVY ELECTRICALS LTD. IT MUST NOT BE USED DIRECTLY OR INDIRECTLY IN ANY WAY DETRIMENTAL TO THE INTEREST OF THE COMPANY

TYPE OF PRODUCT OR NAME OF CUSTOMER/PROJECT

Bharat Heavy Electricals Ltd.,
BOILER PLANT UNIT
TIRUCHIRAPALLI-620 014

DRN	NAME	SIGN	DATE	NO. OF VAR
SKRAMAN	S. KRAMAN	S. KRAMAN	22.1.82	
CND	SMN			
APPD				

DEPT.	GRADE OF UNTOL. DIM	SCALE	WEIGHT (kg)	ITEM NO
AQCS	250	1:2	5.116	
TITLE	CARD CODE	DRAWING NO.	REV	
SKF BEARING ASSY.	U 01	3-79-017-00170	02	

REV	DATE	ALTERED	REV	DATE	ALTERED
02	9.2.93	ALTERED & CHECKED <i>S. KRAMAN</i>	01		ALTERED & CHECKED <i>S. KRAMAN</i>

DIMENSIONS REMOVED
DRG NO ADDED
WT 4.071 CHANGED AS 4.100
HENCE TOTAL WT. CHANGED

ITEM NO 01 & 04 SPECN. & QTY. ALTERED.

Annexure – A: Terms & Conditions

1. Tender shall be submitted in Two parts. Part – 1 shall consist of Technical and all commercial terms without Price (Unpriced Bid) . Part – 2 shall consist only price bid. All the bids shall be submitted in separate covers sealed and superscribing Enquiry No., Due date and Supplier Technical Bid / Price Bid.
2. This enquiry shall be subject to jurisdiction of the Courts at Ranipet, Vellore District, Tamilnadu.
3. Any revised offer (S) sent by vendors on their own, after the tender opening will be treated as “Unsolicited Offer”. Such offers will not be considered and necessary action as deemed fit will be taken by BHEL on those vendors. Hence, competitive offer to be given in the original offer itself.
4. Tender should be sent in duplicate in a sealed cover. Inner cover sealed with tenderer’s distinctive seal and superscribed with correct Tender no., Item of Supply, Due date of opening and Validity of the offer addressed by designation to Manger / Purchase, Bharat Heavy Electricals Limited, Boiler Auxiliaries Plant, Indira Gandhi Industrial Complex, Ranipet, Vellore District – 632406, India.
5. Point wise confirmation required for Tender requirements. Vendor’s shall clearly indicate the offered bearing/adapter sleeve details with all relevant TC’s, Catalogue’s, Make
6. Commercial Terms & Conditions Annexure is to be submitted along with Technical offer.
7. Unpriced Bid (Price bid without price) is to be submitted along with Technical Offer.
- 8. Only Manufacturers / Manufacturer authorized traders are only eligible to quote. Traders shall submit the authorization letter issued by the manufacturer along with offer. One Trader to represent on manufacturer only for the item.**
- 9. Authorization Letter:** Such of those tenderers who wish to participate in the Tender Opening, should attach an authorization letter which shall be duly signed and stamped in original, identifying the representative to be deputed for tender opening
- 10.**Non Acceptance of BHEL commercial terms and Conditions will attract loading on the vendors offers to arrive ranking.

Annexure for procurement of bearing 1211K and adapter sleeve under rate contract

I – Rate Contract Terms and Conditions

- (i) This Enquiry is for entering into Rate Contract for the procurement of bearing 1211K and adapter sleeve required for various projects. Contractual period shall be one year (twelve months) from the date of LOI/PO.
- (ii) *Separate addendum will be issued against firm requirement as and when.*
- (iii) *The rate contract quantity indicated is tentative only.* The qty indicated are not guaranteed requirement. It may increase / decrease. Also Delivery date indicated in the Enquiry is tentative.
- (iv) Rates shall be firm till completion of supplies and shall be valid for ordering for a period of twelve months from the date of Letter of Intent. This means the order can be released on the last date of the Contract period.
- (v) *Delivery is essence of the contract.* Vendor shall indicate the start-up period of the delivery from the date of Letter of Intent and also clearly indicate the quantity of bearing 1211K and adapter sleeve that can be supplied there after (First lot) each month in the offer.
- (vi) Vendor shall offer their prices on F.O.R .BHEL Stores, Ranipet basis i.e. price shall be inclusive of all ie. P&F and Freight & Insurance.
- (vii) Offers shall be submitted in two parts (Two sealed covers) i.e. Technical offer along with commercial terms and condition in one bid and price in another bid. (i.e. on or before enquiry due date by 14.00 Hrs.). Enquiry Number shall be written on the cover.

II - Special Terms and Conditions

- (i) Vendor shall furnish all the details as per the enclosed commercial terms & conditions format Annexure – A .
- (ii) Suppliers shall enclosed notarized MSE copy (in original) along the Chartered accountant letter (in original) to validate the MSE status . for MSE vendor who have submitted the above documents shall be considered for 45 days after SRV payment term , and for remaning all other vendor's it shall be 90 days.
- (iii) Non acceptance of BHEL commercial terms and conditions will attract loading of offer to arrive ranking.
- (iv) Only manufacturers or either manufacturer authorized agents are only allowed to quote. One agent shall represent one manufacturer.

Engineer/ Purchase

Annexure-A for 4250190E
Essential Commercial Terms & Conditions
(to be filled in full and to be submitted along with offer)

SL.NO.	DESCRIPTION	BHEL'S REQUIREMENT	SUPPLIER'S COMMENTS
01.	PRICE	Firm till completion of order.	Deviation Not Allowed
02.	DELIVERY TERMS	F.O.R. DESTINATION [Stores/BHEL/Ranipet as indicated in the enquiry]	
03.	PACKING & FORWARDING	To be included. [if extra indicate in %]	
04.	FREIGHT & INSURANCE	included.[if extra indicate in %]	
05.	EXCISE DUTY in %	To be indicated by vendor. [CENVAT Copy to be provided along with supply]	
06.	SALES TAX in %	To be indicated by vendor for both inter state and intra state dispatches as applicable. [concessional form 'C' will be given]	
07.	OCTROI: If any, to supplier's account only.[since enquiry Destination has been given, vendor has to ascertain the applicability of OCTROI].		No deviation
08.	PAYMENT	"100% within 45 days after the receipt and acceptance of materials at our end" for MSE vendors and "100% in 90 days after SRV for Non MSE vendors". MSE vendor's shall submit CA certificate along with Notarised MSE certificate along with offer	
09.	DELIVERY PERIOD	Supplier to indicate.	
10.	L.D.CLAUSE:	As indicated in Enquiry (as per IMPORTANT NOTE) @0.5% per week, max of 10 % for the delayed delivery.	
11.	OFFER VALIDITY	Minimum 90 days from the date of price bid opening .	
12.	INSPECTION BEFORE DESPATCH	Will be done at Vendor's Works before Dispatch by BHEL / BHEL's customer / BHEL's authorized Inspection agency	
13.	Test / Compliance Certificate	Required	
14.	BHEL Standard Guarantee Clause: Vendor's confirmation to our standard Guarantee clause that the materials are to be guaranteed for satisfactory performance for a period of twelve months from the date of commissioning / putting into use (or) eighteen months from the dispatch which ever is earlier and if any defect is noticed during the above period, the same shall be rectified/replaced free of cost on Ranipet/ Destination basis within a reasonable time. To this effect a Guarantee certificate should be sent along with the dispatch documents in the event an order.		
15.	Risk Purchase Clause: The purchaser at his option will be entitled to terminate the contract and to purchase elsewhere at the risk and cost of the seller either the whole of the goods or any part which the seller has failed to deliver or dispatch within the time stipulated as aforesaid or if the same were not available, the best and the nearest available substitute thereof. The seller shall be liable for all losses and extra expenditure which the purchaser may sustain by reason of such risk purchases in addition to penalty at the rates of LD clause agreed.		
16.	Vendor status like Micro / Small / Medium	To be indicated by vendor [latest copy of MSME certificate shall be furnished along with offer applicable to Indian vendor]	
17.	Place of manufacturing	Indicate the place of manufacturing.	

Date :

VENDOR'S SIGNATURE WITH SEAL

Annexure-A for 4250190E

REQUIREMENT OF TECHNICAL DETAILS /CONFIRMATION

S.NO	DESCRIPTION	BHEL'S REQUIREMENT	SUPPLIER'S COMMENTS
01	SPECIFICATION	Clause wise / Point wise confirmation to be given in TOTO for all specifications& to be submitted along with offer.	
02	DATA SHEET / DRGS.	Filled Data Sheet and your Drgs are to be submitted along with offer.(if applicable).	
03	QUALITY PLAN	To confirm applicable QP will be followed. (OR) Your Quality Plan to be submitted for our review and approval, along with offer.	
04	SPECIFICATION DEVIATION DISPOSITION REPORT (SDDR)	Attached SDDR to be filled & submit along with offer.[In case of NO deviation is taken, NIL report to be submitted]	

SPECIFICATION DEVIATION DISPOSITION REPORT			
Specn		Item	
Enq.No & Date			
Vendor Name			
SPECN			
Page	Clause	Details Of Deviation With Reason	Disposition By Bhel
Signature Of Vendor		Reviewed By	
" AGREED DEVIATION " if any to be incorporated in the PO in the event of order.			APPROVED BY

Date :

VENDOR'S SIGNATURE WITH SEAL

IN THE LETTER HEAD OF THE C.A. FIRM

TO WHOM SO EVER IT MAY CONCERN

This is to certify that M/shaving its registered office atis registered under MSMED Act 2006 and categorized underunit vide their Registration Number.....(copy enclosed)

Further certified that the investment of company in Plant & Machinery as on 31st March is Rs.....Lacs i.e. below Rs.25 Lacs / 5 Crores as permissible for Micro / Small unit respectively under MSMED ACT 2006. Hence the company is under category of Micro/Small(strike off whichever is not applicable) unit for the financial year

It is further certified that cumulative investment in Plant & Machinery during (01/04/..... - till date) is below the permissible limit of Rs.25 lacs / 5 Crores for Micro / Small unit respectively and Company is under the category ofunit as on date i.e. 31/03/.....

The Directors of the company have been instructed to intimate their clients in case of change of investments in Plant & Machinery, if any, in future with proper supporting documents.

This Certificate is **VALID FOR ONE YEAR ONLY** from the date of issue subject to the above referred instruction with reference to **"Change of Investments"**

for
Chartered Accountants

Name:
Membership Number:
Full address
Place:
Date: