



ISO 9001:2008  
& ISO 14001:2004  
NAVARATNA  
COMPANY

57

**MATERIAL MANAGEMENT (PURCHASE)**  
**CENTRAL FOUNDRY FORGE PLANT, BHEL HARDWAR**  
RANIPUR, HARIDWAR (INDIA) – 249403

Phone No. +91-1334-281277/284684, FAX No. 225 192  
e-mail : [ranjank@bhelhwr.co.in](mailto:ranjank@bhelhwr.co.in); [kraj@bhelhwr.co.in](mailto:kraj@bhelhwr.co.in);  
[amitkg@bhelhwr.co.in](mailto:amitkg@bhelhwr.co.in)

**Sub:** Tender Enquiry No: 6201P/360/4/0175F1 due on 15.09.2014, at 2.00 PM

Dear Sir,

We are pleased to invite offer as per enclosed specifications with terms and conditions in sealed covers for the under mentioned items.

| SI No | Tender No          | Description of Material    | Qty     | Date & Time of Opening |
|-------|--------------------|----------------------------|---------|------------------------|
| 01    | 6201P/360/4/0175F1 | Four Jaw Independent Chuck | 02 Nos. | 15.09.14<br>at 2 00 PM |

**KINDLY READ TERMS AND CONDITIONS. OFFER NOT IN ACCORDANCE WITH THE INSTRUCTIONS IS LIABLE TO BE DISQUALIFIED OR IGNORED.**

Please visit [www.bhel.com](http://www.bhel.com) or [www.bhelhwr.co.in](http://www.bhelhwr.co.in) for more details and tender documents.

Unregistered vendors should download Vendor Registration Form and submit same duly filled along with offer.

Thanking You,

Yours Faithfully,  
For & On behalf of CFFP, BHEL, Hardwar

*31th J*  
*23/09/2014*

(Amit Kumar Gupta)  
Sr. Engineer (Purchase)

**Note:** Corrigendum if any shall not be published, kindly refers websites for any changes.



निविदा सूचना  
**TENDER ENQUIRY**

भारत हेवी इलेक्ट्रिकल्स लिमिटेड  
**Bharat Heavy Electricals Ltd**  
सेन्ट्रल फाउन्ड्री फॉर्ज प्लांट- हरिद्वार-249 403 (भारत)  
**Central Foundry Forge Plant, Hardwar-249 403 INDIA**

3156

AA-17001

Phone : (0091) (133) 485356, 485269

• Telefax : (0091) (133) 425892

• Telex : 05909-213

UPTT NO. HR-0041496 Dt. 01-04-1994  
C S T NO. HR-5018287 Dt. 18-03-1995

|                               |                      |             |            |
|-------------------------------|----------------------|-------------|------------|
| निविदा सूचना सं. ENQUIRY NO.* | 6201 P/ 360/4/0175F1 | दिनांक Date | 02-08-2014 |
|-------------------------------|----------------------|-------------|------------|

कृपया निम्नलिखित के लिए निविदा दें। PLEASE QUOTE FOR THE FOLLOWING :

M/S. ::

DUE DATE

25-08-2014

::

15.09.2014  
31/12

:

Vendor Code

09285

INDIA



| SL | MATERIAL CODE<br>ITEM DESCRIPTION   | QUANTITY | UNIT | LOTNO | LOT DELIVERY<br>QTY SCHEDULE |
|----|---|----------|------|-------|------------------------------|
| 1  | FF8251010721<br>DRG: 04-01-129(FOR REF ONLY) REV:<br>FOUR JAW INDEPENDENT CHUCK(DIA<br>=1600MM) FOR TAIL STOCK COMPLE<br>TE WITH JAW & LEAD SCREW FOR<br>CONVENTIONAL CENTRE LATHE<br>MACHINE 10 MT. (INCLUDING ONE<br>EXTRA SET(04NOS) OF HARD JAW &<br>LEAD SCREW. MATERIAL OF CHUCK<br>HEAVY DUTY CAST IRON,WT OF CHU<br>CK-1740 KG,DRG. OF MOUNTING OF<br>CHUCK:04-01-129(FOR REF.ONLY) | 1        | NO   |       |                              |



निविदा सूचना  
**TENDER ENQUIRY**

भारत हैवी इलैक्ट्रिकल्स लिमिटेड  
**Bharat Heavy Electricals Ltd**  
सेन्ट्रल फाउन्ड्री फॉर्ज प्लांट- हरिद्वार-249 403 (भारत)  
**Central Foundry Forge Plant, Hardwar-249 403 INDIA**

3055

Phone : (0091) (133) 485356, 485269

• Telefax : (0091) (133) 425892 • Telex : 05909-213

UPTT NO. HR-0041498 Dt. 01-04-1994  
C S T NO. HR-5018287 Dt. 16-03-1995

|                               |                      |             |            |
|-------------------------------|----------------------|-------------|------------|
| निविदा सूचना सं. ENQUIRY NO.* | 6201 P/ 360/4/0175F1 | दिनांक Date | 02-08-2014 |
|-------------------------------|----------------------|-------------|------------|

कृपया निम्नलिखित के लिए निविदा दें। PLEASE QUOTE FOR THE FOLLOWING :

MATERIAL CODE QUANTITY UNIT LOTNO  
ITEM DESCRIPTION

2 FF8251010730 1 NO  
DRG: 04-01-130 (FOR REF ONLY) REV:  
FOUR JAW INDEPENDENT CHUCK (DAI  
=1810MM) FOR HEAD STOCK COMPLE  
-TE WITH JAW & LEAD SCREW FOR  
CONVENTIONAL CENTRE LATHE 10MT  
(INCLUDING ONE EXTRA SET (4NOS  
OF HARD JAW & LEAD SCREW). MAT  
-ERIAL OF CHUCK HEAVY DUTY CAS  
T IRON, WT.OF CHUCK=2210KG, DR  
G OF MOUNTI-NG OF CHUCK IS 04-  
01-130 (FOR REF ONLY).

\*\* IMPORTANT: This enquiry is 2 part tender. Techno-Commercial bid (Part-1) & Price Bids (Part-2) should be submitted in separate envelopes. These two envelopes should be submitted in a common sealed envelope. Techno-Commercial Bid shall contain detailed Technical Specification, Drawings Technical documents, Catalogues, taxes & duties, payment terms, delivery period, Validity of offer, Replica of Price Bid (Copy of price bid without price part) etc. The confirmation to the special terms & conditions must be submitted alongwith Techno-Commercial bid.

Standard Instructions:  
TEST CERTIFICATE REQUIRED.  
GUARANTEE CERTIFICATE REQUIRED.  
BASIC RATES, TAXES DUTIES SEPERATELY  
CENVATABL DUPLICATE COPY OF INVOICE.  
INSP AFTER RECPT AT CFFP.

Special Instructions:  
GUARANTEE CERTIFICATE IS REQUIRED FOR THE PERIOD OF ONE YEAR.  
LEAD SCREW & JAW SHOULD HARENED.  
MOUNTING OF CHUCK DRAWING OF HAS BEEN GIVEN FOR REFERENCE ONLY BUT FINAL DRAWING TO BE MADE BY VENDOR AFTER GIVEN THE PURCHASE ORDER.  
COMMISSIONING TO BE DONE BY VENDOR AT CFFP/BHEL HARIDWAR. ~~100% PAYMENT WILL BE MADE AFTER SUCCESSFUL COMMISSIONING OF CHUCK ON MACHINE AT BHEL / CFFP, HARIDWAR.~~ 31th 23/8/14  
VENDOR SHOULD PROVIDE PART DRAWING OF LEAD SCREW AND JAW USED IN BOTH CHUCK.  
EARLY DELIVERY IS ALSO ACCEPTABLE.  
VENDOR SHOULD SUPPLY THE MATERIAL AS PER ATTACHED ANNEXURE SPECN.CFFP/M&S/MSM/01 DATED 10.06.2014.  
ULTRASONIC TEST CERTIFICATE OF BOTH CHUCK IS ALSO REQUIRED.  
DELIVERY SCHEDULE IS REQUIRED AS PER POINT NO.5 OF ANNEXURE-II OF COMMERCIAL TERMS.

Page No 2

★ महत्वपूर्ण : कृपया कोटेशन देने से पूर्व पीछे दिए गये अनुदेशों को ध्यानपूर्वक पढ़िये।  
IMPORTANT - PLEASE READ CAREFULLY THE INSTRUCTIONS GIVEN ON REVERSE BEFORE QUOTING



निविदा सूचना  
**TENDER ENQUIRY**

भारत हेवी इलैक्ट्रिकल्स लिमिटेड  
**Bharat Heavy Electricals Ltd**  
सेन्ट्रल फाउन्ड्री फोर्ज प्लांट- हरिद्वार-249 403 (भारत)  
**Central Foundry Forge Plant, Harwar-249 403 INDIA**

54  
2014

AA-17001

Phone : (0091) (133) 485356, 485269

• Telefax : (0091) (133) 425892 • Telex : 05909-213

UPTT NO. HR-0041496 Dt. 01-04-1994  
CST NO. HR-5018287 Dt. 16-03-1995

|                               |                      |             |            |
|-------------------------------|----------------------|-------------|------------|
| निविदा सूचना सं. ENQUIRY NO.* | 6201 P/ 360/4/0175F1 | दिनांक Date | 02-08-2014 |
|-------------------------------|----------------------|-------------|------------|

कृपया निम्नलिखित के लिए निविदा दें | PLEASE QUOTE FOR THE FOLLOWING :

MATERIAL CODE      QUANTITY      UNIT      LOTNO  
ITEM DESCRIPTION

FOLLOWING IS ENCLOSED (A) ANNEXURE-II COMMERCIAL TERMS & CONDITIONS.

- (B) ANNEXURE-I PRE QUALIFICATION CRITERIA.
- (C) ANNEXURE-B GENERAL TERMS & CONDITIONS.
- (D) TERMS AND CONDITIONS INDIAN AGENT OF FOREIGN SUPPLIERS.
- (E) ANNEXURE-D E-PAYMENT FORMAT.
- (F) DRG. 04-01-129 AND 04-01-130 (FOR REF. ONLY).
- (G) *Format of Performance Bank Guarantee*
- (H) *List of BHEL Connected Bank is attached.*

General Instructions:

1. Please submit authorization letter (format enclosed) for facilitating e-payment/electronic transfer of funds
  2. 100% payment within 30 days after receipt & acceptance of material at CFFP BHEL, Harwar through e-payment.
  3. CFFP/BHEL RESERVES THE RIGHT TO PRE-INSPECT THE MATERIAL AT VENDOR'S WORKS / GODOWN/ PREMISES BEFORE DESPATCH.
  4. ORIGINAL MANUFACTURER'S TEST CERTIFICATE IS REQUIRED ALONG WITH DESPATCH DOCUMENTS. IN CASE SUPPLIES ARE FROM TRADERS, IT SHALL BE THE RESPONSIBILITY OF THE TRADER TO PROVIDE ORIGINAL MANUFACTURER'S TEST CERTIFICATE WITH LINKAGE TO TRADER'S INVOICE STATING BATCH NO.
  5. CFFP/BHEL Reserves the right to procure from more than one vendor.
  6. Please quote prices in figures & words both. In case the prices quoted in words and figures are different, the values indicated in words will be considered for evaluation & establishing L1 status.
- \* The offers of the bidders who are on the banned list as also the offers of the bidders, who engage the services of the banned firms, shall be rejected. The list of banned firms is available on web site [www.bhel.com](http://www.bhel.com)

*AMIT*  
*25/08/14*  
**AMIT KUMAR GUPTA**  
**SR. ENGINEER**  
*02/08/2014*

PRE QUALIFICATION CRITERIA FOR CHUCK OF 10M LATHE

This criteria governs the pre-qualification requirement for supply of Chuck. Offer of only those bidders will be considered who shall qualify following each criteria (clause 1 to 5) and submit the documentary proof against each criteria.

| Sl No. | Pre-Qualification Requirements   | Vendor's Response |
|--------|--|-------------------|
| 01     | Vendor should have manufactured and supplied four independent jaw chuck with min dia 1000mm. Vendor should submit documentary evidence of successfully executed orders in last ten years (from the date of tender opening). Also provide performance certificate of executed order of Chuck from any two customers |                   |
| 02     | Commissioning of chuck to be done by vendor at CFFP, BHEL Haridwar.  |                   |
| 03     | The annual average TURN OVER of the vendor should be Rs 50 Lakhs or above for last three years. Party must submit copy of PAN number, Income Tax Return for last three years & Annual report ((balance sheet and profit and loss account) of last three years.   |                   |
| 04     | Vendor should provide the details of service/repair after sales set-up in India.   |                   |
| 05     | BHEL reserves the right to verify the information provided by the vendor. In case the information provided by the vendor is found to be false/ incorrect, the offer will be rejected.  |                   |

**COMMERCIAL TERMS & CONDITIONS**

Tender Enquiry No.: 6201P/360/4/0175F1.

|   | Conditions   | Vendor's Confirmation / Comments. |
|---|--|-----------------------------------|
| 1 | Guarantee Certificate shall be provided for the period of one year by the vendor.  |                                   |
| 2 | Ultrasonic Test Certificate shall be provided along with dispatch documents.   |                                   |
| 3 | Final inspection of material will be done after receipt of material at CFFP. All the charges (like To & Fro freight, insurance etc.) for replacement shall be borne by supplier. Date of receipt of replacement material if accepted shall be considered as actual delivery date with respect to the PO delivery date for calculating penalty for Late Delivery.   |                                   |
| 4 | <p><b>Delivery Term :-</b></p> <p>A. <u>For Indian Suppliers:</u> FOR, Destination (Door delivery basis). Destination will be C.Store, CFFP, BHEL, Haridwar.</p> <p>B. <u>For Foreign suppliers:</u> must essentially be <u>FOB</u> - Sea port of dispatch. Dispatching port &amp; Country to be mentioned essentially in the offer. Sea freight charges and inland freight (in India) &amp; Insurance for import will be arranged by CFFP BHEL Haridwar. Total weight - Gross / Net in Kg of packages, package size / dimensions essentially should be indicated in the offer. Transportation and insurance charges will be calculated on the basis of same to decide L1 offer. In case any additional charges incurred by CFFP BHEL later on due to change/deviation in packages weight / size, actual difference will be to vendor's account.</p> <p>Quoted rate should be inclusive of the charges like freight, service tax on freight, insurance, packing &amp; forwarding etc. <u>for the delivery term</u> given above or else proper loading shall be done.</p> |                                   |
| 5 | <p><b>Delivery Schedule :-</b></p> <p>A. For Indian Suppliers:<br/>In one lot - within 60 days from P.O. date</p> <p>B. For Foreign suppliers:<br/>In one lot F.O.B. delivery—within 30 days from L.C./P.O. date, whichever is later.<br/>L.D. will be applicable as per above mentioned delivery Schedule.<br/>Vendor is requested to quote earliest possible delivery schedule.</p>  |                                   |
| 6 | <p><b><u>Conditions for opening of Price :-</u></b></p> <p>1. BHEL reserves the right to go for Reverse Auction (RA) instead of opening the sealed envelope price bid, submitted by the bidder. This will be decided after techno-commercial evaluation. All bidders to give their acceptance for participation in RA. Non-acceptance to participate in RA may result in non-consideration of their bids, in case BHEL decides to go for RA.</p>   |                                   |

- 2. In case BHEL decides to go for Reverse Auction, Only those bidders who have given their acceptance to participate in RA will be allowed to participate in the Reverse Auction. Those bidders who have given their acceptance to participate in Reverse Auction will have to necessarily submit „online sealed bid“ in the Reverse Auction. Non-submission of „online sealed bid“ by the bidder will be considered as tampering of the tender process and will invite action by BHEL as per extant guidelines in vogue.
- 3. In case BHEL decides to go for Reverse Auction, the H1 bidder (whose quote is highest in online sealed bid) may not be allowed to participate in further RA process.

7 Payment Terms: **For Indian suppliers** –80% payment of Supply value shall be made within 45 days from the date of receipt of material at BHEL. Balance 20% of Supply value plus 100% of the E&C charges (if any) will be paid against E&C certificate issued by BHEL and submission of Performance Bank Guarantee (PBG) valid for 30 days beyond the warranty period by Supplier

In case vendor does not agree, proper loading shall be done

Loading will be @ Base rate of SBI (as applicable on the dated of bid opening, Techno-commercial bid opening in case of two part bids) + 6%, shall be considered for loading for the period of relaxation sought by bidders.

**For foreign suppliers:** 80% payment of supply value shall be paid on dispatch through USANCE LC on 70th day of bill of lading date and balance 20% of supply value plus 100% of the E&C charges (if any) will be paid through trunk transfer against E&C certificate issued by BHEL and submission of Performance Bank Guarantee (PBG) valid for 30 days beyond the warranty period by Supplier.

All bank charges shall be to vendor's account. In case vendor does not agree, proper loading shall be done. Loading will be @ Base rate of SBI (as applicable on the dated of bid opening, Techno-commercial bid opening in case of two part bids) + 6%, shall be considered for loading for the period of relaxation sought by bidders.

**PBG-:** PBG is required from any of the Consortium Banks of BHEL for 10% of total PO Value in the prescribed Format. The PBG confirmation charges shall be borne by vendor.

- \* Format and list of consortium bank is attached.
- \* In case vendor does not agree, proper loading shall be done.

- 8 Validity of offers : minimum 90 days from tender opening date
- 9 Evaluation of price bids will be done on the basis of total delivered cost at CFFP i.e. Landed cost net of Cenvat at CFFP.
- 10 BHEL may place order for part quantity. Quoted rate not to be linked with order quantity.
- 11 Rates shall be Firm till execution of purchase order.

|    |  |  |
|----|--|--|
| 12 | Material will be supplied as per delivery schedule required in tender enquiry / PO (FOR destination basis). Any request for extension in delivery schedule of Purchase Order / waiver of LD is liable to be ignored.   |  |
| 13 | <p>Normal clauses for imposing Penalty, Liquidated Damages for Late Delivery, Risk purchases, Cancellation, Arbitration in case of delay in effecting supply and or other defaults as per following conditions will be applicable:</p> <p>a. Penalty for Late Delivery: The delivery of the goods shall be made strictly as per time limit specified in delivery schedule, failure to supply within this period will make the seller liable to a penalty of 1/2 (half) percent of the price of the goods in arrears per week subject to a maximum of 10% on the basic rate (total PO value). Any correspondence regarding waiver of LD shall not be entertained. In case supplier does not agree for LD clause, BHEL will load maximum penalty under LD clause, to the extent the same is not agreed by the vendor, for the purpose of comparative statement. Where deliveries quoted are not suiting, BHEL may ignore the offer.</p> <p>b. Risk Purchase: In case of delays in supplies / defective supplies or non-fulfilment of any other terms and conditions given in the Purchase Order by the seller, the Buyer reserves the right to cancel the purchase order in full or part thereof, and may also make the purchase of such material from alternative source <u>at the risk and cost of the seller.</u></p> |  |
| 14 | For new vendors who are not registered with CFFP BHEL Haridwar, duly filled up "Supplier Registration Form" (available at www.bhel.com) along-with all the supporting documents has to be submitted along-with techno-commercial bid of offer. Please confirm that SRF is being submitted with your offer if applicable. However please note that if in any case duly filled up SRF along-with all the supporting documents is not received within 15 days of tender opening, your offer may liable to be ignored.   |  |
| 15 | BHEL will prefer to deal directly with foreign vendor/ original manufacturer. In case, vendor engages any Indian agent or take service of any Indian agent, copy of agent agreement required along with offer in line with Annexure-IV attached.   |  |
| 16 | In the event of any dispute arising out of contractual obligation, the order being finalized at Haridwar, India will be subject to Indian Laws and falls under jurisdiction of the court of Law at Haridwar, India.  |  |
| 17 | <p>Indian Vendors shall quote their price only in INR. Foreign vendors shall quote their price only in USD, EURO, UK POUND STERLING and JAPANESE YEN.</p> <p>For evaluation of price bids, exchange rate (TT selling rate of SBI) as on scheduled date of tender opening (Part-1 bid in case of two part bid) shall be considered.</p>   |  |
| 18 | Vendor shall quote price both in words & figures. If there is any difference between price quoted in words & figures, price quoted in words shall prevail and binding.   |  |

|    |  |  |
|----|--|--|
| 19 | Please provide contact person name, telephone nos. , fax no. & email id.   |  |
| 20 | <p>A. In case of any difference in conditions quoted above &amp; elsewhere in the offer, terms quoted above shall be treated as final and binding on vendor.</p> <p>B. Evaluation shall be on the basis of delivered cost (i.e.) "total cost to BHEL".</p> <p>C. Non acceptance of any of the above conditions may result in rejection of your offer.</p> <p>D. Terms &amp; Conditions not specified above will be as per Annexure-B No GTCRM NO. 01 Rev.05 Date: 25.10.12 enclosed.</p> <p>E. In case of blank / no comments in provided remark column, it shall be deemed to have been accepted by vendor.</p> |  |

Date:

Signature with Name of authorized signatory)

Seal of the Company

GENERAL TERMS AND CONDITIONS OF TENDER ENQUIRY  
ANNEXURE-B

01 Submit the tender in two parts i.e.

**Part-I Techno-Commercial Bid**

**Part-II Price Bid**

Techno- Commercial (part one) Price Bid (part two) should be put in separate sealed envelopes. Both envelopes should be super scribed with **Tender Number, Date of opening & Techno-Commercial Bid and Price Bid** respectively along with name of firm. Both the envelopes i.e. containing Techno-Commercial Bid and Price Bid should again be kept in one envelope super scribed again with Tender No. and Date of opening and the name of firm submitting the tender and send it to **AGM (MM), Purchase Department, CFFP/BHEL, Hardwar, Ranipur, Hardwar 249403, Uttarakhand, India before due date / tender opening date & time.** Normally tender opening time is 2.00 PM on due date or as mentioned in enquiry.

**Responsibility for submission of tender in time solely lies with vendor. Late offers received after specified time / Date shall not be considered.**

1. Part-I Envelopes super scribed with **Techno-Commercial Bid** must contain all information especially-
  - (a) Specification of the material offered should be strictly as per CFFP/BHEL specifications of enquired material in tender documents **Deviations if any must be indicated clearly in the offer. Rates to be quoted on For Destination Basis.**
  - (b) All commercial terms i.e. packing, forwarding Custom duty, Additional Duty, ST/STT/VAT/CST, Excise Duty/CVD, Bank charges, payment terms & insurance etc as applicable (**except price**) should be clearly mentioned in Techno-Commercial bid. Also mention present rate of applicable taxes & duties even if inclusive in rates along with the concessional forms required if any.
  - (c) Confirm to submit all required commercial documents (tax invoice centvatable duplicate copy of invoice, packing list, transit sale agreement etc.) & technical documents (TC/GC/QP etc).
  - (d) Registration Numbers of SSI, Central Excise, Sales tax, Income Tax, DGS & DECC etc.
  - (e) **Un-priced copy of Price Bid.**

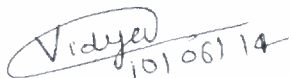
Part-II Envelopes super scribed with Price Bid should contain priced copy of Price Bid. The price should be mentioned both in figures and words.


2. Authorized Signatory should authenticate all tender documents.
3. **Techno-commercial bid (Part-I)** will be opened on the due date at 2.00 PM in the presence of participating vendors or authorized representatives, who may wish to be present. Representative deputed to witness tender opening must produce an authority letter from the signatory of offer. After evaluation of technical bids & finalization of technical, commercial terms & conditions, price bid of only successful vendors will be opened. Priced bid opening date shall be intimated separately.
4. The material offered must conform to the required BHEL specifications and drawings as well as instructions and details made available.
5. For new vendors, Vendor Registration from duly filled must be submitted along with the offer which can be downloaded from our web site [www.bhel.com](http://www.bhel.com) or [www.bhelhrw.com](http://www.bhelhrw.com).
6. Original manufacturer's Test Certificate is required along with dispatch documents. In case supplies are from traders, it shall be the responsibility of the trader to provide original manufacture's test certificate with linkage to traders invoice stating batch no.
7. **Validity** of offers should be minimum 90 working days from the date of tender (Techno-Commercial Bid) opening.

- (47)
8. **Delivery** in the promised period is the essence of contract. Confirm to supply according to delivery schedule mentioned.
9. **Payment terms:**  
For indigenous suppliers: 100% within 30 days after receipt & acceptance of material at CFFP / BHEL, Haridwar through e-payment.  
For foreign suppliers: Payment through USANCE LC on 70<sup>th</sup> day of bill of lading date. All bank charges shall be to vendor's account.
10. \* In case vendor does not agree, proper loading shall be done. Also in that case, third party inspection shall have to be arranged by supplier from any of the five inspection agencies namely, LRS/ BVQI/ DNV/ TUV/ Alfred H Knight at their cost.  
CFFP/BHEL, Haridwar reserves the right to accept or reject any or all tenders without assigning any reason thereof.
11. Tenders not submitted in the prescribed manner are likely to be ignored / rejected.
12. **Agent/Agency Commissioning:** Payment of any kind at any stage will not be made to agent on account of agent commission or otherwise by CFFP/BHEL, Haridwar.
13. CFFP/BHEL, Haridwar may opt for E-auction/Reverse auction for obtaining best prices for part or full tendered quantity. BHEL also reserve the right to negotiate price with L1 vendor after reverse auction.
14. Please do intimate the personal contact details like Name, Mobile Number, Email id etc of authorized executive for correspondence.
15. **Penalty:** Orders placed against this enquiry will be subject to normal clauses for imposing penalty. Liquidated Damages, Risk purchases, cancellation, arbitration as per terms and conditions of Tender Enquiry and Purchase orders in case of delay in effecting supply and/ or other defaults.  
**Liquidated damage:** The delivery of the goods shall be made strictly as per time limit specified in delivery schedule. failure to supply within this period will make the supplier liable to an conditional penalty of 1/2 (half) percent of the price of the goods in arrears per week subject to a maximum of 10%.
16. **Inspection:** Final inspection of material shall be done after receipt of material at CFFP/BHEL, Haridwar. Acceptance of material shall be after final inspection and shall be binding. However, CFFP reserves the right to pre inspect the material at supplier works. In case material is found defective during warranty period, the same will be returned for repair and/ or replacement. For this vendor has to bear all the charges such as Freight, to and fro insurance etc. Bank Guarantee for the equal amount to the cost of the item is to be furnished by vendor. In case the repair is done at CFFP/BHEL the amount on actual shall have to be reimbursed by the Vendor and or adjusted on actual from their bill.
17. **Currency of Payment:** Mention the currency in which payment has to be made. For evaluation of price bids, exchange rate (TT selling rate of SBI) as on scheduled date of tender opening (Part-1 bid in case of two part bid) shall be considered.
18. Traders should submit authorization letter from their principal alongwith offer.
19. **Disputes:** In event of any dispute arising out of contractual obligation, the order being finalized at Haridwar, India will be subject to Indian Laws and falls under jurisdiction of the court of Law at Haridwar, India. The overseas supplier hereafter referred to as "Vendor" shall therefore abide by the verdict of Court of Law at Haridwar, India.  
OR  
All disputes arising out of or in connection with the present contract, if any shall be finally settled under the rules of arbitration of International chamber of commerce by one or more arbitrator appointed in accordance with the said Rules in India.
20. BHEL reserves the right to place P.O. for part / full qty and on one or more than one sources.
21. Any Term & condition of the specific tender (if specified in tender & contradicts with above term) will supersede the above general terms & conditions.

**SCOPE: SUPPLY & COMMISSIONING OF FOUR JAW INDEPENDENT CHUCK AS PER BELOW SPECIFICATIONS:**

|          | BHEL Requirements  | Vendor Remarks |
|----------|--|----------------|
| <b>1</b> | <b>Technical Specifications:</b>   |                |
| 1.1      | Chuck material should be suitable Grade of heavy duty cast iron having hardness between 180 HB to 220HB or forge or turned from suitable medium carbon steel having minimum tensile strength of 600 MPa.                                     |                |
| 1.2      | Chuck should be free from Pinning/ Blow hole, crack flaws, rusts and other defects and shall be well finished.   |                |
| 1.3      | Ultrasonic Test Certificate is required for both Chuck.  |                |
| 1.4      | Jaw Should be Suitable Steel of Tensile Strength not less than 400 MPa & Gripping Portion Hardness Between 55 To 60 HRC.   |                |
| 1.5      | Gripping of Jaw Should be Tested by Dial Indicator & Permissible error 0.04 mm Filler Guage Shall not Pass through. ( Test Certificate Required)   |                |
| 1.6      | Lead Screw Should be Suitable Carbon Steel of Tensile not less than 600 MPa hardened to a hardness between 30 To 40 HRC.   |                |
| 1.7      | Mounting of Chuck Drawing has been given for reference only but Final drawing to be made by vendor after getting the Purchase order.   |                |
| 1.8      | Bore and holes of both chucks should be properly matched with the spindle & mounting holes of Head Stock and Tail stock of the machine respectively.   |                |
| 1.9      | Vendor should provide part drawing of Lead Screw and jaw used in both chuck.   |                |
| <b>2</b> | <b>Installation of Chuck</b>   |                |
| 2.1      | Installation & commissioning of chuck is to be done by vendor at CFFP BHEL Haridwar.   |                |
| <b>3</b> | <b>Guarantee :</b>   |                |
| 3.1      | The supplier shall provide full and complete guarantee for trouble free performance for at least two year from the date of commissioning. If any manufacturing defect is noticed during guarantee period, it will be rectified free of cost. |                |

  
Vidya Sagar  
Sr. Engineer  
(M&S)

  
P K Yadav  
Sr. Engineer  
(M&S)

  
R K Singh  
Sr. Manager  
(RMS Production)

  
Narendra Kumar  
Sr. Manager  
(M&S)

**Terms and conditions regarding Indian agent of foreign suppliers:**

- 01. BHEL shall deal directly with foreign vendors, wherever required, for procurement of goods. However, if the foreign principal desires to avail of the services of an Indian agent, then the foreign principal should ensure compliance to regulatory guidelines which require mandatory submission of an Agency agreement.
- 02. It shall be incumbent on the Indian agent and the foreign principal to adhere to the relevant guidelines of Government of India, issued from time to time.
- 03. The agency agreement should specify the precise relationship between the foreign OEM/Foreign principal and their Indian agent and their mutual interest in the business. All services to be rendered by agent/associate, whether of general nature or in relation to the particular contract, must be clearly stated by the foreign supplier / Indian agent. An payment, which the agent or associate receives in India or aboard from the OEM, whether a commission or as a general retainer fee should be brought on record in the agreement and be made explicit in order to ensure compliance to laws of the country.
- 04. Any agency commission to be paid by BHEL to the Indian agent shall be in Indian currency only.
- 05. Tax deduction at source is applicable to the agency commission paid to the Indian agent as per the prevailing rules.
- 06. In the absence of any agency agreement, BHEL shall not deal with any Indian agent (authorized representatives/ associate/consultant, or by whatever name called) and shall deal directly with the foreign principal only for all correspondence and business purposes.
- 07. The "Guidelines for Indian Agents of Foreign Suppliers" enclosed at annexure 'A' shall apply in all such cases.
- 08. The supply and execution of the Purchase Order (including indigenous suppliers/service) shall be in the scope of the OEM/ Foreign principal. The OEM/ Foreign principal should submit their offer inclusive of all indigenous suppliers/services and evaluation will be based on 'total cost to BHEL'. In case OEM/ foreign principal recommends placement of order(s) towards indigenous portion of supplies/services on Indian Supplier (s)/ agent on their behalf, the credentials/capacity/capability of the Indian Supplier (s)/ agent to make the supplies/Services shall be checked by BHEL as per the extant guidelines of Supplier Evaluation, Approval and Review Procedure (SEARP), before opening of price bids. In this regards, details may be checked as per Annexure- 'B' (copy enclosed). It will be the responsibility of the OEM/ Foreign Principal to get acquainted with the evaluation requirements of Indian supplier/agent as per SEARP available on [www.bhel.com](http://www.bhel.com).

The responsibility for successful execution of the contract (including indigenous supplies/services) lies with the OEM/ foreign principal. All bank guarantees to this effect shall be in the scope of the OEM/Foreign principal.

## Guidelines for Indian Agents of Foreign Suppliers

- 1.0 There shall be compulsory registration of agents for all Global (Open) Tender and Limited Tender. An agent who is not registered with BHEL shall apply for registration in the registration form in line with SEARP.
- 1.1 Registered agents will file an authenticated Photostat copy duly attested by a Notary Public/Original certificate of the Principal confirming the agency agreement and giving the status being enjoyed by the agent and the commission/ remuneration/ salary/ retainership being paid by the principal to the agent before the placement of order by BHEL.
- 1.2 Wherever the Indian representatives have communicated on behalf of their principals and the foreign parties have stated that they are not paying any commission to the Indian agents and the Indian representative is working on the basis of salary or as retainer, a written declaration to this effect should be submitted by the party (i.e. Principal) before finalizing the order.
- 2.0 **Disclosure of particulars of agents/ representatives in India, if any.**
- 2.1 Tenderers of Foreign Nationality shall furnish the following details in their offers:
- 2.1.1 The Bidder(s)/ Contractor(s) of foreign origin shall disclose the name and address of the agents/ representatives in India if any and the extent of authorization and authority given to commit the Principals. In case the agent/ representative be a foreign Company, it shall be confirmed whether it is existing Company and details of the same shall be furnished.
- 2.1.2 The amount of commission/ remuneration included in the quoted price(s) for such agents/ representatives in India.
- 2.1.3 Confirmation of the Tenderer that the commission/ remuneration, if any, payable to his agents/ representatives in India, may be paid by BHEL in Indian Rupees only.
- 2.2 Tenderers of Indian Nationality shall furnish the following details in their offers:
- 2.2.1 The Bidder(s)/ Contractor(s) of Indian Nationality shall furnish the name and address of the foreign principals, if any, indicating their nationality as well as their status, i.e. whether manufacturer or agents of manufacturer holding the Letter of Authority of the Principal specifically authorizing the agent to make an offer in India in response to tender either directly or through the agents/ representatives.
- 2.2.2 The amount of commission/ remuneration included in the price (s) quoted by the Tenderer for himself.
- 2.2.3 Confirmation of the foreign principals of the Tenderer that the commission/ remuneration, if any, reserved for the Tenderer in the quoted price(s), may be paid by BHEL in India in equivalent Indian Rupees on satisfactory completion of the Project or supplies of Stores and Spares in case of operation items.
- 2.3 In either case, in the event of contract materializing, the terms of payment will provide for payment of the commission/ remuneration, if any payable to the agents/ representative in India in Indian Rupees on expiry of 90 days after the discharge of the obligations under the contract.
- 2.4 Failure to furnish correct and detailed information as called for in paragraph 2.0 above will render the concerned tender liable to rejection or in the event of a contract materializing, the same liable to termination by BHEL. Besides this there would be a penalty of banning business dealings with BHEL or damage or payment of a named sum.

---X---

This format is applicable only to Indian Suppliers/ Agents supplying indigenous portion of Foreign Purchases

\* In all other cases, extant guidelines of SEARP 2010 are to be followed

| SEARP (SRF) Clause No | Detail   |
|-----------------------|--|
|                       | <b>Name &amp; address of the firm</b>  |
| 1.0                   | Products/ Systems / Services being considered for  |
| 2.0                   | <b>General Information</b>   |
| 2.2                   | Name of Chief Executive  |
| 2.3                   | Details of authorized signatory  |
| 3.0                   | <b>Ownership Information</b>   |
| 3.1                   | Type of firm   |
| 3.2                   | Nature of Business <ul style="list-style-type: none"> <li>• Attach <b>authorization letter</b> and <b>agency agreement</b> from Principal ( from whom capital equipment is procured)</li> <li>• Attach copy of declaration from Foreign Principal for <b>total guarantee/ warranty of indigenous supplies</b></li> </ul> |
| 3.3                   | Year of establishment  |
| 3.4                   | Year of commencement of business   |
| 4.0                   | <b>Registration particulars</b>  |
| 4.1                   | Permanent Account No   |
| 4.2 / 4.3             | Sales Tax / TIN no   |
| 4.6                   | Service tax no. (in case of E&C)   |
| 5.0                   | <b>Organisational strength</b>   |
| 6.0                   | <b>Other particulars</b>   |
| 6.1                   | If the company is already registered with other units  |
| 6.2                   | Directors/ Partners, if related to any BHEL Employee   |
| 6.9                   | If any Ex BHEL Personnel employed by the Company   |
| 6.12                  | Details of pending legal issues with BHEL  |
| 6.13                  | Bank Account information   |
| 9.0                   | <b>Financial information</b>   |
| 9.6                   | Sales/ Turnover details of last 3 years (or from the date of incorporation whichever is less )   |

---x---

42

12

AUTHORISATION LETTER  
FOR E-PAYMENT/ELECTRONIC FUNDS TRANSFER (EFT/RTGS)  
PLEASE FILL UP THE FORM IN CAPITAL LETTERS ONLY

TYPE OF REQUEST (Tick One)  CREATE  CHANGE

BHEL Vendor/Supplier Code \_\_\_\_\_  
Company's Name \_\_\_\_\_  
Address \_\_\_\_\_  
City \_\_\_\_\_  
Pincode \_\_\_\_\_  
State \_\_\_\_\_

Contact Person's \_\_\_\_\_  
Telephone No. \_\_\_\_\_  
FAX No. \_\_\_\_\_  
e-mail/id \_\_\_\_\_

1. Bank Name \_\_\_\_\_  
2. Bank Address \_\_\_\_\_  
3. Bank Telephone No. \_\_\_\_\_  
4. Bank Account No. \_\_\_\_\_  
5. Amount Type \_\_\_\_\_  
6. Bank's Branch Code \_\_\_\_\_  
7. Bank Swift Code \_\_\_\_\_  
(Applicable to EFT only)  
8. Enclose blank cancelled cheque

DECLARATION

- I as representative/Owner of the above named company hereby authorize BHEL CFFP, Ranipur, Haridwar to electronically make payments to the designated bank account. I hereby certify that the particulars given above are true, complete and correct.
- If the transaction is delayed or not effected at all for reasons of incomplete or incorrect information, I would not hold BHEL/transferring Bank responsible.
- This authority remains in full force until BHEL CFFP, Ranipur, Haridwar receives & acknowledge written notification requesting a change or cancellation.
- I have read the contents of the covering letter and agree to discharge the responsibility expected of me as a participant under E-payment/EFT/RTGS.

Date \_\_\_\_\_  
Authorized Signatory \_\_\_\_\_  
Designation \_\_\_\_\_  
Company Seal \_\_\_\_\_

Verification By Bank



ANNEXURE-II

WAM-28

### Proforma for Bank Guarantee

In consideration of the Bharat Heavy Electrical Limited Siri fort N. Delhi through Division CFFP Hardwar (hereinafter called the Company') having agreed to exempt----- (hereinafter called 'the said Contractor' which term includes 'Suppliers' for the purpose of this Bond) from the demand under the terms and conditions of an Agreement no / PO no ----- date. ----- made between -----and ----- for (hereinafter called 'the said Agreement') of Security Deposit for the due fulfillment by the said Contractor of the terms and conditions contained in the said Agreement, on production of a Bank Guarantee for Rs. ----- (Rupees-----only).

1. We, \_\_\_\_\_ (Indicate the name of the Bank) \_\_\_\_\_ (hereinafter referred to as 'the Bank') at the request \_\_\_\_\_ (Contractor (s) do hereby undertake to pay to the Company an amount not exceeding Rs. \_\_\_\_\_ against any loss or damage caused to or suffered or would be caused to or suffered by the Company by reason of any breach by the said Contractor (s) of any of the terms and conditions contained in the said Agreement.
2. We, \_\_\_\_\_ (indicate the name of the Bank) \_\_\_\_\_ do hereby undertake to pay the amounts due and payable under this guarantee without any demur, merely on a demand from the Company stating that the amount claimed is due by way of loss or damage caused to or would be caused to or suffered by the Company by reason of breach by the said Contractor(s), of any of the terms of conditions contained in the said Agreement or by reason of the contractor(s), failure to perform the said Agreement. Any such demand made on the Bank shall be conclusive as regards the amount due and payable by the Bank under this guarantee. However, our liability under this guarantee shall be restricted to an amount not exceeding Rs. \_\_\_\_\_.
3. We undertake to pay to the Company any money so demanded notwithstanding any dispute or disputes raised by the Contractor(s) in any suit or proceeding pending before any court or Tribunal relating thereto our liability under this present being absolute and unequivocal.

The payment so made by us under this bond shall be a valid discharge of our liability for payment there under and the Contractor(s) shall have no claim against us for making such payment.

4. We, \_\_\_\_\_ (indicate the name of the Bank) \_\_\_\_\_ further agree that the Guarantee herein contained shall remain in full force and effect during the period that would be taken for the performance of the said Agreement and that it shall

continue to be enforceable till all the dues of the Company under or by virtue of the said Agreement have been fully paid and its claims satisfied or discharged or till \_\_\_\_\_ Office / Department / Division of Bharat Heavy Electrical Limited certifies that the terms and conditions of the said Agreement have been fully and properly carried out by the said contractor(s) and accordingly discharged this guarantee. Unless a demand or claim under this guarantee is made on us in writing on or before the \_\_\_\_\_ we shall be discharged from all the liability under this guarantee thereafter.

- 5. We, \_\_\_\_\_ (indicate the name of the Bank) \_\_\_\_\_ further agree with the Company that the Company shall have the fullest liberty without our consent and without affecting in any manner our obligations hereunder to vary any of the terms and conditions of the said Agreement or to extend time of performance by the said contractor(s) from time to time or to postpone for any time or from time to time any of the power exercisable by the company against the said contractor(s) and to forbear or enforce any of the terms and conditions relating to the said Agreement and we shall not be relieved from our liability by any reason of any such variation or extension being granted to the said contractor(s) or for any forbearance, act or omission on the part of the company or any indulgence by the company to the said contractor(s) or by any such matter or thing whatsoever which under the law relating to sureties would but for this provision have effect of so relieving us.
- 6. This guarantee will not be discharged due to the change in the constitution of the Bank or the contractor(s).
- 7. We, \_\_\_\_\_ (indicate the name of the bank) \_\_\_\_\_ lastly undertake not to revoke this guarantee during its currency except with the previous consent of the Company in writing.

Dated the \_\_\_\_\_ day of \_\_\_\_\_

For \_\_\_\_\_ (indicate the name of the bank) \_\_\_\_\_

| <b>LIST OF BHEL CONSORTIUM BANK</b> |                           |
|-------------------------------------|---------------------------|
| 1                                   | State Bank of India       |
| 2                                   | Canara Bank               |
| 3                                   | Bank of Baroda            |
| 4                                   | Punjab National Bank      |
| 5                                   | State Bank of Hyderabad   |
| 6                                   | State Bank of Travancore  |
| 7                                   | Corporation bank          |
| 8                                   | Syndicate Bank            |
| 9                                   | Indian Bank               |
| 10                                  | Oriental Bank of Commerce |
| 11                                  | UCO bank                  |
| 12                                  | Central bank of India     |
| 13                                  | IDBI Ltd.                 |
| 14                                  | HDFC Bank Ltd.            |
| 15                                  | ICICI Bank Ltd.           |
| 16                                  | Kotak Mahindra Bank Ltd   |
| 17                                  | The Federal bank Limited  |
| 18                                  | Abn-Amro Bank             |
| 19                                  | Citi Bank                 |
| 20                                  | HSBC                      |
| 21                                  | Deutsche Bank             |
| 22                                  | Standard Chartered Bank   |
| 23                                  | United bank of India      |
| 24                                  | Vijaya Bank               |
| 25                                  | Union Bank of India       |
| 26                                  | Bank of India             |
| 27                                  | Andhra Bank               |
| 28                                  | Punjab & Sind Bank        |
| 29                                  | Axis Bank                 |

38

COPYRIGHT AND CONFIDENTIAL

THE INFORMATION ON THIS DOCUMENT IS THE PROPERTY OF BHARAT HEAVY ELECTRICALS LIMITED. IT MUST NOT BE USED DIRECTLY OR INDIRECTLY IN ANY WAY DETERIMENTAL TO THE INTEREST OF THE COMPANY.

621-10-40

DRAWING NO.

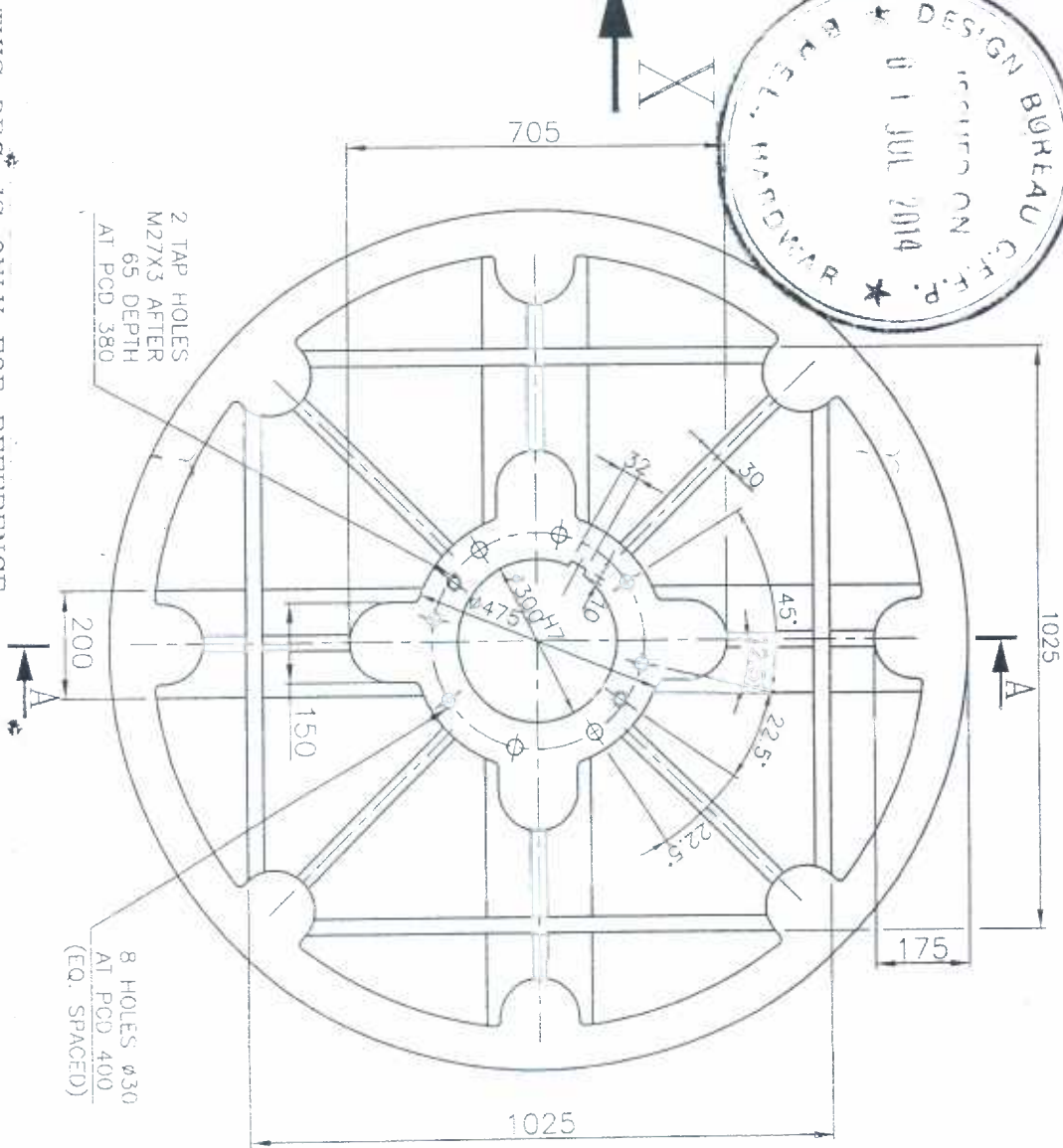
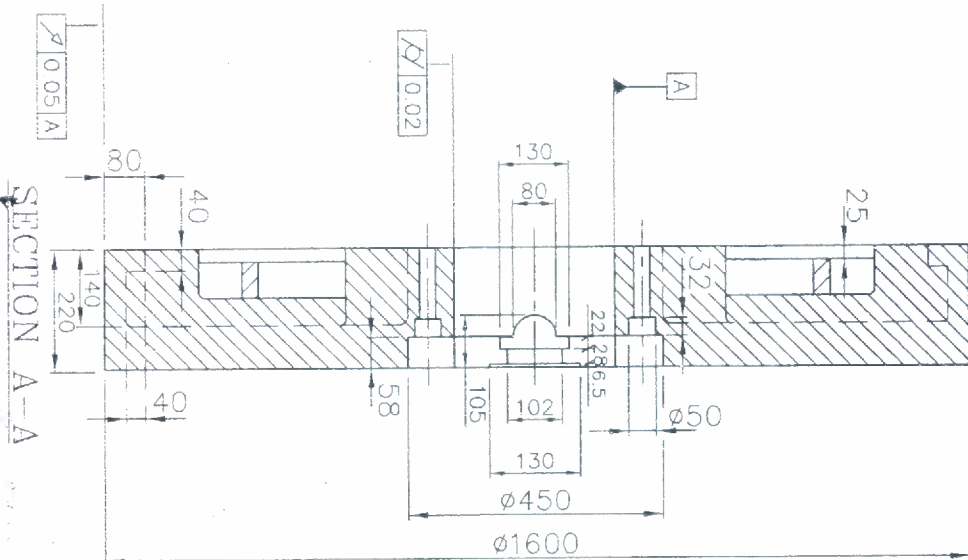
FIRST ANGLE PROJECTION

(ALL DIMENSIONS ARE IN mm)

FORM DC 38(B)

|               |             |                  |
|---------------|-------------|------------------|
| Inventory No. | Sign & Date | Ref. Drawing No. |
|---------------|-------------|------------------|

- NOTE:-
1. CHUCK TO BE FREE FROM PINNING/BLOW HOLES.
  2. ULTRASONIC TEST SHOULD BE DONE FOR CHUCK.
  3. JAW SHOULD BE SUITABLE STEEL OF TENSILE STRENGTH NOT LESS THEN 400 MPa & GRIPPING PORTION HARDNESS BETWEEN 55 TO 60 HRC.
  4. GRIPPING OF JAW SHOULD BE TESTED BY DIA INDICATOR & PERMISSIBLE ERROR 0.04mm FULLER GAUGE SHALL NOT PASS THOUGH.
  5. LEAD SCREW TO BE SUITABLE CARBON STEEL OF TENSILE STRENGTH NOT LESS THEN 600 MPa & HARDNESS BETWEEN 50 TO 40 HRC.



THIS DRG. IS ONLY FOR REFERENCE.

MATERIAL: FOR BODY  
HEAVY DUTY C.I.  
WITH HARDNESS  
180-220 HB



BHARAT HEAVY ELECTRICALS LTD.  
UNIT: CENTRAL FOUNDRY FORGE PLANT  
RANIPUR, HARDWAR

|      |         |        |
|------|---------|--------|
| PART | ALTERED | DESIGN |
|      |         |        |

|      |      |
|------|------|
| DEPT | CODE |
|      |      |

|       |
|-------|
| SCALE |
|       |

|             |
|-------------|
| WEIGHT (KG) |
|             |

|      |              |     |      |    |        |
|------|--------------|-----|------|----|--------|
| APPD | REF. TO ASSY | DRG | ITEM | NO | NO. OF |
|      |              |     |      |    |        |

|                  |
|------------------|
| TITLE            |
| TAIL STOCK CHUCK |
| FOR 10M LATHE    |
| (M/C SHOP)       |

|      |
|------|
| CARD |
| CODE |
|      |

|            |
|------------|
| DRAWING NO |
| 04-01-129  |
|            |

|           |   |               |   |
|-----------|---|---------------|---|
| SHEET NO. | 1 | NO. OF SHEETS | 2 |
|-----------|---|---------------|---|

|         |          |
|---------|----------|
| NAME    | DATE     |
| K. LAL  | 23.04.14 |
| PRAVERN | 23.04.14 |

|        |        |
|--------|--------|
| NO. OF | NO. OF |
| VAR    | ITEMS  |
|        |        |

37

COPYRIGHT AND CONFIDENTIAL

THE INFORMATION ON THIS DOCUMENT IS THE PROPERTY OF BHARAT HEAVY ELECTRICALS LIMITED. IT MUST NOT BE USED DIRECTLY OR INDIRECTLY IN ANY WAY DETERIMENTAL TO THE INTEREST OF THE COMPANY.

|              |             |                 |
|--------------|-------------|-----------------|
| Inventory No | Sign & Date | Ref. Drawing No |
|--------------|-------------|-----------------|

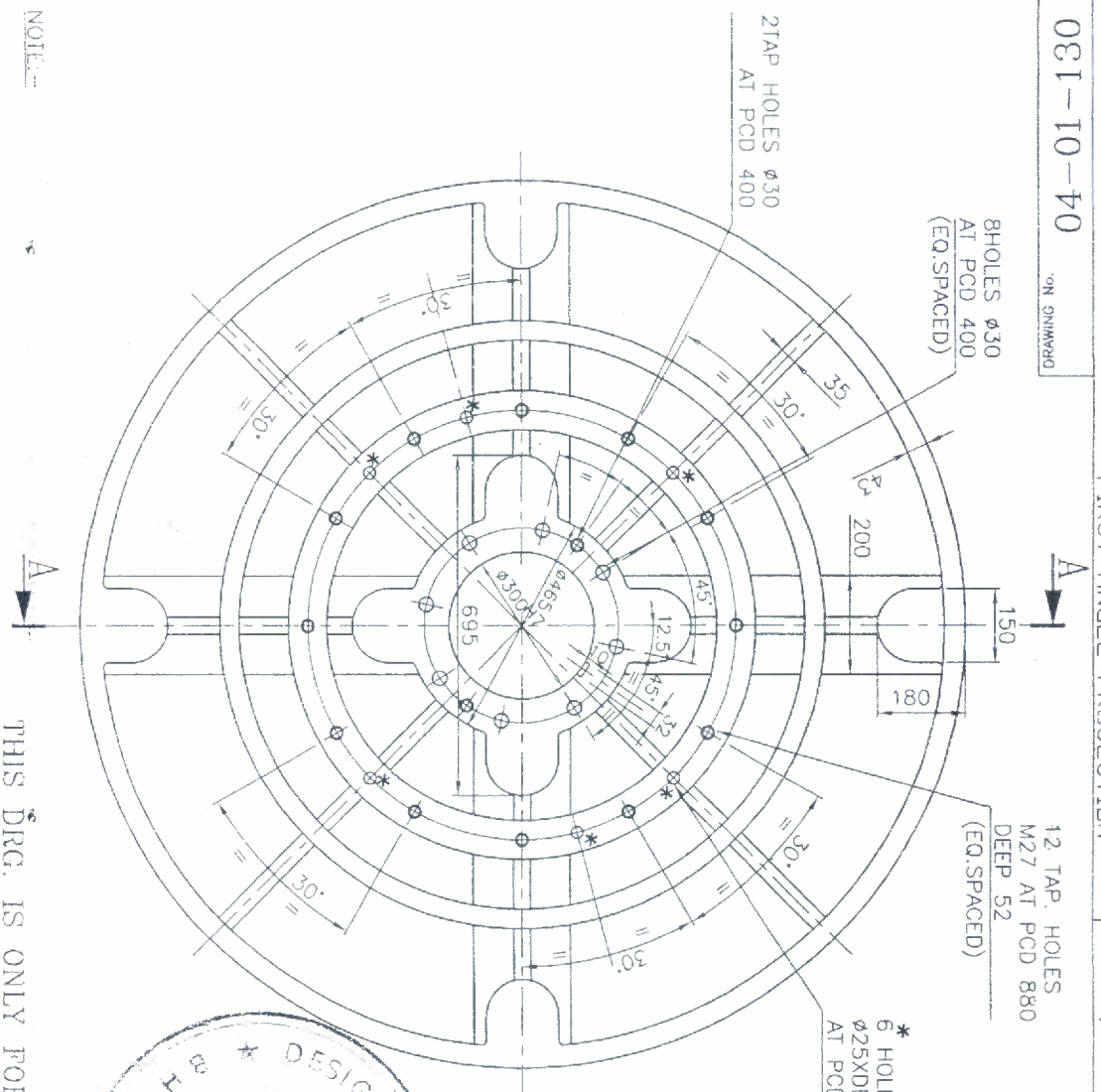
OCI-10-70

ON DRAWING

FIRST ANGLE PROJECTION

( ALL DIMENSIONS ARE IN mm )

FORM UC 38(B)



THIS DRG. IS ONLY FOR REFERENCE.

0.05/A

SECTION A-A



0.10/A

0.1/A

0.1/A

0.1/A

0.1/A

0.1/A

0.1/A

0.1/A

0.1/A

0.1/A

- NOTE:-
1. CHUCK TO BE FREE FROM PINNING/BLOW HOLES.
  2. ULTRASONIC TEST SHOULD BE DONE FOR CHUCK.
  3. JAW SHOULD BE SUITABLE STEEL OF TENSILE STRENGTH NOT LESS THEN 400 MPa & GRIPPING PORTION HARDNESS BETWEEN 55 TO 60 HRC
  4. GRIPPING OF JAW SHOULD BE TESTED BY DIAL INDICATOR & PERMISSIBLE ERROR 0.04mm. FILER GAUGE SHALL NOT PASS THOUGH.
  5. LEAD SCREW TO BE SUITABLE CARBON STEEL OF TENSILE STRENGTH NOT LESS THEN 600 MPa & HARDNESS BETWEEN 30 TO 40 HRC

|   |          |   |                       |                |                |
|---|----------|---|-----------------------|----------------|----------------|
| MATERIAL: FOR BODY HEAVY DUTY C.I. WITH HARDNESS 180-220 HB |          | BPHARAT HEAVY ELECTRICALS LTD. UNPT. CENTRAL POWDERY FORCE PLANT RANIPUR, HARDWAR |                       | DATE: 25.04.14 |                |
| DATE  | APPROVED | DEPT  | SCALE                 | WEIGHT (KG)    | NAME           |
| CHECKED   |          | CODE  |                       |                | K. LAL         |
|   |          |   |                       |                | PRAVEN         |
|   |          |   |                       |                | DATE: 25.04.14 |
|   |          |   |                       |                | NO. OF VARS    |
|   |          |   |                       |                | 73 74          |
|   |          |   |                       |                | NO. OF ITEMS   |
|   |          |   |                       |                | 75 77          |
| TITLE: HEAD STOCK CHUCK FOR 10M LATHE (M/C SHOP)            |          | CARD CODE   | DRAWING NO. 04-01-130 |                |                |
|   |          |   | SHEET NO. 1           |                |                |
|   |          |   | No. OF SHEETS 2       |                |                |