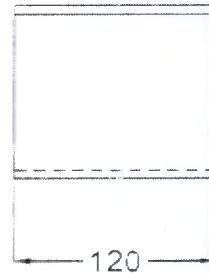
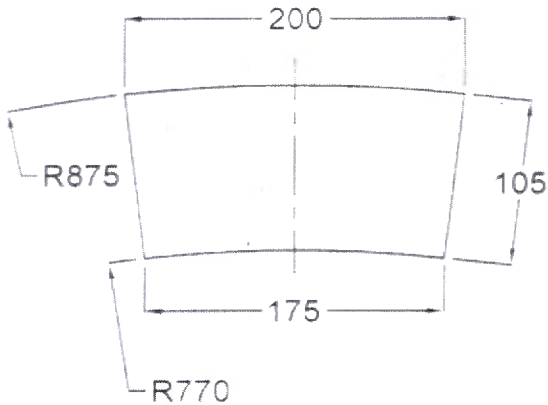
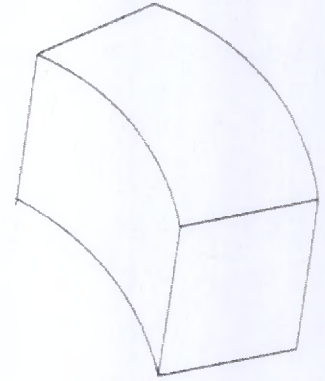
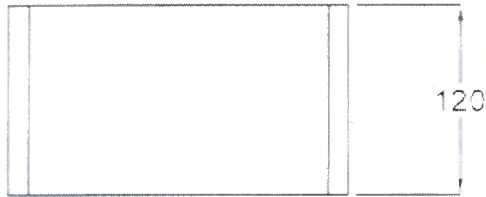


FIRST ANGLE PROJECTION

(ALL DIMENSIONS ARE IN mm)

THE INFORMATION ON THIS DOCUMENT IS THE PROPERTY OF BHARAT HEAVY ELECTRICALS LIMITED
IT MUST NOT BE USED DIRECTLY OR INDIRECTLY IN ANY WAY DETRIMENTAL TO THE INTEREST OF THE COMPANY

REV.	DATE	ALTERED	REV.	DATE	ALTERED
		CHECKED			CHECKED



MATERIAL : HIGH HEAT DUTY

FIRE CLAY (40% Al_2O_3)

SPEC : AA 53304 TYPE II.

INVENTORY NO. SIGN AND DATE REF. DRG NO.

REMARKS		ITEM NO.	DESCRIPTION	STD.	MATL CODE	A/C	UNIT	QTY	06
					AA 53304				
DEPT F&P		UNTOL. DIM. GR C/MF	SCALE N.T.S.	WEIGHT(KG)	REF. TO ASSY DRG.	ITEM NO.	NO OF ITEMS		
CODE 204A					-NA-	-NA-	-NA-		
BHARAT HEAVY ELECTRICALS LTD. HYDERABAD				DRN.	V.L.NATH	SIGN.	DATE	NO OF VAR.	
				CHD.	A.N.SUDHAKAR		13-8-12	-NA-	
				APPD.	M.N.A		13-8-12	-NA-	
TITLE				CARD CODE	DRAWING NO.		REV		
LADDLE BRICK FOR 15T LADLE				-NA-	4-04-916		00		
				SHT No	1	NO OF SHT.	1		

GENERAL DIMENSIONAL LIMITS,
FITS & TOLERANCES AS PER
P.S: HY02.30261