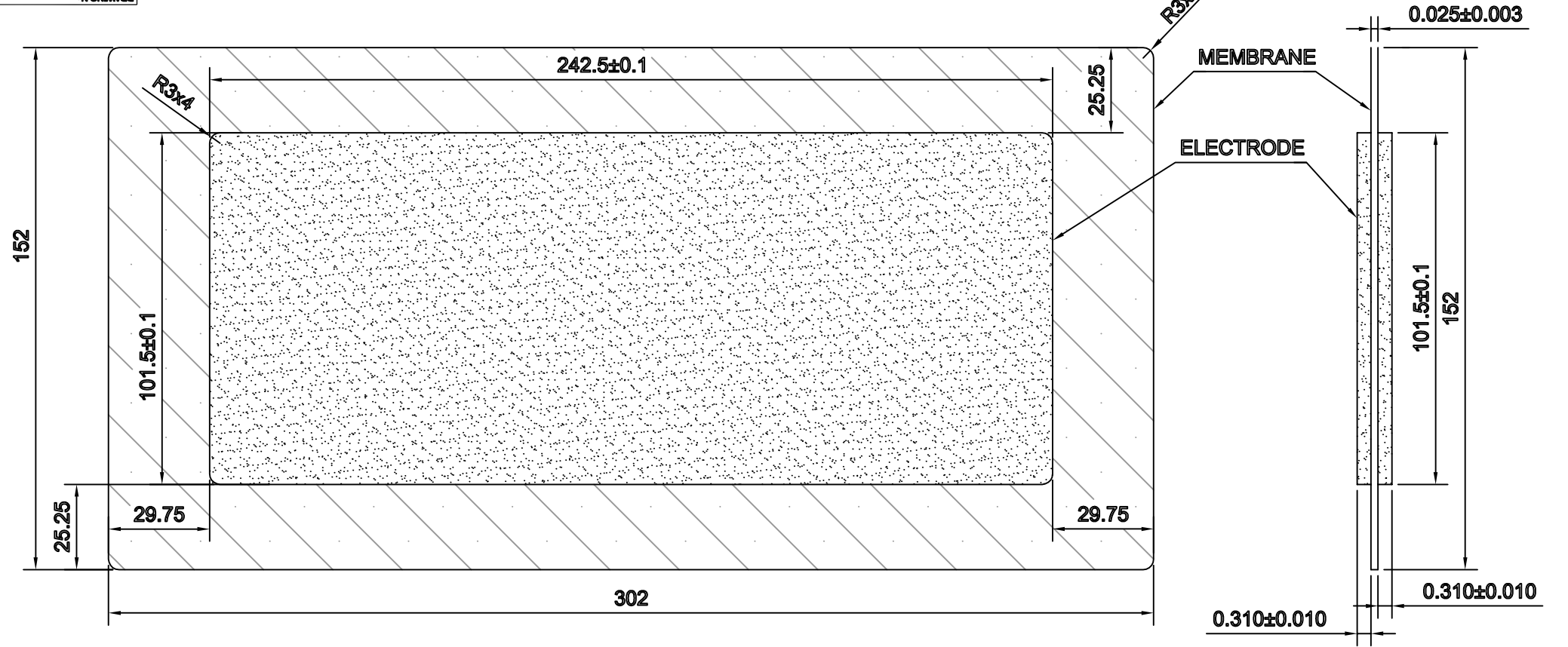


The information on this document is the property of BHARAT HEAVY ELECTRICALS LIMITED. It must not be used directly or indirectly in any way detrimental to the interest of the company.

DRAWING No.

First Angle Projection

All dimensions are in MM



**MATERIAL :** Membrane-Electrode-Assembly.

**NOTE:**

1. Membrane Size is higher than GDE size.
2. GDE : 242.5x101.5mm
3. Anode and Cathode perimeters are bound to fall on same lines.
4. Dimensional tolerances for GDE applies to both Anode and Cathode.
5. Dotted part is active area & cross line hatching part is non-active area.
6. Non-active area (GDE) is coated with Kapton or equivalent material.

REV. DATE		ALTERED	DEPT	MATERIAL	SCALE	TOTAL WT. (Kg)	REF. TO ASSY. DRG.	ITEM No.	No. OF ITEM
		CHECKED	FCR		NTS				
		APPROVED	CODE 62						
<b>TITLE</b> LTPEM-MEMBRANE ELECTRODE ASSEMBLY (MEA)							<b>DRAWING No.</b> 4-PEMFC-62-35-00		<b>REV.</b> 2
							<b>SHT. No.</b>		<b>No. OF SHTS.</b>

ITEM No.	DESCRIPTION	DRAWING No.	MTL. SPCN. MTL. CODE	QTY.	UNIT WT. (Kg)
	Standard PEMFC Stack (150x300mm)				

ADDITIONAL INFORMATION		TYPE OF PRODUCT OR NAME OF THE CUSTOMER/PROJECT																												
STATUS OF DRAWING		Standard PEMFC Stack (150x300mm)																												
DISTRIBUTION OF PRINTS		<table border="1"> <thead> <tr> <th></th> <th>NAME</th> <th>SIGN</th> <th>DATE</th> <th>No. OF VAR</th> </tr> </thead> <tbody> <tr> <td>DRN</td> <td>DNYNDEV</td> <td></td> <td></td> <td></td> </tr> <tr> <td>CKD</td> <td>HARI BABU</td> <td></td> <td></td> <td></td> </tr> <tr> <td></td> <td>VASU G</td> <td></td> <td></td> <td></td> </tr> <tr> <td>APPD</td> <td>M R PAWAR</td> <td></td> <td></td> <td></td> </tr> </tbody> </table>					NAME	SIGN	DATE	No. OF VAR	DRN	DNYNDEV				CKD	HARI BABU					VASU G				APPD	M R PAWAR			
	NAME	SIGN	DATE	No. OF VAR																										
DRN	DNYNDEV																													
CKD	HARI BABU																													
	VASU G																													
APPD	M R PAWAR																													