

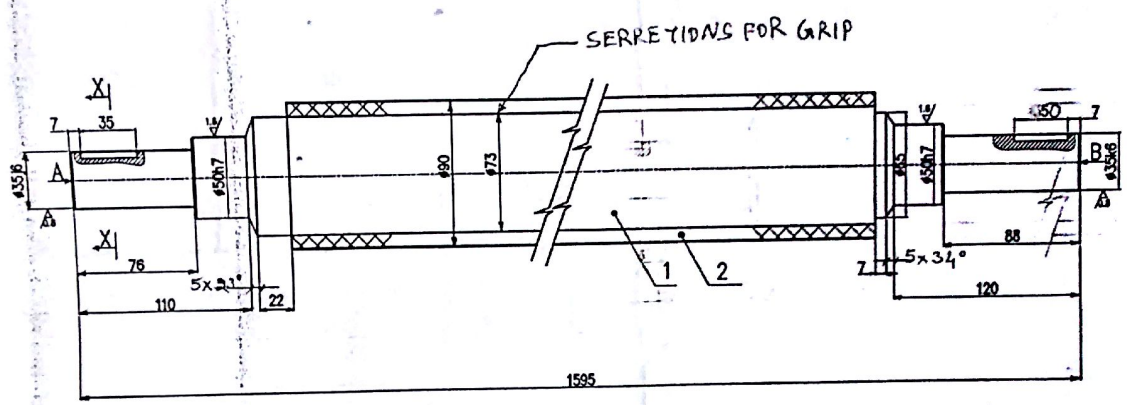


TD-196
Rev.No.0

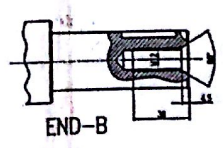
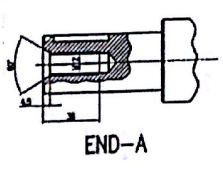
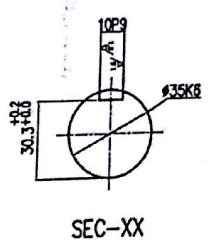
MACHINE COMPONENT SKETCH SHEET

PLANT DESIGNS

| | | | | | | | | | |
|----------------------------------|----------|------------------|-------------|------------------------|-----|------------------------|----------|-------|---------|
| TITLE: <u>FEED RUBBER ROLLER</u> | | MATERIAL & CODE | HARDNESS | Wt Kg | | RAW MATERIAL DIMENSION | DATE | SCALE | REMARKS |
| | | | | GROSS | NET | | | | |
| MACHINE & TYPE | FILE No. | BLOCK No.&INV.No | SKETCHED BY | CHECKED BY | | | | | |
| DEBURRING M/C 02 BLOCK | 652 | 02-1310 | A.AYYAPPA | CSK <i>[Signature]</i> | | | 24.04.10 | NTS | |

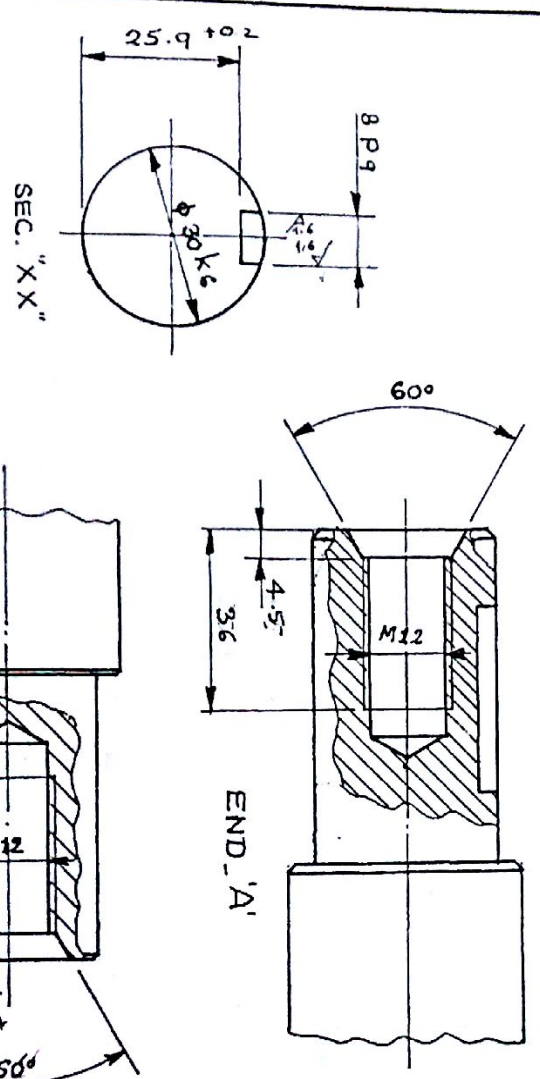
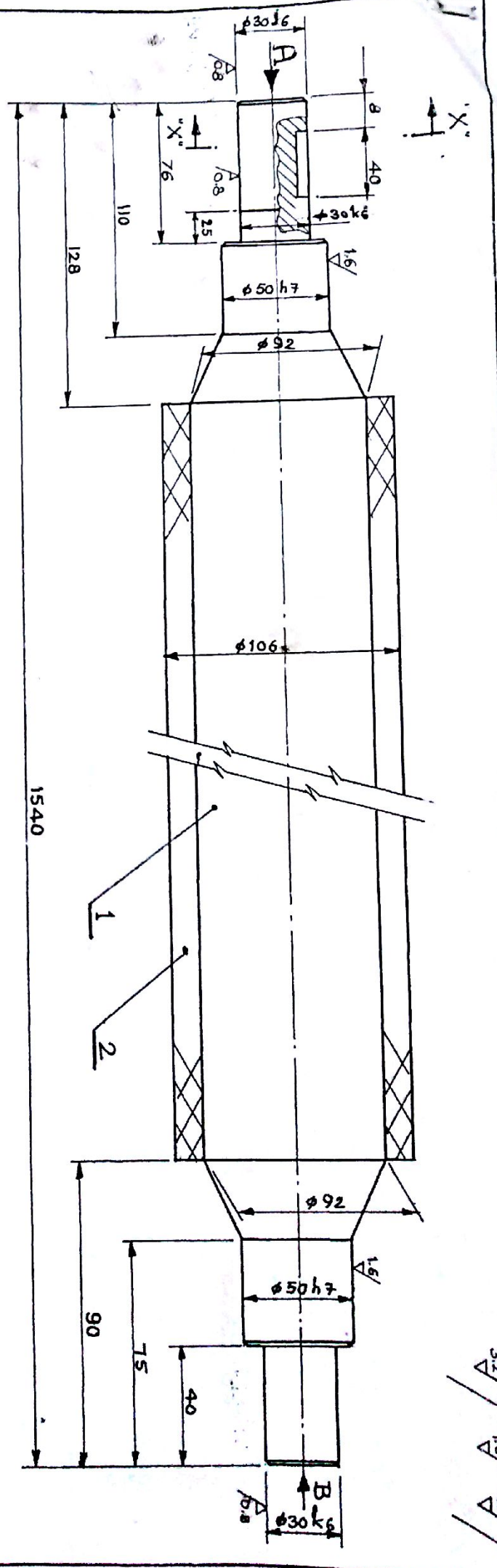


NOTE:-
ALL CHAMFERS ARE 1X45°



| | | | | | |
|----------|-------------|-------------------|----------------|----------|-----------|
| 2 | | | NITRILE RUBBER | | |
| 1 | #90X1620 | | SHORE A 65 | | |
| | | | AA1020208252 | | |
| | | | C40/N | | |
| ITEM NO. | DESCRIPTION | RAW MATERIAL SIZE | MATERIAL CODE | NET WT. | GROSS WT. |
| | | | MATERIAL SPECH | QUANTITY | |

SKETCH No. **S-2795** REV. **00**



| QTY. | DESCRIPTION | MANUFACTURER | MATERIAL CODE | NT WT | GR WT | DRAWING NO. | ITEM NO. |
|------|---------------|--------------|--|-------|-------|-------------|----------|
| 1 | φ. 100 X 1560 | | NITRILE RUBBER GRADE "A" G5 M10202.08.260 C40/N | | | | 2 |
| 1 | | | | | | | 1 |

| | | | | | |
|--------------------------------------|------|------------------|---------|--------|-------|
| REMARKS DE BURNING M/C - O.R. BLOCK. | | NAME / SIGNATURE | | DATE | |
| REV | DATE | ALTERED | CHECKED | TYPE | GROUP |
| | | | | O-2 | |
| DRAWN | | K.S.L. | | DATE | |
| CHECK | | N.J.P. | | DATE | |
| APPROV | | A.K.K. | | DATE | |
| FILE NO. 652 | | SCALE | | REV. 8 | |
| OLD DRAWING NO. | | NTS. | | TD-112 | |
| DEPT 335 | | | | REV. 8 | |

| | | | |
|-------------------|--|--------------------|--|
| TOTAL NET WT (KG) | | TOTAL NET WT (LBS) | |
| | | | |

RUBBER ROLLER
(Checked)

3-RS-7330
REV.00

32 / 1.6 / 0.8