



**Bharat Heavy Electricals Limited**  
**(Seamless steel Tube Plant)**  
Tiruchirappalli – 620014, TAMIL NADU, INDIA

<b>TITLE:</b> <b>SUPPLY OF "Transport Chain Assy. without Sprocket "</b>	Phone: +91 431 257 8439 Email : pcsn@bheltry.co.in Web : <a href="http://www.bhel.com">www.bhel.com</a>
---	---

<b>Enquiry Number: 9440912E</b>	<b>Date: 25.09.2014</b>	<b>Due date for submission of application: 17.10.2014</b>
---------------------------------	-------------------------	---

**BHEL/SSTP, Trichy is looking for offers to supply " Transport Chain Assy. without Sprocket. "**

**PI refer the NIT Notification/Enquiry number for any further communication/correspondence .**

**Important Note to New Vendors (VIEWERS THROUGH BHEL WEB SITE)**

The new vendors will be required to furnish the following documentary proof/ information (whichever applicable) along with their offers:

1. Certificate of registration (copy of certificate to be submitted).
2. Banker's information (copy of bank pass book first page to be submitted).
3. MSME vendor certificate (if applicable).
4. Address of your organization (complete postal address with PINCODE).
5. Contact person's Phone No. /Mobile No. / FAX No. /E-mail ID.
6. Statutory documents – VAT/TIN/EXCISE REGISTRATION/CST REGN /SERVICE TAX REGISTRATION etc. (copy to be furnished)
7. NSIC/SSI Certificate (if applicable)
8. ISO Certificate (if applicable)
9. Experience certificate as proof of supply of similar items to any Govt. agencies / PSU / Organisations (copy of PO's to be furnished).
10. Audit Report/ IT Return (if applicable)
11. Agency agreement with manufacturer (if applicable)
12. Partnership Deed (if applicable).

**If the new vendors failed to submit the above documentary proof/information, their offer will not be considered for this enquiry.**

Purchase Officer / SSTP  
Phone: 0431-257 8439  
Mail: pcsn@bheltry.co.in



**BHARAT HEAVY ELECTRICALS LIMITED**  
 (A GOVERNMENT OF INDIA UNDERTAKING)  
**SEAMLESS STEEL TUBE PLANT**  
**TIRUCHIRAPALLI - 620 014.**  
**TAMILNADU (INDIA)**

PHONE: 0431-2578480/8491  
 : 0431-2578406/8419  
 : 0431-2578568  
 FAX : 0431-2576828

TIN : 33243580005  
 CST. No. : 239383  
 Dated : 11.06.1991

Carp. Identity No:  
 L74899DL1964GDI004281

**PURCHASE ENQUIRY**

VENDDR CODE  
 20048

ENQUIRY NUMBER  
 9440912E

ENQUIRY DATE  
 25/09/2014

ENQUIRY DUE DATE  
 17/18/2014

No. DF IT  
 01

Office Copy

**IMPORTANT POINTS :**

1. Tender Closing Time : 14.00 Hrs.
2. Tender Opening Time : 15.00 Hrs.
3. Tender should be submitted in a sealed cover, duly indicating enquiry No., date & Enquiry Due Date on the cover.
4. Offer(s) received through Courier Services after 14.00 Hrs. on Enquiry Date will not be considered.
5. Late Tender(s) are liable for rejection.
6. Offer(s) shall be valid for 60 days from Enquiry Due Date.
7. Offer(s) in Vendor's Letter head shall contain:
  - a. Offer No. and Date
  - b. Delivery Period
  - c. Delivery Terms
  - d. Payment Terms
  - e. Excise Duty with Tariff heading, Sales Tax (against form -XVII Form-C), u
  - f. Excise Regn. No. and SSI Regn. No.

Kindly arrange to submit your **COMPETITIVE OFFER** for the following item(s)  
 If you are not in a position to submit your Offer, kindly arrange to send your **REGRET LETTER**.

**THIS IS ONLY A REQUEST FOR OFFER AND NOT AN ORDER**

Sl.No.	BHEL Material Code and Description	Unit	Requirement	
			Quantity	Delivery
	BHEL Material Code : SP9112521008 TRANSFER CHAIN ASSEMBLY WITHOUT SPRCKET. ASSEMBLY DRG.NO.2-7-1125-21-10104 NOTE: SUPPLY SHOULD BE IN ASSEMBLED CONDITION PART 1 TO 8 OF DRAWING NO.2-7-1125-21-10103 PART DRG.NOS. 1.OUTER LINK 4-7-1125-21-10243 2.V-BLDCK-INNER LINK 3-7-1125-21-10115 3.LINKS CONNECTING SHAFT 3-7-1125-21-10114 4.BUSH 4-7-1125-21-10244	Nas.	01 2.000	10/12/20
	<b>Fact Note ::</b> 1)Tendrerers are requested to submit their offers on TWD-8ID basis (Ref.annex.A,C,D) viz. (a) Part-I - Technical and Un-priced Bid & (b) Part-II - Price Bid. Both the above Bids are to be submitted before 14.00 hours (Indian Time) on Tender Due dt. 2)Annexure-C & D(if applicable) must be filled and submit with offer with Part-I 3)Inspection/Testing of material at suppliers works by BHEL/SSTP Inspector is necessary prior to despatch. 4)Test Certificate and guarantee certificate to be furnished along with supply. 5)Chain assembly to be tightly packed in wooden Box to avoid any transit damage.			

**IMPORTANT NOTE :**

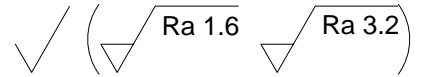
1. Delivery Terms : Free Delivery at BHEL-SSTP STORES is preferable.
2. Payment Terms : 100% payment after 45 days after receipt and acceptance of materials by BHEL.
3. Terms and Conditions of Tender : Please see reverse.
4. The Technical Requirements/Specification Details/Quality Requirements/Commercial Terms & Conditions are clearly furnished in the Tender. If Deviation(s) are not explicitly brought out in the Offer, it will be construed that the Tenderer is complying with the requirement of BHEL in full without any deviation(s).

For and on behalf of  
**BHARAT HEAVY ELECTRICALS LTD.**

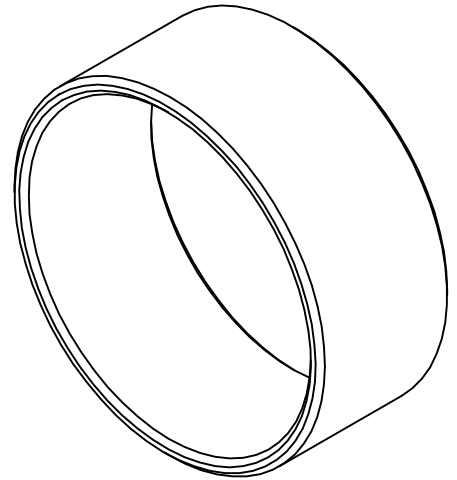
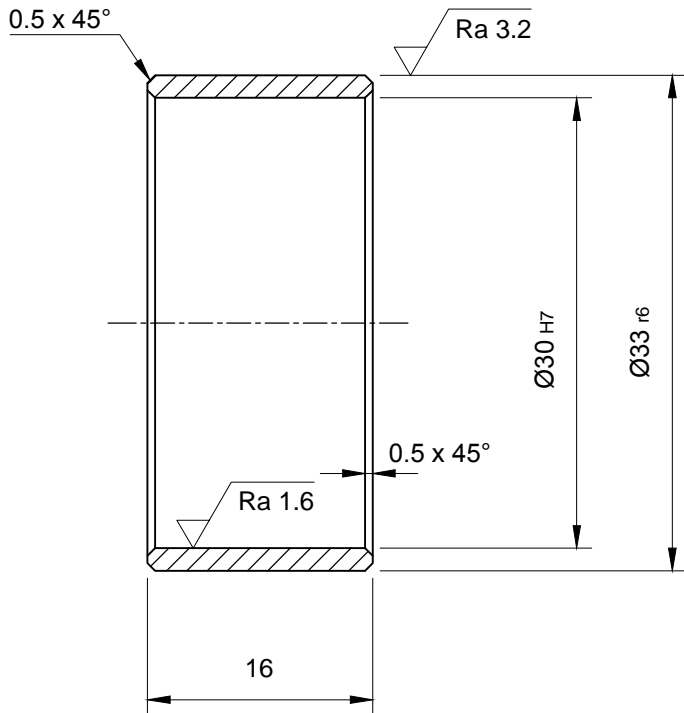
*[Signature]*  
**PURCHASE EXECUTIVE**

ALL DIMENSIONS ARE IN MM

REV 01	DATE	ALTERED
		CHECKED
		APPROVED



Nominal size	Tolerance field	Deviation
Ø30	H7	+0.025 0
Ø33	r6	+0.05 +0.034



CAUTION: THE INFORMATION ON THIS DOCUMENT IS THE PROPERTY OF BHARAT HEAVY ELECTRICALS LIMITED. IT MUST NOT BE USED DIRECTLY OR INDIRECTLY IN ANY WAY DETRIMENTAL TO THE INTEREST OF THE COMPANY.

			CuSn8Zn4 IS 306	
ITEM NO	DESCRIPTION	DRAWING NO	MATL CODE	UNIT WT
			MATL SPEC	QTY

EQPT: POSITIONING ROLLER CONVEYOR , CRIMPING LINE AND CRIMPING PRESS WITH FACILITIES



Bharat Heavy Electricals Ltd  
SEAMLESS STEEL TUBE PLANT  
TIRUCHIRAPALLI - 620014

DRN	NAME	SIGNATURE	DATE
	S.S.N.KUMAR / R.V	<i>S.S.N.kumar/R.V</i>	28.11.13
CHD	G.LOGANATHAN	<i>G.Loganathan</i>	28.11.13
APPD	M.CHANDRAKUMAR	<i>M.Chandrakumar</i>	28.11.13

DEPT SSTP	GRADE OF UNTOL. DIM		SCALE	WEIGHT (Kg)	REF TO ASSY DWG NO 2-7-1125-21-10103	ITEM 4
CODE 456	Ø/M/£ IS: 2102		2:1	0.018	REF TO OLD DWG NO -	

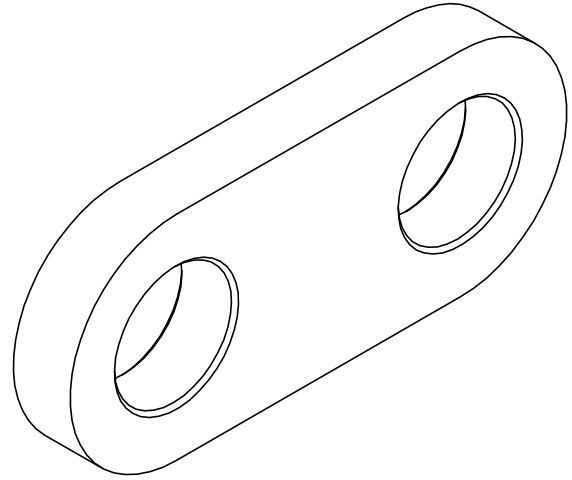
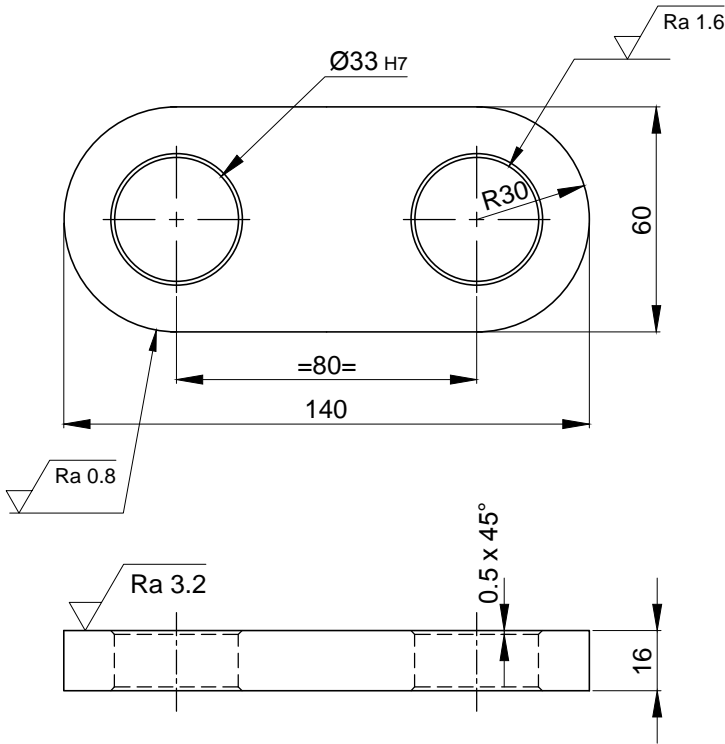
TITLE	CARD CODE	DRAWING NO :	REV
<b>CRP - BUSH FOR INNER / OUTER LINKS</b>	U 01	<b>4-7-1125-21-10244</b>	00


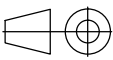
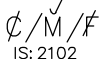
ALL DIMENSIONS ARE IN MM

REV 01	DATE	ALTERED
		CHECKED
		APPROVED

✓ ( ✓ Ra 0.8    ✓ Ra 3.2    ✓ Ra 1.6 )

Nominal size	Tolerance field	Deviation
Ø33	H7	+0.021 0



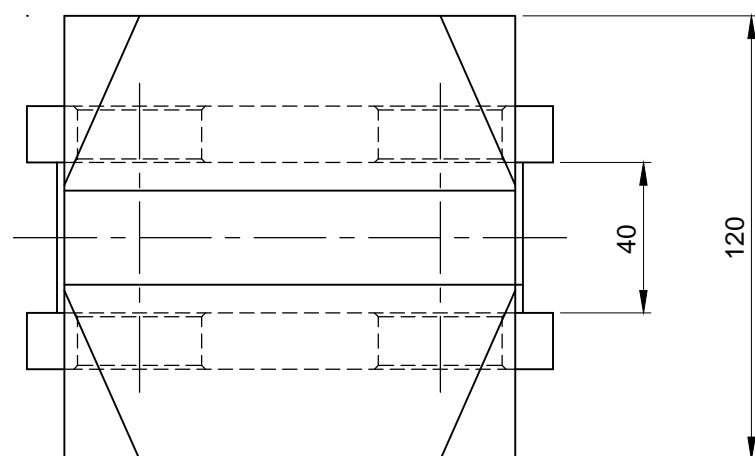
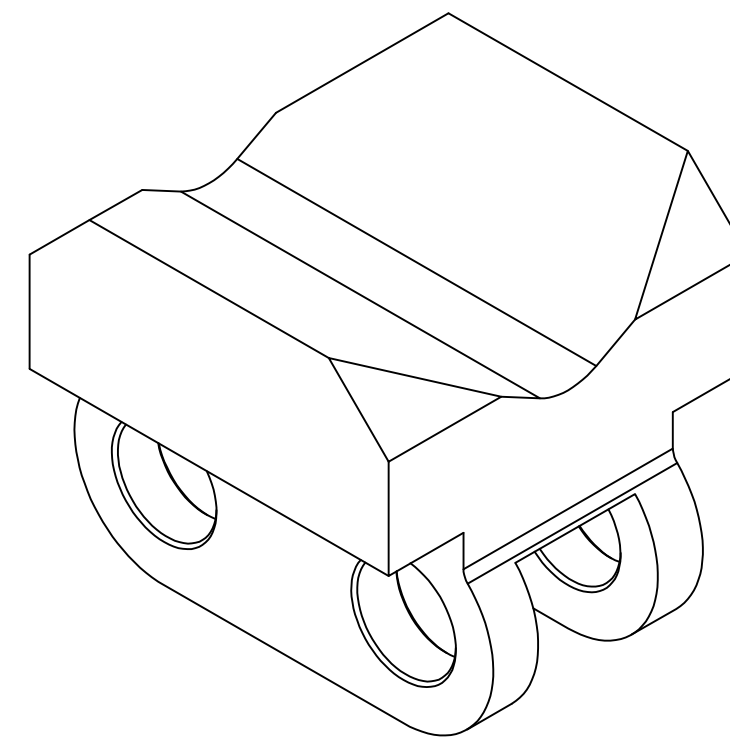
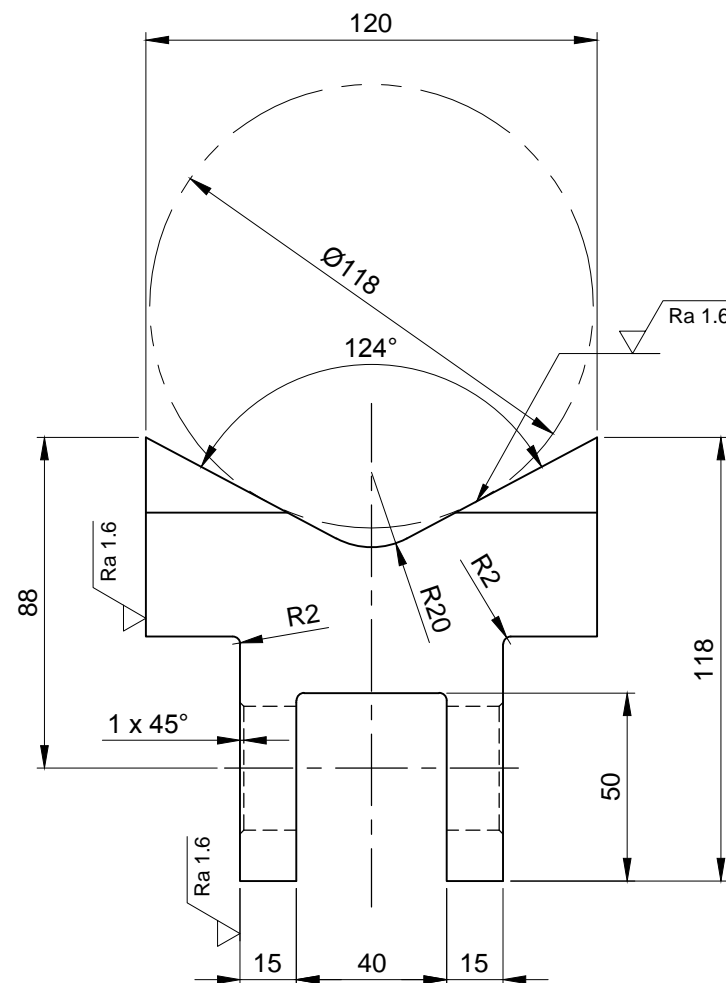
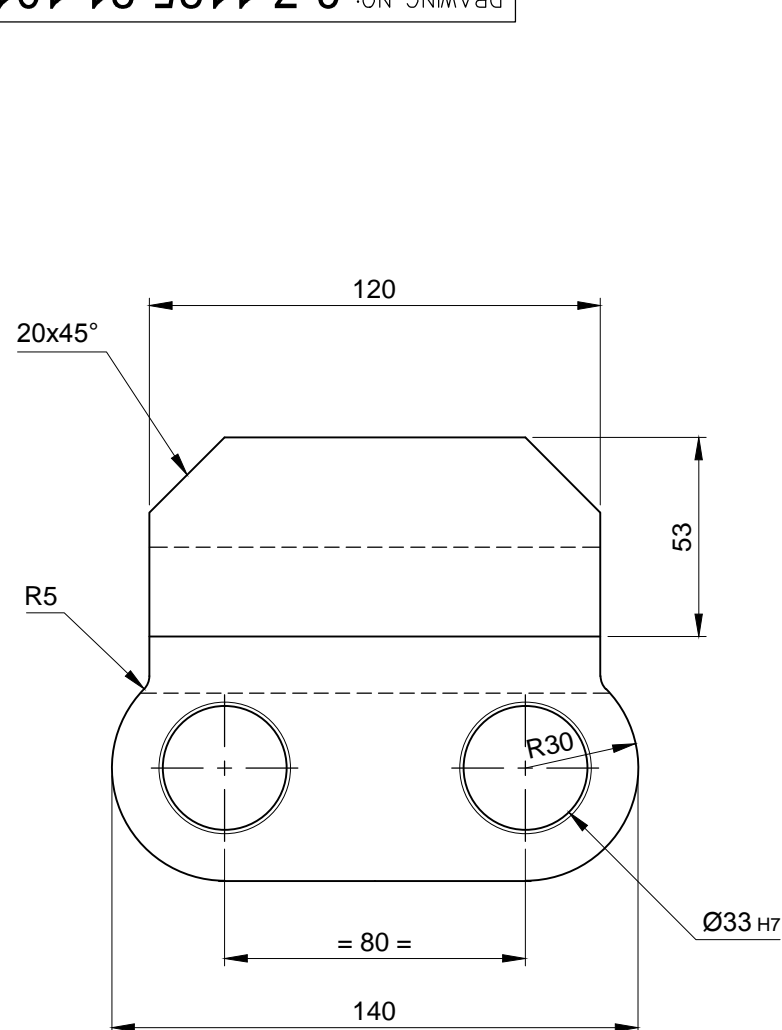
CAUTION: THE INFORMATION ON THIS DOCUMENT IS THE PROPERTY OF BHARAT HEAVY ELECTRICALS LIMITED. IT MUST NOT BE USED DIRECTLY OR INDIRECTLY IN ANY WAY DETRIMENTAL TO THE INTEREST OF THE COMPANY.	1	PL 140 x 60 x 12			E 410C IS 2062	
	ITEM NO	DESCRIPTION	DRAWING NO		MATL CODE	UNIT WT
					MATL SPEC	QTY
	EQPT: POSITIONING ROLLER CONVEYOR, CRIMPING LINE AND CRIMPING PRESS WITH FACILITIES					
 Bharat Heavy Electricals Ltd SEAMLESS STEEL TUBE PLANT TIRUCHIRAPALLI - 620014		DRN	NAME S.S.N.KUMAR / R.V	SIGNATURE <i>S.S.N. Kumar / R.V</i>	DATE 28.11.13	
		CHD	G.LOGANATHAN	<i>G. Loganathan</i>	28.11.13	
		APPD	M.CHANDRAKUMAR	<i>M. Chandrakumar</i>	28.11.13	
DEPT SSTP	GRADE OF UNTOL. DIM		SCALE	WEIGHT (Kg)	REF TO ASSY DWG NO 2-7-1125-21-10103	ITEM 1
CODE 456	 IS: 2102		1:2	0.759	REF TO OLD DWG NO -	
TITLE			CARD CODE	DRAWING NO :	REV	
CRP - OUTER LINK			U 01	4-7-1125-21-10243	00	

ALL DIMENSIONS ARE IN MILLIMETRES


DRAWING NO: 3-7-1125-21-10115

✓ (✓ Ra 1.6)

Nominal size	Tolerance field	Deviation
Ø33	H7	+0.021 0



CAUTION: THE INFORMATION ON THIS DOCUMENT IS THE PROPERTY OF BHARAT HEAVY ELECTRICALS LIMITED. IT MUST NOT BE USED DIRECTLY OR INDIRECTLY IN ANY WAY DETRIMENTAL TO THE INTEREST OF THE COMPANY.

ITEM NO	DESCRIPTION	DRAWING NO	E 410C IS 2062		
			MATL CODE	UNIT WT	
			MATL SPEC	QTY	
EQPT: POSITIONING ROLLER CONVEYOR , CRIMPING LINE AND CRIMPING PRESS WITH FACILITIES					
 <b>Bharat Heavy Electricals Ltd</b> SEAMLESS STEEL TUBE PLANT TIRUCHIRAPALLI - 620014		DRN	S.S.N.KUMAR / R.V	SIGNATURE <i>S.S.N.Kumar/R.V</i>	DATE 28.11.13
		CHD	G.LOGANATHAN	<i>G. Loganathan</i>	28.11.13
		APPD	M.CHANDRAKUMAR	<i>M. Chandrakumar</i>	28.11.13
DEPT SSTP CODE 456	GRADE OF UNTOL. DIM φ/M/F IS: 2102	SCALE 1:2	WEIGHT (Kg) 6.247	REF TO ASSY DWG NO 2-7-1125-21-10103	ITEM 2
TITLE <b>CRP - V - BLOCK - INNER LINK</b>			CARD CODE U 01	DRAWING NO : <b>3-7-1125-21-10115</b>	REV 00

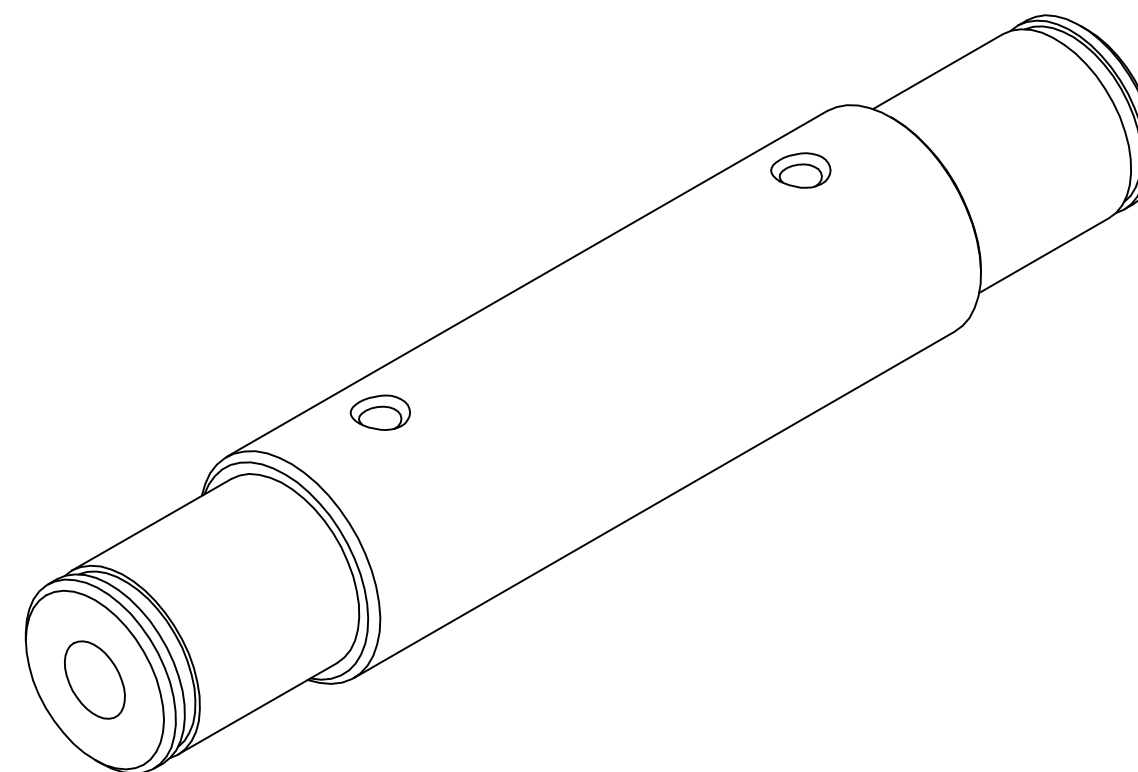
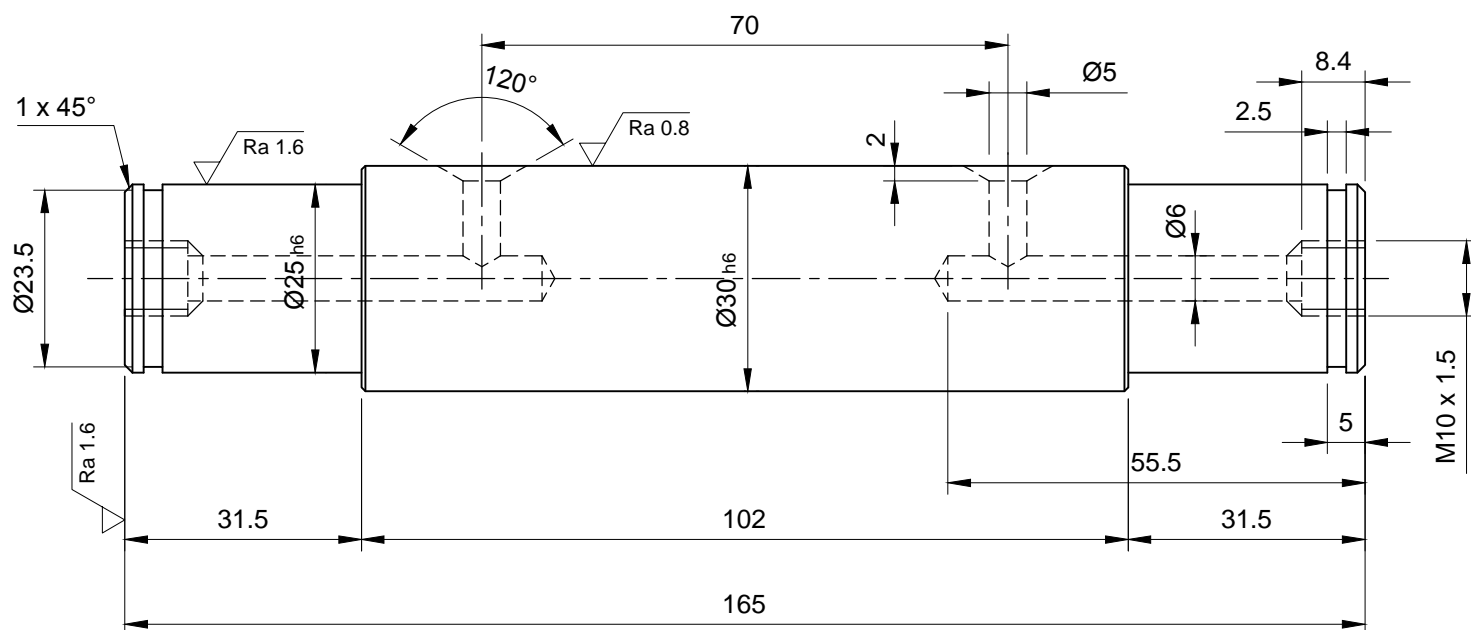
REV	DATE	ALTERED
01		CHECKED APPROVED

ALL DIMENSIONS ARE IN MILLIMETRES


DRAWING NO: 3-7-1125-21-10114

✓ (✓ Ra 0.8 ✓ Ra 1.6)

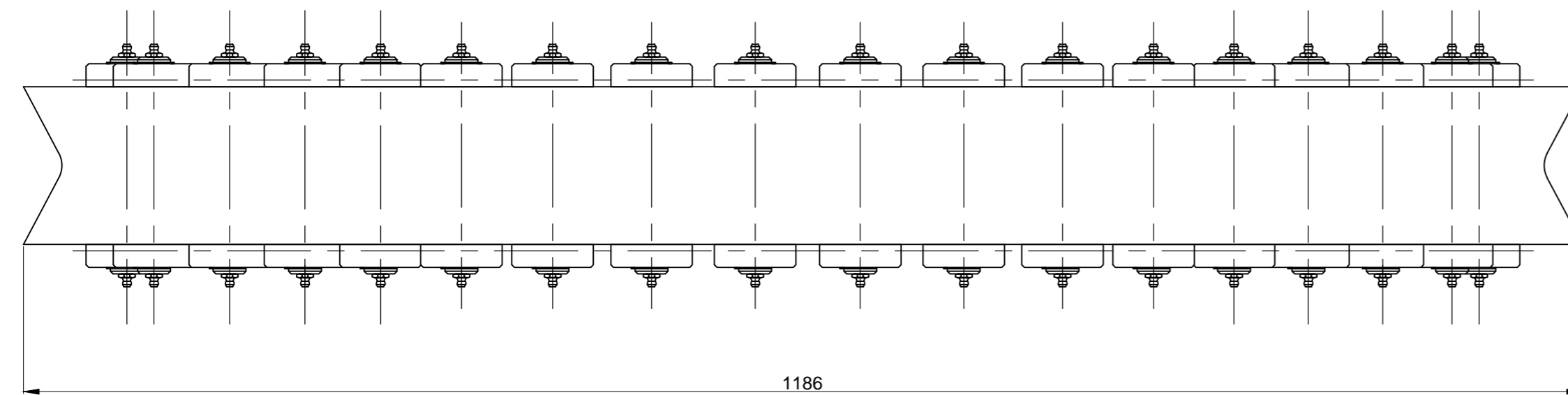
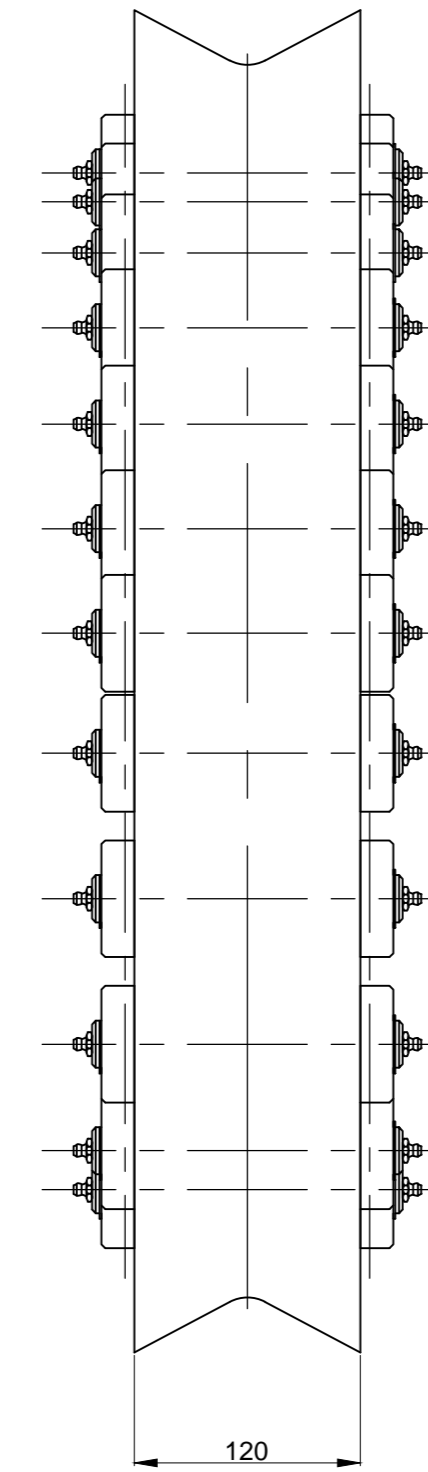
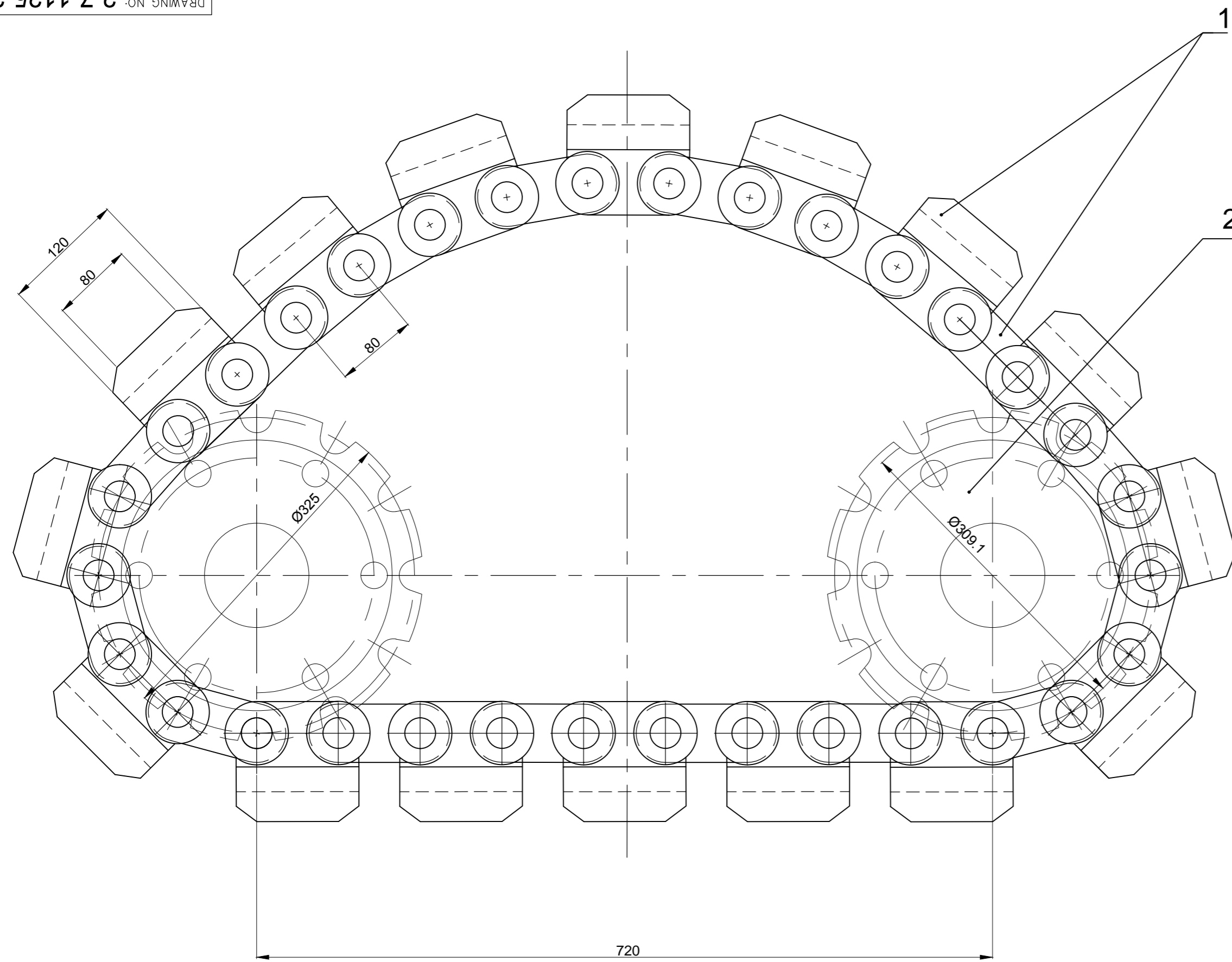
Nominal size	Tolerance field	Deviation
Ø25	h6	0 -0.013
Ø30	h6	0 -0.016



CAUTION: THE INFORMATION ON THIS DOCUMENT IS THE PROPERTY OF BHARAT HEAVY ELECTRICALS LIMITED. IT MUST NOT BE USED DIRECTLY OR INDIRECTLY IN ANY WAY DETRIMENTAL TO THE INTEREST OF THE COMPANY.

				42CrMo4		
ITEM NO	DESCRIPTION	DRAWING NO	MATL CODE		UNIT WT	
			MATL SPEC		QTY	
EQPT: POSITIONING ROLLER CONVEYOR , CRMPING LINE AND CRIMPING PRESS WITH FACILITIES						
 Bharat Heavy Electricals Ltd SEAMLESS STEEL TUBE PLANT TIRUCHIRAPALLI - 620014		DRN	NAME	SIGNATURE	DATE	
		CHD	S.S.N.KUMAR / R.V	<i>S.S.N.KUMAR/R.V</i>	28.11.13	
		APPD	G.LOGANATHAN	<i>G. Loganathan</i>	28.11.13	
			M.Chandrakumar	<i>M. Chandrakumar</i>	28.11.13	
DEPT	GRADE OF UNTOL. DIM	SCALE	WEIGHT (Kg)	REF TO ASSY DWG NO	ITEM	
SSTP	φ/M/£	1:1	0.771	2-7-1125-21-10103	3	
456	IS: 2102			REF TO OLD DWG NO		
TITLE				CARD CODE	REV	
CRP - LINKS CONNECTING SHAFT				U 01	00	
				DRAWING NO :		
				3-7-1125-21-10114		

REV	DATE	ALTERED
01		CHECKED
		APPROVED



NOTE:  
FOR TRANSFER CHAIN - PARTS REFER DRG. NO. : 2-7-1125-21-10103

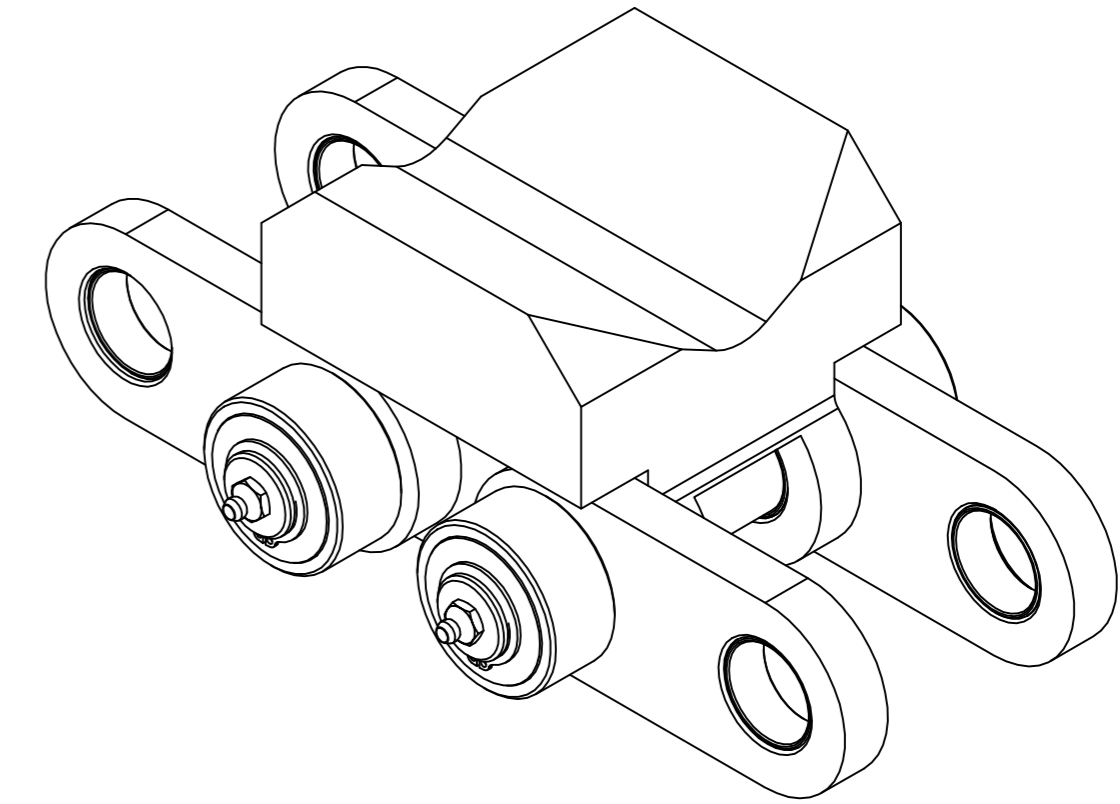
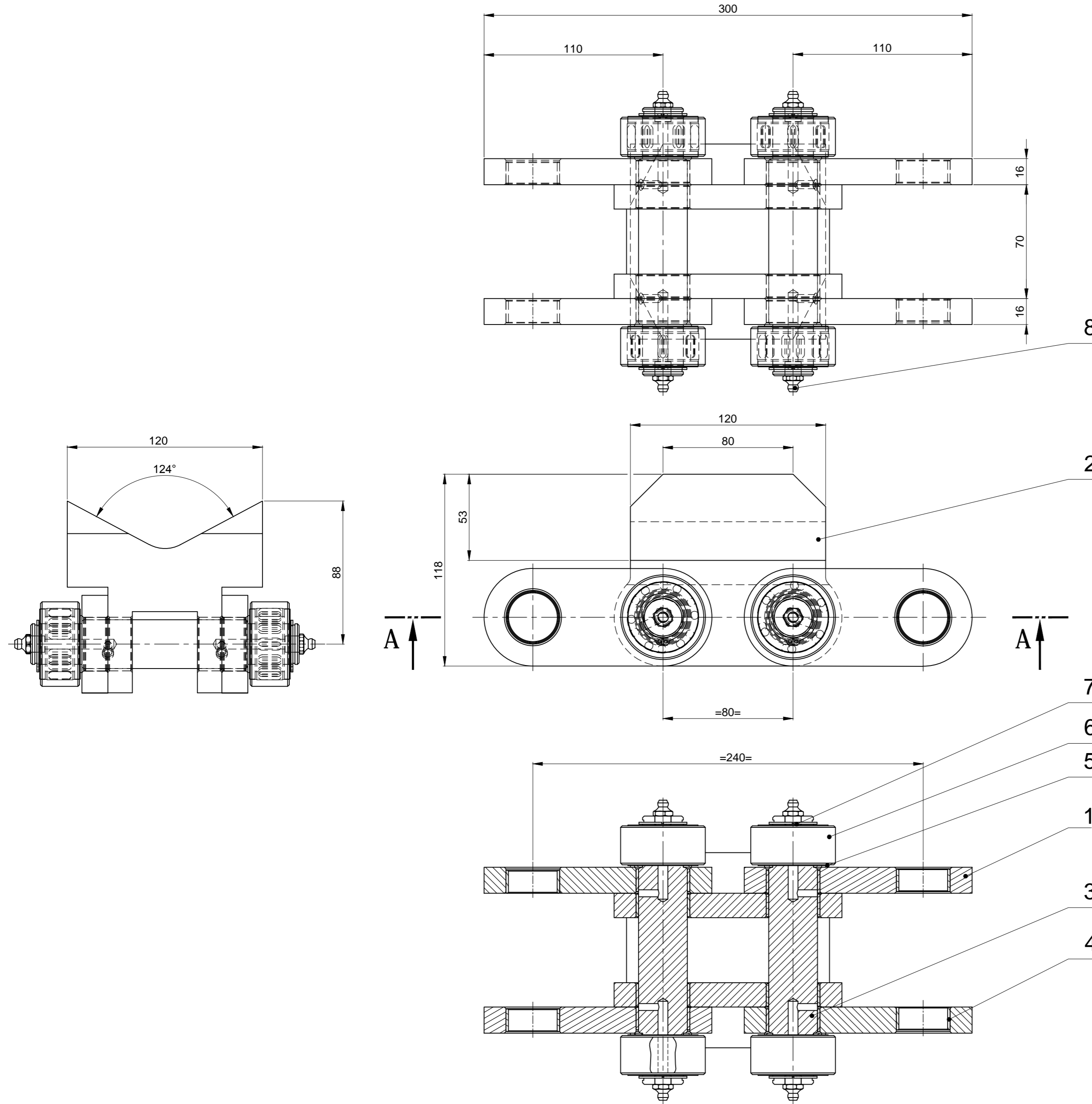
2	CHAIN SPROCKET		28.60
		45C8 IS 1875	2
1	TRANSFER CHAIN - PARTS	2-7-1125-21-10103	166.84
			1
ITEM NO	DESCRIPTION	DRAWING NO	MATL CODE UNIT WT
			MATL SPEC QTY

EQPT: POSITIONING ROLLER CONVEYOR, CRIMPING LINE AND CRIMPING PRESS WITH FACILITIES

	Bharat Heavy Electricals Ltd SEAMLESS STEEL TUBE PLANT TIRUCHIRAPALLI - 620014		DRN	S.S.N.KUMAR / R.V	SIGNATURE	S. S. N. Kumar / R. V	DATE	23.11.13
			CHD	G.LOGANATHAN	SIGNATURE	S. Loganathan	DATE	23.11.13
			APPD	M.CHANDRAKUMAR	SIGNATURE	M. Chandrakumar	DATE	23.11.13
DEPT	GRADE OF UNTOL. DIM	SCALE	WEIGHT (Kg)	REF TO ASSY DWG NO		ITEM		
SSTP	456	1:4	195.44	0301511-21.000 _ 02				
TITLE			CARD CODE	DRAWING NO :		REV		
CRP - TRANSFER CHAIN ASSY			U 01	2-7-1125-21-10104		00		

CAUTION: THE INFORMATION ON THIS DOCUMENT IS THE PROPERTY OF BHARAT HEAVY ELECTRICALS LIMITED. IT MUST NOT BE USED DIRECTLY OR INDIRECTLY IN ANY WAY DETRIMENTAL TO THE INTEREST OF THE COMPANY.

REV	DATE	ALTERED
01		CHECKED
		APPROVED



NOTE:  
FOR TRANSFER CHAIN ASSY REFER DRG. NO. : 2-7-1125-21-10104

ITEM NO	DESCRIPTION	DRAWING NO	MATL CODE	UNIT WT
8	CONICAL GREASE NIPPLE A M10x1 IS 4009 / 2		St Gr 4.8 IS 1367	0.008
7	CIRCLIP 25 x 1.5 N IS 3075		70 C6 IS 2507	0.002
6	SUPPORT ROLLER WITH FLANGE RINGS (TRACK ROLLERS) PWTR 2562.2RS		SKF / INA	0.238
5	PLAIN WASHER 25 IS 2016		STEEL	0.004
4	BUSH FOR INNER / OUTER LINKS	4-7-1125-21-10244		0.018
3	LINKS CONNECTING SHAFT	3-7-1125-21-10114		0.771
2	V - BLOCK - INNER LINK	3-7-1125-21-10115		6.247
1	OUTER LINK	4-7-1125-21-10243		0.759
			MATL SPEC	QTY

DEPT	SSTP	GRADE OF UNTOL. DIM	SCALE	WEIGHT (Kg)	REF TO ASSY DWG NO	ITEM
456		G/M/F IS:2102	1:2	166.768	2-7-1125-21-10104	-
TITLE					CARD CODE	REV
CRP - TRANSFER CHAIN - PARTS					U 01	00

CAUTION: THE INFORMATION ON THIS DOCUMENT IS THE PROPERTY OF BHARAT HEAVY ELECTRICALS LIMITED. IT MUST NOT BE USED DIRECTLY OR INDIRECTLY IN ANY WAY DETRIMENTAL TO THE INTEREST OF THE COMPANY.

DRN	NAME	SIGNATURE	DATE
	S.S.N.KUMAR/C.R	S.S.N.Kumar/C.R	26.11.13
	G.LOGANATHAN	G.Loganathan	26.11.13
	M.CHANDRAKUMAR	M.Chandrakumar	26.11.13

EQPT:	DRAWING NO	MATL CODE	UNIT WT
POSITIONING ROLLER CONVEYOR , CRMPING LINE AND CRMPING PRESS WITH FACILITIES	2-7-1125-21-10104		

REV	DATE	ALTERED
01		CHECKED APPROVED

SECTION A-A

## ANNEXURE-A

### IMPORTANT NOTE TO TENDERERS (FOR INDIGENOUS & OVERSEAS SUPPLIERS)

This Tender is floated on TWO-BID System. Tenders are requested to submit their offers in TWD-BIDS (Part I: Un priced bid and Part II: Price Bid) separately in a sealed cover as follows.

1. **Part I: UN PRICED BID:** (Complete with technical & Commercial conditions as per enquiry including un priced copy of price schedule i.e. identical to part II with prices blanked and replaced by "Quoted").

The Tenderer should confirm their acceptance / comments to the Enquiry along with other commercial Terms & Conditions of the Tender. In case any deviation is taken by the Tenderer from the Tender requirements, it is to be clearly indicated in the offer with reference to the particular clause. If such deviations are not explicitly indicated in the offer, it will be construed by BHEL that the Tenderer is complying with Annexure Clause(s), Commercial terms & conditions and other conditions in full.

2. **Part II: PRICE BID:** Price (with break-up details wherever required) to be indicated.
3. **Both Un priced Bid and Price Bid** is to be submitted in a single envelop before 1400 hours (Indian Time) on tender Due Date
4. The **Unpriced Bid** shall be put in a separate sealed cover superscribed with Tender number, Tender Date & Tender Due Date and also the cover should be clearly marked with "UNPRICED BID".
5. The **Price Bid** shall be put in a separate sealed cover superscribed with Tender number, Tender Date & Tender Due Date & the cover should be clearly marked with "PRICE BID".
6. Both the individually enveloped **UNPRICED BID** and **PRICE BID** covers as mentioned above, have to be put in another single bigger cover clearly indicating Tender number, Tender Date & Tender Due Date at the top of the cover. This cover is to be addressed to

Purchase Executive,  
Purchase Department,  
Seamless Steel Tube Plant (SSTP),  
BHEL, Tiruchirappalli-620014, India.  
Phone No 91 431 2578502, 2578491

7. Un-priced Bid shall only be opened on the Tender Due Date mentioned in the Tender, in the presence of Tenderers / their Authorized Representative, who may like to be present for such opening. The price bid will NOT be opened on the date of tender opening.
8. After opening the Un-priced Bid, they shall be evaluated by BHEL for their suitability BHEL shall hold discussions with the responded Tenderers on the Technical and Commercial terms and freeze the terms & conditions of the offer. These frozen technical specifications will be communicated to responded tenderers.
9. BHEL shall offer opportunity to the responded and technically / commercially suitable Tenderers, to submit their latest Price Bid/ Impact of prices, if any in line with the frozen technical . Commercial . delivery conditions.
10. This latest Price Bid & the Impact of prices for the frozen technical specifications submitted by the Tenderers will be opened in the presence of Tenderers. Based on the above, the ranking of the Tenderers shall be made and accordingly the Tender shall be finalized.
11. "BHEL reserves the right to go for Reverse Auction (RA) instead of opening the sealed envelope price bid, submitted by the bidder. This will be decided after techno-commercial evaluation. All bidders to give their acceptance for participation in RA. Non-acceptance to participate in RA may result in non-consideration of their bids, in case BHEL decides to go for RA, and if BHEL decides to go for opening the sealed envelop price bid, the offer submitted during the tender due date will considered.

In case BHEL decides to go for Reverse Auction, only those bidders who have given their acceptance to participate in RA will be allowed to participate in the Reverse Auction. Those bidders who have given their acceptance to participate in Reverse Auction will have to necessarily submit "online sealed bid" in the Reverse Auction. Non-submission of "online sealed bid" by the bidder will be considered as tampering of the tender process and will invite action by BHEL as per extant guidelines in vogue.

## Terms & Conditions of REVERSE AUCTION

Against this enquiry for the subject item/ system with detailed scope of supply as per enquiry specifications, BHEL may resort to "REVERSE AUCTION PROCEDURE" i.e., ON LINE BIDDING (THROUGH A SERVICE PROVIDER). The philosophy followed for reverse auction shall be English Reverse (No ties).

1. For the proposed reverse auction, technically and commercially acceptable bidders only shall be eligible to participate.
  - Those bidders who have given their acceptance for Reverse Auction (quoted against this tender enquiry) will have to necessarily submit "online sealed bid" in the Reverse Auction. Non-submission of "online sealed bid" by the bidder for any of the eligible items for which techno-commercially qualified, will be considered as tampering of the tender process and will invite action by BHEL as per extant guidelines in vogue.
2. BHEL will engage the services of a service provider who will provide all necessary training and assistance before commencement of on line bidding on internet.
3. In case of reverse auction, BHEL will inform the bidders the details of Service Provider to enable them to contact & get trained.
4. Business rules like event date, time, bid decrement, extension etc. also will be communicated through service provider for compliance.
5. Bidders have to fax the Compliance form (annexure IV) before start of Reverse auction. Without this, the bidder will not be eligible to participate in the event.

In line with the NIT terms, BHEL will provide the calculation sheet (e.g., EXCEL sheet) which will help to arrive at "Total Cost to BHEL" like Packing & forwarding charges, Taxes and Duties, Freight charges, Insurance, Service Tax for Services and loading factors (for non-compliance to BHEL standard Commercial terms & conditions) for each of the bidder to enable them to fill-in the price and keep it ready for keying in during the Auction.

6. Reverse auction will be conducted on scheduled date & time.
7. At the end of Reverse Auction event, the lowest bidder value will be known on auction portal.
8. The lowest bidder has to fax/e-mail the duly signed and filled-in prescribed format for price breakup including that of line items, if required, (Annexure VII) as provided on case-to-case basis to Service provider within two working days of Auction without fail.
9. In case BHEL decides not to go for Reverse Auction procedure for this tender enquiry, the Price bids and price impacts, if any, already submitted and available with BHEL shall be opened as per BHEL's standard practice.
10. Bidders shall be required to read the "Terms and Conditions" section of the auctions site of Service provider, using the Login IDs and passwords given to them by the service provider before reverse auction event. Bidders should acquaint themselves of the „Business Rules of Reverse Auction", which will be communicated before the Reverse Auction.
11. If the Bidder or any of his representatives are found to be involved in Price manipulation/ cartel formation of any kind, directly or indirectly by communicating with other bidders, action as per extant BHEL guidelines, shall be initiated by BHEL and the results of the RA scrapped/ aborted.
12. The Bidder shall not divulge either his Bids or any other exclusive details of BHEL to any other party
13. In case BHEL decides to go for reverse auction, the H1 bidder(s) (whose quote is highest in online sealed bid) may not be allowed to participate in further RA process.

**Annexure - C.**  
**Commercial Conditions**

Vendor Code:	Vendor Name:	
Tender No.:	Tender Date:	Tender Due Date:

Sl.No	Commercial Terms	Accepted
C1.	<u>Delivery Terms :</u> Free delivery at BHEL/SSTP Stores duly including Packing, Forwarding, Freight and Insurance charges	
C2.	<u>Payment :</u> 100% after 45 days after receipt and acceptance of materials by BHEL	
C3	<u>LIQUIDATED DAMAGES:</u> It is clearly understood among the parties to the Contract that TIME IS THE ESSENCE OF THE CONTRACT. Therefore, the delivery of the goods specified in the Purchase Order shall be made within the time prescribed. Where the Seller supplies or despatches the goods, beyond the delivery period specified, and the Purchaser will have no obligation to accept the goods. If accepted, Liquidated Damages at the rate of 0.5% (Zero point five Percent) of the value of goods delayed, per week of delay, subject to a maximum of 10% (Ten Percent) or part thereof, will be levied without prejudice to any other relief or compensation due to the Purchaser under any other conditions of the Contract. <u>RISK PURCHASE:</u> Alternatively, the Purchaser, at his option, will be entitled to terminate the Contract and to purchase elsewhere at the risk and cost of Seller, either the whole of the goods or any part, which the Seller has failed to deliver or dispatch within the time stipulated as aforesaid or if the same were not available the best and nearest available substitute thereof. The Seller shall be liable for any loss, which the Purchaser may sustain by reason of such Risk Purchase(s), in addition to penalty at the rate mentioned in Clause No.06 above.	
C4.	<u>Delivery Period :</u> As per Enquiry schedule.	
C5.	<u>Validity - minimum 60 Days from the date of Tender Opening.</u>	
<u>Deviations if any (attach additional sheet, if required) :</u>		

Sl.No.	Commercial Terms	
C6.	Validity of Offer (Date)	
C7	Excise Duty (including Cess) % (with Break up details)	
C8.	TVNAT / CST (%)	
C9.	Delivery Period (Days/Weeks/Months) Please refer the Enquiry.	
C10.	Other Cost (if any) - % (or) Rs.	
C11.	Are you Micro/Small/Medium Industry? (If YES, please furnish MSM Regn.No., along with a copy of MSM Certificate)	YES / NO MSM No. MSM Certificate enclosed(Yes/ND)

Signature with Date :

**Important Note to MSE Vendors**

1. 20% of the tendered quantity is earmarked for MSE suppliers in this tender.
2. Out of the 20% tendered quantity reserved for MSE suppliers, 4% shall be earmarked for procurement from MSE owned by SC / ST entrepreneurs.
3. In case MSE vendor participating in the tender quotes within the price band of L1 + 15%, they will be allowed to supply the portion of the requirement subject to acceptance of L1 price by MSE vendor. In case of more than one such MSE, the supply shall be shared proportionately.
4. MSE suppliers can avail the intended benefits only if they submit along with offer, attested copies of either EM II certificate having deemed validity (five years from the date of issue of acknowledgement in EM II) or valid NSIC certificate or EM II certificate along with CA certificate (Format enclosed) applicable for the year, certifying quantum of investment in plant and machinery within the permissible limit as per the act for relevant status (Micro or small) where the deemed validity of EM IIs over. Date to be reckoned for determining the deemed validity will be the last date of technical bid submission. Non submission of such documents will lead to consideration of their bids at par with other bidders and MSE status of such suppliers shall be shifted to Non MSE supplier till the supplier submits these documents.

**Certificate by Chartered Accountant**

This is to Certify that M/S .....  
 (hereinafter referred to as 'company') having its registered office at  
 ..... is registered under MSMED Act 2006, (Entrepreneur  
 Memorandum No (Part-II).....dtd:.....  
 Category: ..... (Micro/Small). (Copy enclosed).  
 Further verified from the Books of Accounts that the investment of the company as on  
 date ..... as per MSMED Act 2006 is as follows:

1. For Manufacturing Enterprises: Investment in plant and machinery (i.e. original cost excluding land and building and the items specified by the Ministry of Small Scale Industries vide its notification No.5.0.1722(E) dated October 5, 2006:  
 Rs. .... Lacs
2. For Service Enterprises: Investment in equipment (original cost excluding land and building and furniture, fittings and other items not directly related to the services rendered or as may be notified under the MSME Act, 2006:  
 Rs. .... Lacs

The above investment of Rs ..... Lacs is within permissible limit of  
 Rs ..... Lacs for ..... Micro / Small (Strike off which is not applicable)  
 category under MSMED Act 2006.

Date:

(Signature)

Name -

Membership number -

Seal of Chartered Accountant