

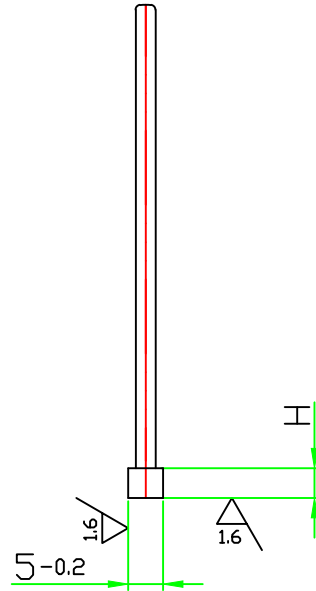
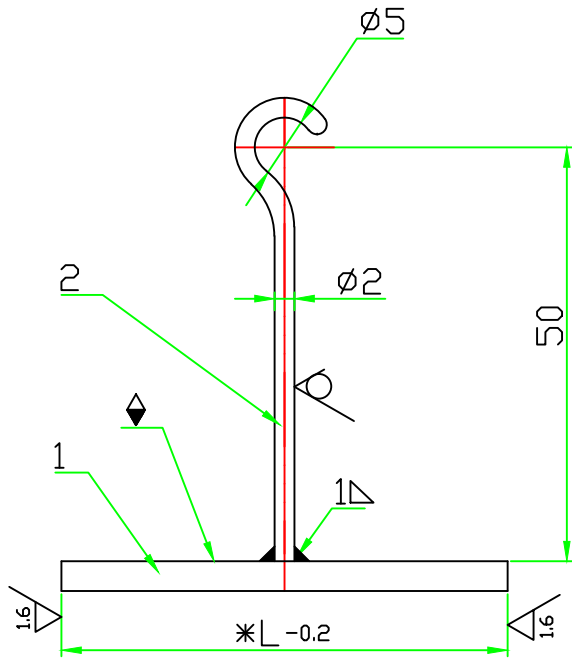
COPYRIGHT AND CONFIDENTIAL
THE INFORMATION ON THIS DOCUMENT IS THE PROPERTY OF BHARAT
HEAVY ELECTRICALS LIMITED IT MUST NOT BE USED DIRECTLY
OR INDIRECTLY IN ANY WAY DETRIMENTAL TO THE INTEREST OF COMPANY.

FIRST ANGLE PROJECTION

(ALL DIMENSIONS ARE IN mm)

FORM DG38(B)

DRAWING No.
R0850-0642/003-004



SL. NO.	DRG. NO.	H	*L	Wt	VAR	COMP. DRG.
1	R0850-0642/003	5	58	0.01	01	21352101044
2	R0850-0642/004	5	95	0.01	02	21352101046

◆ MARK
*L=
R0850-0642

VAR.00	REMARKS	ITEM No.	DESCRIPTION	STD	DRAWING No.	MATERIAL CODE	A	UNIT	UNIT WEIGHT	QTY.
		2	HOOK	-		MS.WIRE ø2 X60		-	-	1
		1	SPACER	-		Fe410WA		-	-	1 EACH
						AA10108 IS:2062				1 EACH

GMS No./GR.SP.No.		STATUS OF DRG		TYPE OF PRODUCT		COMP. DRG. No.		M/C TOOL TRANS No.		REF. DRG. No.	
AGREED DEPT.	NAME	SIGN.	DATE			DESIGN ORDER No.		MODEL No.			
GRADE OF UNTOL. DIM.:- M/CG-C/M/F AA0230208 WELDING-A/B/C/D AA0621104 GAS CUTTING-'T3' AA0621101				BHARAT HEAVY ELECTRICALS LTD. HARDWAR		DRN	V.SINGH	Sd	19.12.08	No. OF VAR.	
REV	DATE	ALTERED	REV	DATE	ALTERED	CHD	SKB	Sd	9.12.08	No. OF VAR.	
		CHECKED			CHECKED	APD					
DEPT. JTE		SCALE		WEIGHT(Kg)		REF.TO ASSY. DRG.		ITEM No. OF		No. OF	
CODE 209		N.T.S				R0850-0642		No. OF		REV	
TITLE						DRAWING No.		REV			
SPACER						R0850-0642/003-004					
SHEET No.				No. OF SHEETS							

SIZE A 3

INVENTORY No. SIGN.&DATE REF. DRG. No.