

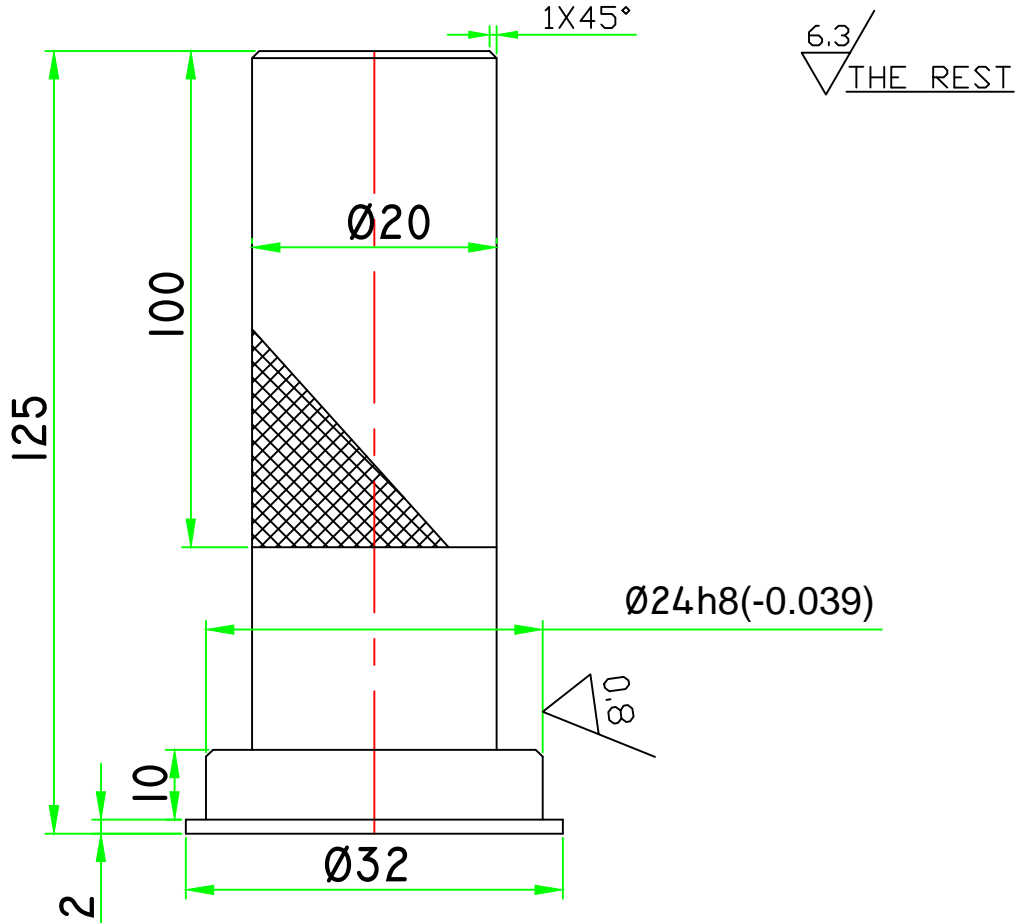
FIRST ANGLE PROJECTION

(ALL DIMENSIONS ARE IN mm) FORM DG39(B)

COPYRIGHT AND CONFIDENTIAL
 THE INFORMATION ON THIS DOCUMENT IS THE PROPERTY OF BHARAT
 HEAVY ELECTRICALS LIMITED IT MUST NOT BE USED DIRECTLY OR
 INDIRECTLY IN ANY WAY DETRIMENTAL TO THE INTEREST OF COMPANY

REV	DATE	ALTERED CHECKED	REV	DATE	ALTERED CHECKED	GMSNo./GR.SP.No.		STATUS OF DRG.	
						AGREED DEPT.	NAME	SIGN.	DATE

GRADE OF UNTOL. DIM.M/CG/C/M/F/-AA0230208 WELDING X/B/C/D AA0621104 GASCUTTING-'T3'AA0621101



1-HARDEN TO HRC 40-45 AS PER INST. NO 0912.008
 2-SHARP EDGES TO BE ROUNDED OFF.

					40Cr1/En24		
					HW10571/AA10501		
REMARKS	ITEM No.	DESCRIPTION	STD	VAR	MATERIAL CODE	A	UNIT WEIGHT
					MATERIAL SPECN	C	

BHARAT HEAVY ELECTRICALS LTD. HARDWAR	NAME	SIGN	DATE	No. OF VAR
	DRN V.SINGH	Sd	12.1.08	
	CHD SKB	Sd	12.1.08	
	APD			

DEPT JTE		SCALE	WEIGHT(Kg)	REF. TO ASSY. DRG.	ITEM No.	No. OF ITEM
CODE 209		NTS	-	R0850-0644		
TITLE				DRAWING No.	REV	
GUIDE PIN				R0850-0644/002		
SHEET No.			No. OF SHEETS			

SIZE A4