

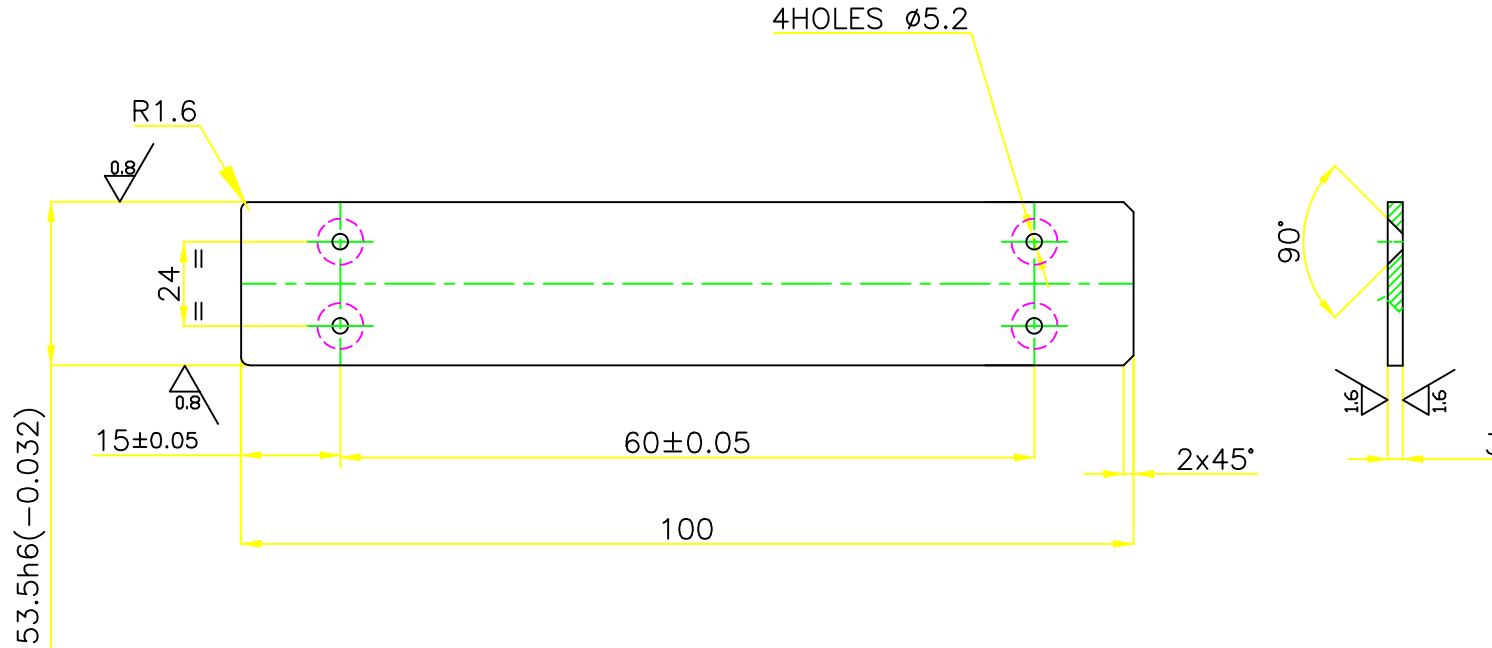
COPYRIGHT AND CONFIDENTIAL
THE INFORMATION ON THIS DOCUMENT IS THE PROPERTY OF BHARAT
HEAVY ELECTRICALS LIMITED. IT MUST NOT BE USED DIRECTLY
OR INDIRECTLY IN ANY WAY DETRIMENTAL TO THE INTEREST OF COMPANY.

FIRST ANGLE PROJECTION

(ALL DIMENSIONS ARE IN mm)

FORM DG38(B)

DRAWING No.
R0850-0645/002



- 1- HARDEN TO HRC. 50-55 AS PER INST. NO. 0912-008
- 2- SHARP EDGES TO BE ROUNDED OFF.

		XT215Cr12		
		AA10822 IS:3748		
DRAWING No.		MATERIAL CODE	A	UNIT WEIGHT
	VAR.	MATERIAL SPECN.	C	UNIT QTY.

GMS No./GR.SP.No.		STATUS OF DRG.		TYPE OF PRODUCT		COMP. DRG. No.		M/C TOOL TRANS No.		REF. DRG. No.	
AGREED DEPT.	NAME	SIGN.	DATE			DESIGN ORDER No.		MODEL No.			
				BHARAT HEAVY ELECTRICALS LTD.		DRN	RBS	Sd/-			No. OF VAR.
				HARDWAR		CHD	SKB	Sd/-			
						APD					
REV	DATE	ALTERED CHECKED	REV	DATE	ALTERED CHECKED	DEPT. JTE	SCALE NTS	WEIGHT(Kg) 0.2	REF. TO ASSY. DRG. R0850-0645		ITEM No. OF ITEMS
						TITLE	GUIDE PLATE			DRAWING No. R0850-0645/002	REV.
								SHEET No.		No. OF SHEETS	