

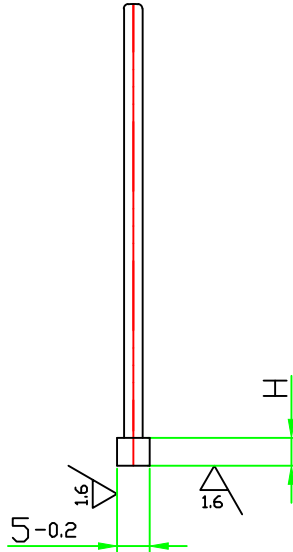
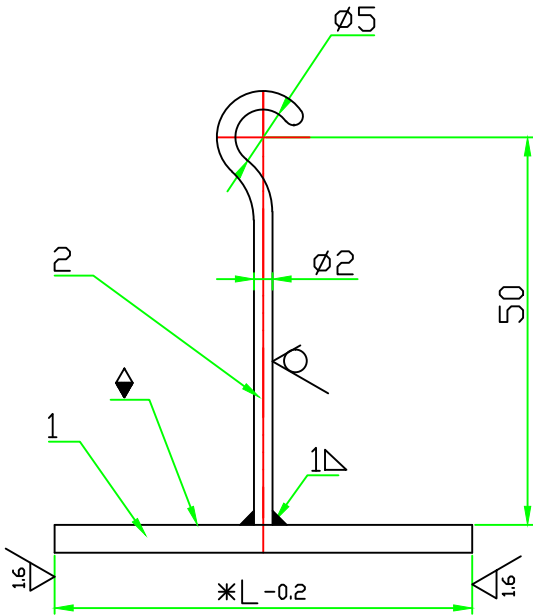
COPYRIGHT AND CONFIDENTIAL  
 THE INFORMATION ON THIS DOCUMENT IS THE PROPERTY OF BHARAT  
 HEAVY ELECTRICALS LIMITED IT MUST NOT BE USED DIRECTLY  
 OR INDIRECTLY IN ANY WAY DETRIMENTAL TO THE INTEREST OF COMPANY.

FIRST ANGLE PROJECTION

(ALL DIMENSIONS ARE IN mm)

FORM DG38(B)

DRAWING No.  
 R0850-0649/003-004



Sl No.	DRG. NO.	H	*L	Wt	VAR	COMP. DRG.
1	R0850-0649/003	5	58	0.01	01	21352101045
2	R0850-0649/004	5	95	0.01	02	21352101047

◆ MARK  
 \*L=  
 R0850-0649

VAR.00	REMARKS	ITEM No.	DESCRIPTION	STD	DRAWING No.	MATERIAL CODE	MATERIAL SPECN.	UNIT	UNIT WEIGHT	QTY.
		2	HOOK	-		MS.WIREØ2 X60		-	1	
		1	SPACER	-		Fe410WA	AA10108 IS:2062	1 EACH		

INVENTORY No. SIGN.&DATE REF. DRG. No.

GMS No./GR.SP.No.			STATUS OF DRG.		TYPE OF PRODUCT		COMP. DRG. No.		M/C TOOL TRANS No.		REF. DRG. No.	
AGREED DEPT.	NAME	SIGN.	DATE				DESIGN ORDER No.	MODEL No.				
GRADE OF UNTOL. DIM.:-												
M/CG-C/M/F AA0230208												
WELDING-A/B/C/D AA0621104												
GAS CUTTING-'T3' AA0621101												
REV	DATE	ALTERED	REV	DATE	ALTERED	DEPT. JTE	SCALE	WEIGHT(Kg)	REF.TO ASSY. DRG.	ITEM No.	No. OF	
		CHECKED			CHECKED	209	N.T.S		R0850-0649	No	VAR.	
TITLE							DRAWING No.		REV			
SPACER							R0850-0649/003-004					
SHEET No.								No. OF SHEETS				

SIZE A 3