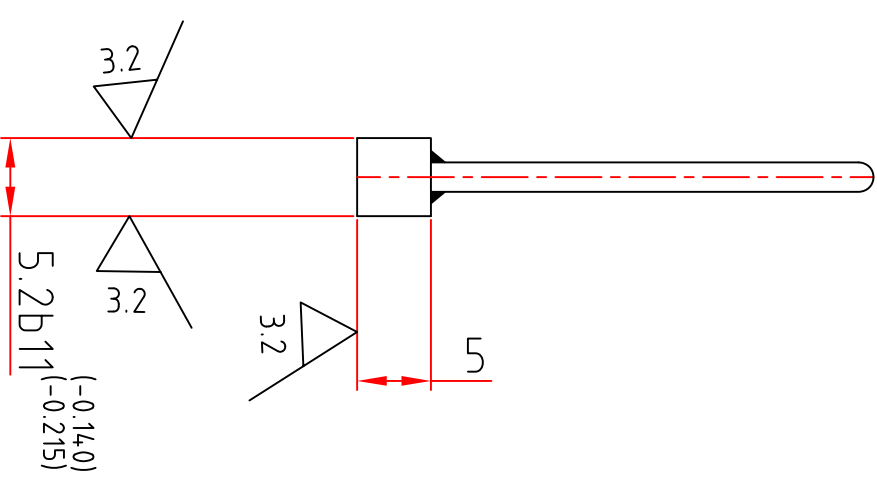
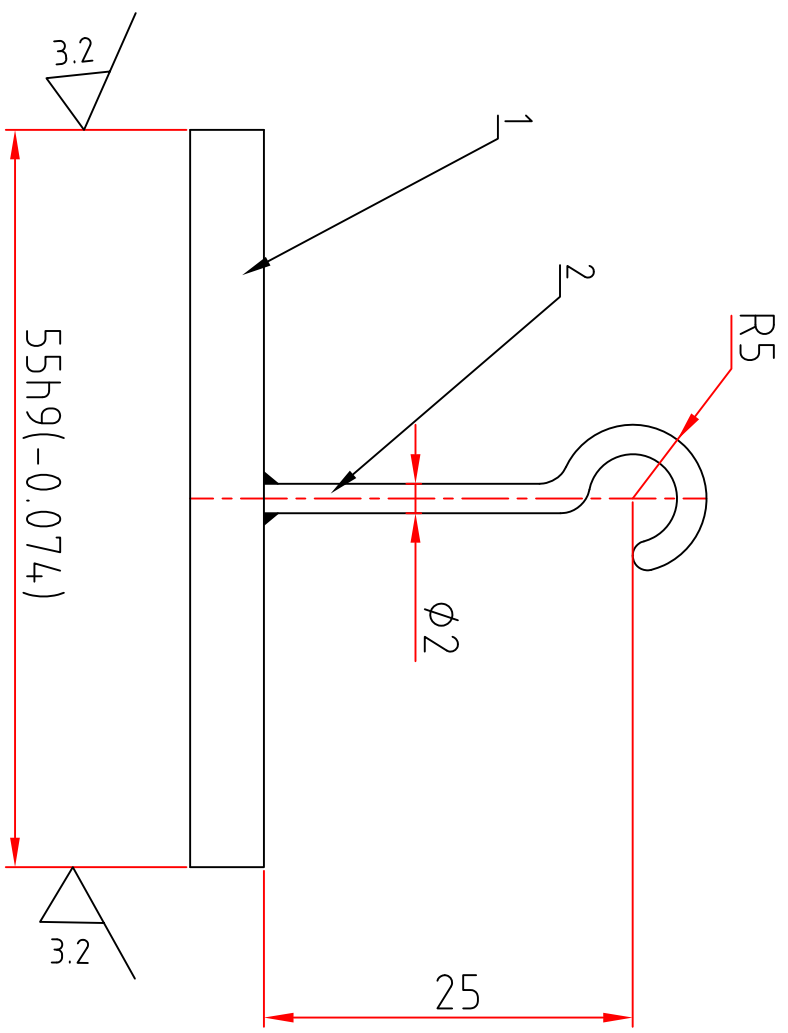


£00/7990-0580R  
 DRAWING No. GN1WYRD



6.3  
 THE REST

DEV. LENGTH OF ITEM NO. 2 = 42  
 ROUND OFF SHARP EDGES

ITEM No.	DESCRIPTION	DRAWING No.	VAR.	MATERIAL SPECN.	UNIT WEIGHT	QTY.
2	HOOK	ROD $\phi 2 \times 42$		C-20		1
1	PLATE	55h9x5x5.2		IS:1570-61 Fe410 WA AA10108 IS:2062		1

INVENTORY No. SIGN.&DATE REF. DRG. No.

GMS No./GR.SP.No.		STATUS OF DRG		TYPE OF PRODUCT		COMP. DRG. No.		M/C TOOL TRANS No.		REF. DRG. No.	
AGREED DEPT.	NAME	SIGN.	DATE	DESIGN ORDER No.		MODEL No.					
GRADE OF UNTOL. DIM:--				BHARAT HEAVY ELECTRICALS LTD. HARDWAR							
M/CG- $\phi$ /M/Y AA0230208											
WELDING-A/B/C/D AA0621104				DEPT. JTE CODE 209							
GAS CUTTING-'T3' AA0621101				SCALE N.T.S WEIGHT(Kg) 0.4							
REV DATE	ALTERED	CHECKED		REV DATE	ALTERED	CHECKED		REF. TO ASSY. DRG.		ITEM No. OF No. OF VAR.	
								R0850-0664		20.06.13	
				TITLE		SPACER		DRAWING No.		REV.	
								R0850-0664/003			
								SHEET No.		No. OF SHEETS	
										SIZE A 3	