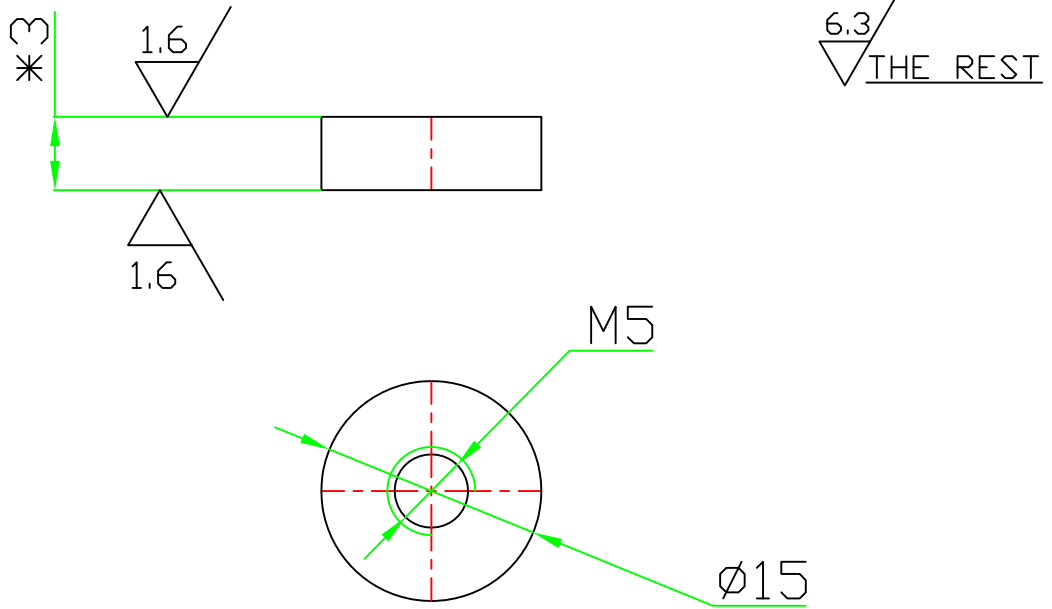


FIRST ANGLE PROJECTION

(ALL DIMENSIONS ARE IN mm) FORM DG39(B)

REV	DATE	ALTERED CHECKED	REV	DATE	ALTERED CHECKED	GMSNo./GR.SP.No.		STATUS OF DRG.	
						AGREED DEPT.	NAME	SIGN.	DATE
GRADE OF UNTOL. DIM.M/CG/C/M/X/-AA0230208					WELDING A/B/C/D AA0621104		GASCUTTING-T3AA0621101		

COPYRIGHT AND CONFIDENTIAL
 THE INFORMATION ON THIS DOCUMENT IS THE PROPERTY OF BHARAT
 HEAVY ELECTRICALS LIMITED IT MUST NOT BE USED DIRECTLY OR
 INDIRECTLY IN ANY WAY DETRIMENTAL TO THE INTEREST OF COMPANY



- 1- SHARP EDGES TO BE ROUNDED OFF.
- *2- ALL PACKINGS TO BE MADE IN SINGLE SETTING.

INVENTORY No	DEPT	JTE	SCALE NTS	WEIGHT(Kg)	REF. TO ASSY. DRG.		ITEM No.	No. OF ITEM
	CODE	209			R0850-0664			
SIGN & DATE	BHARAT HEAVY ELECTRICALS LTD.			NAME	SIGN	DATE	No. OF VAR	
	HARDWAR			DRN	BRIJESH	Sd		20.06.13
REF.DRG.No.	-			CHD	P.K.GUPTA	Sd	20.06.13	
	-			APD				
REMARKS		ITEM No.	DESCRIPTION	SID	VAR	MATERIAL CODE	A	UNIT WEIGHT
						MATERIAL SPECN	C	
						Fe410 WA		-
						AA10108 IS:2062		
TITLE		PACKING			DRAWING No.		REV	
					R0850-0664/005			
					SHEET No.		No. OF SHEETS	
							SIZE A4	