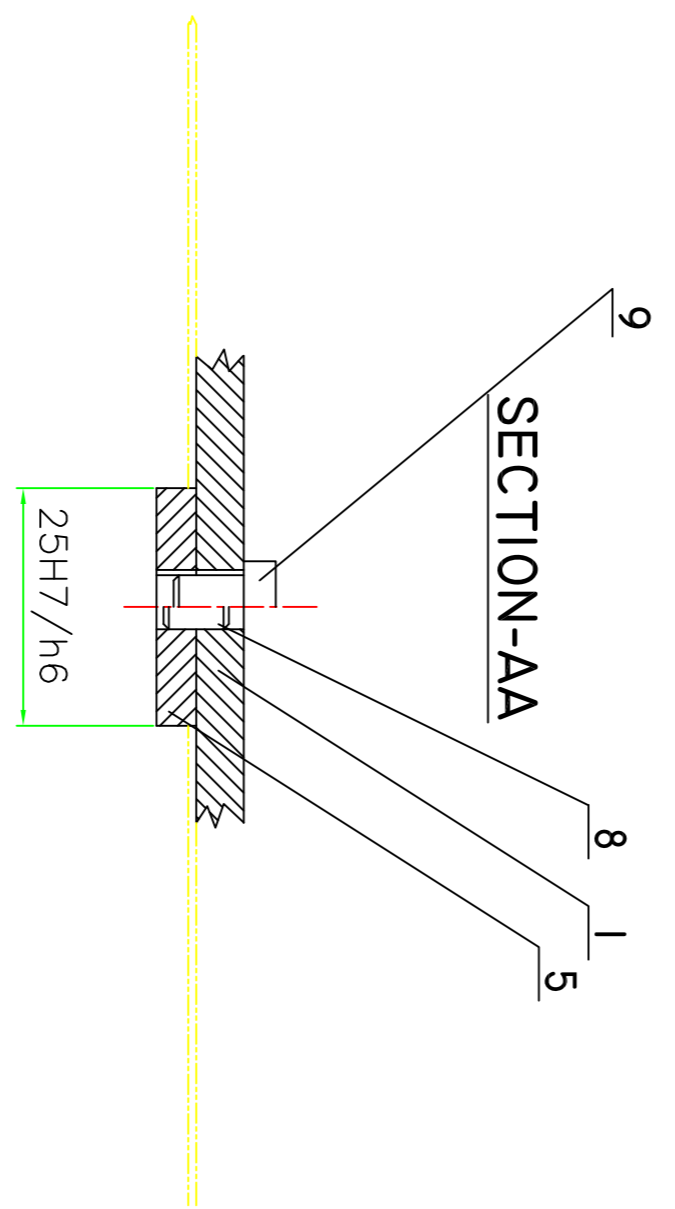
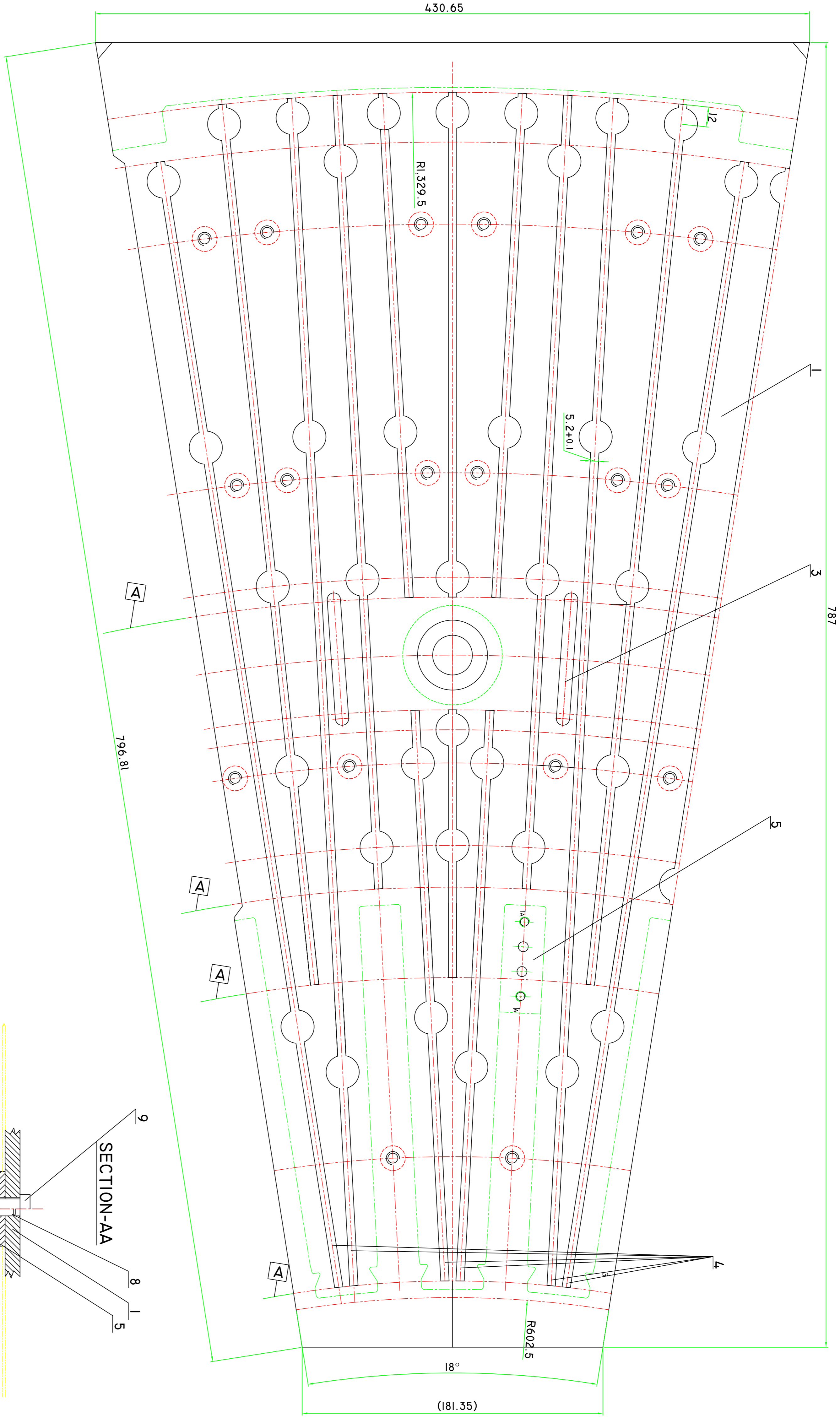
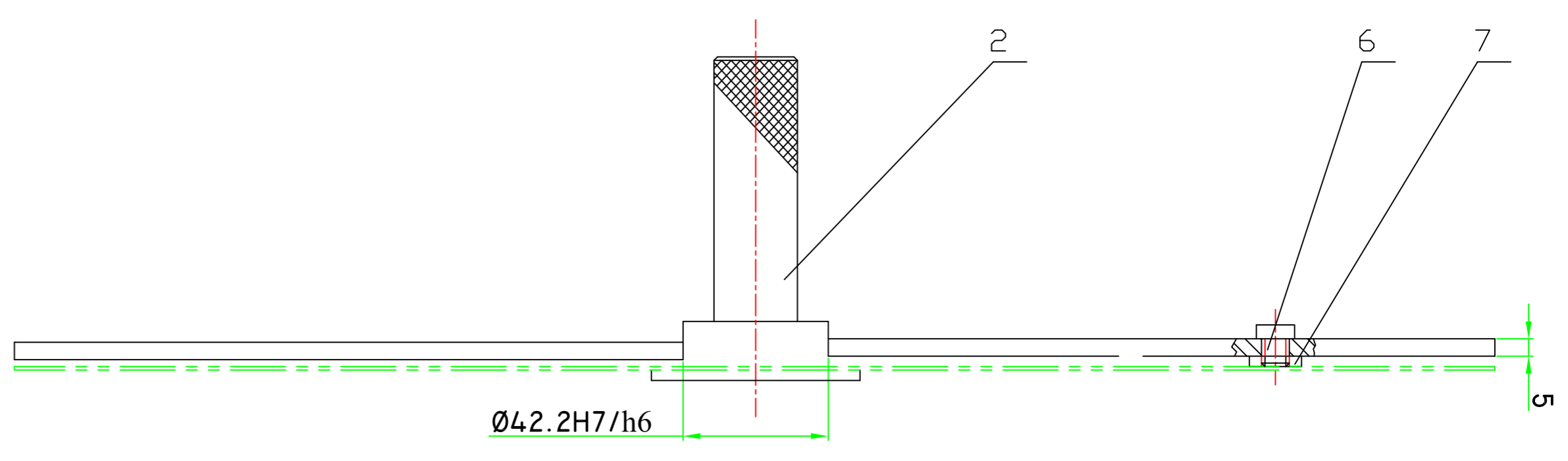


COPYRIGHT AND CONFIDENTIAL
 THE INFORMATION ON THIS DOCUMENT IS THE PROPERTY OF BHARAT HEAVY ELECTRICALS LIMITED IT MUST NOT BE USED DIRECTLY OR INDIRECTLY IN ANYWAY DETRIMENTAL TO THE INTEREST OF THE COMPANY.



USE SPACER R0850-0664/003 FOR VAR.04 OF COMPONENT
 DO NOT USE SPACER ITEM-4 FOR VAR 00 OF COMPONENT

1-FOR WELDING OF SPACERS USE SURFACES MARKED 'A'
 AS REFERENCE
 2-FIXTURE TO BE ACCEPTED AFTER TRIAL ONLY
 3-FIXTURE TO BE CONSERVED AS PER TL-30007

MARK
 DRG. No.
 TYPE OF PROD.
 COMP DRG.No.

ITEM No.	DESCRIPTION	QTY	UNIT	WGT (kg)	REMARKS
9	SCREW CAP SOC F	10	PCS	0.003	
8	MAXI-STEEL END BUSHING ST	10	PCS	0.003	
7	PACKING	10	PCS	0.02	
6	CAP SCREW	10	PCS	0.18	
5	GUIDE PLATE	1	PCS	0.05	
4	SPACER	1	PCS	1	
3	HANDLE	1	PCS	0.07	
2	GUIDE PIN	2	PCS	0.2	
1	TEMPLATE	1	PCS	3.7	

REV	DATE	CHKD	APPD	DESCRIPTION
01	10/01/20			ISSUED FOR PRODUCTION
02	10/01/20			REVISED
03	10/01/20			REVISED
04	10/01/20			REVISED
05	10/01/20			REVISED
06	10/01/20			REVISED
07	10/01/20			REVISED
08	10/01/20			REVISED
09	10/01/20			REVISED
10	10/01/20			REVISED
11	10/01/20			REVISED
12	10/01/20			REVISED
13	10/01/20			REVISED
14	10/01/20			REVISED
15	10/01/20			REVISED
16	10/01/20			REVISED