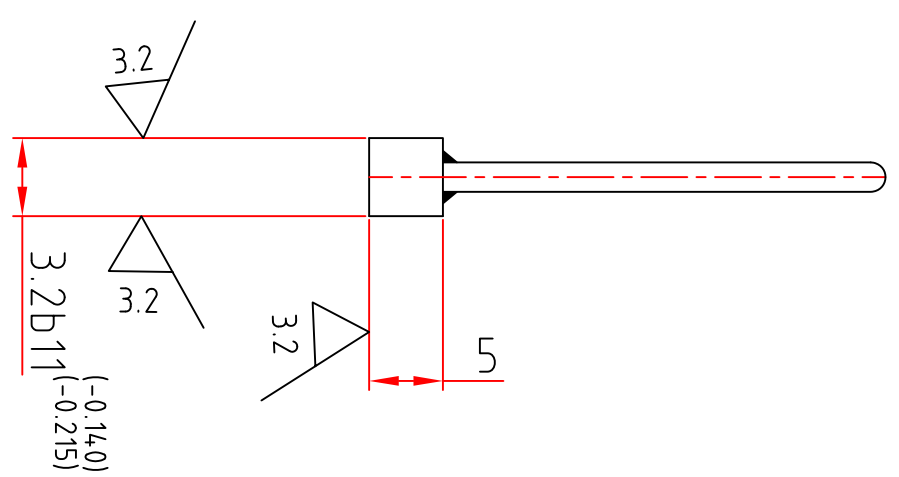
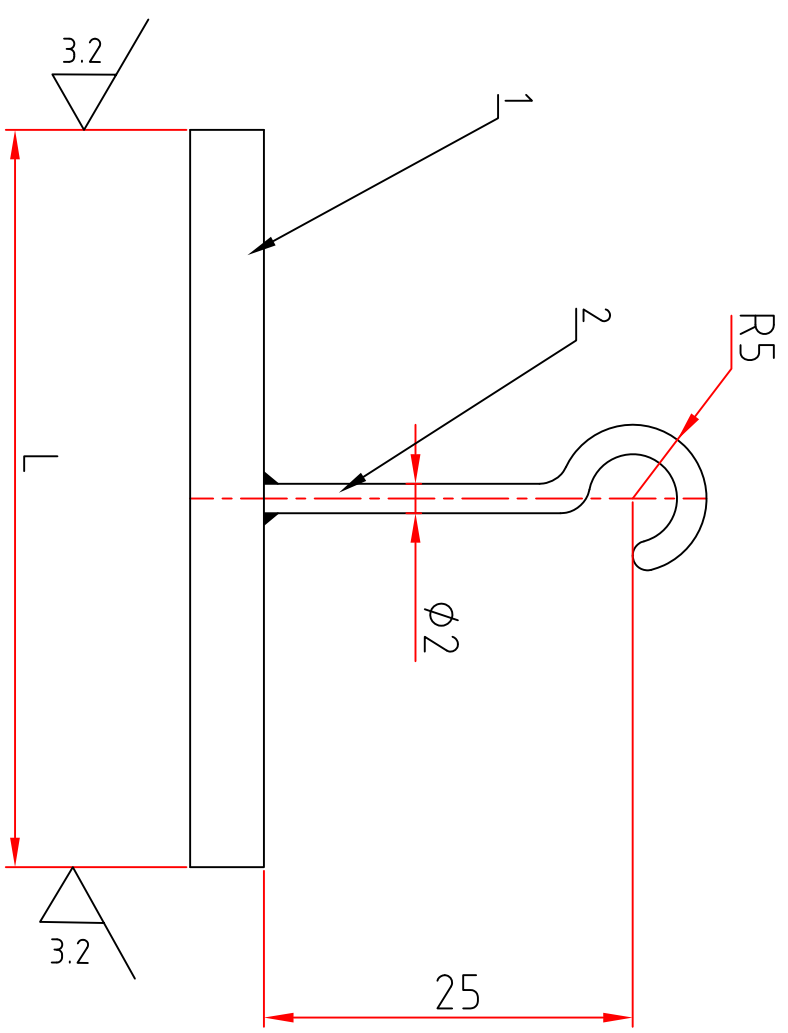


7008E00/5990-0580R
 DRAWING No.



SL. NO.	DRAWING NO.	L H9	COMP. VAR. NO.
1	R0850-0665/003	5 (-0.030)	02
2	R0850-0665/004	23.5 (-0.052)	03

6.3
 THE REST

MARK
 VALUE OF 'L'

DEV. LENGTH OF ITEM NO. 2 = 42
 ROUND OFF SHARP EDGES

ITEM No.	DESCRIPTION	DRAWING No.	VAR.	MATERIAL CODE	A	B	C	UNIT WEIGHT	QTY.
2	HOOK	R0D φ2X42		C-20				1	
1	PLATE	LX5X3.2		IS:1570-61 Fe410 WA AA10108 IS:2062				1	

INVENTORY No. SIGN.&DATE REF. DRG. No.

GMS No./GR.SP.No.		STATUS OF DRG		TYPE OF PRODUCT		COMP. DRG. No.		M/C TOOL TRANS No.		REF. DRG. No.		
AGREED DEPT.	NAME	SIGN.	DATE	DESIGN ORDER No.		MODEL No.		NAME		SIGN.	DATE	
GRADE OF UNTOL. DIM:--				BHARAT HEAVY ELECTRICALS LTD. HARDWAR								
M/CG-φ/M/φ AA0230208				BHEL								
WELDING-A/B/C/D AA0621104				SCALE N.T.S								
GAS CUTTING-'T3' AA0621101				WEIGHT(Kg) 0.4								
REV	DATE	ALTERED	CHECKED	DEPT. JTE	CODE	209	SCALE	N.T.S	WEIGHT(Kg)	0.4	REF.TO ASSY. DRG.	R0850-0665
REV	DATE	ALTERED	CHECKED	TITLE		SPACER		DRAWING No.		R0850-0665/003&004		
				SHEET No.		No. OF SHEETS		SIZE A 3				