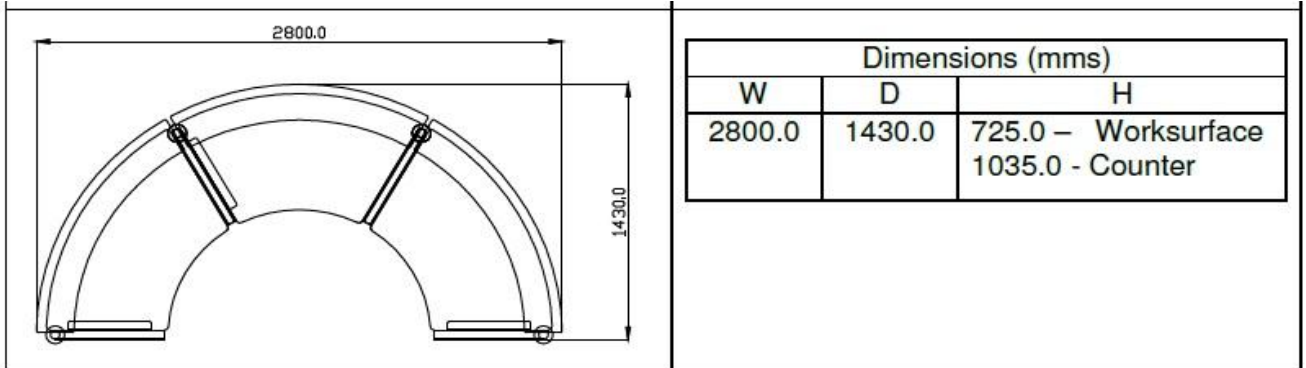


TECHNICAL SPECIFICATIONS FOR RECEPTION TABLE FOR ED OFFICE



SPECIFICATIONS :

#	Elements	Specifications
Desk	Rubber Wood Top	Clean matt PU finish 18mm thick Inside radius - 700.0 mm Outside radius – 1350.0 mm Depth – 650 mm
	Cork	Rubberized cork – 18mm thick
	Glass	Frosted Glass 10mm thick Diamond cut finishing on edges Inside Radius – 1202.5mm Outside radius – 1402.5mm Depth – 200mm *Note: Angle sustained within arc surface is 60 deg.
Understructure	Modesty Panel	MS Perforated sheet Below Worksurface : 0.8 mm (thick) x 665.0 mm (height) x 1345.0 mm (flat length) Above Worksurface : 0.8mm (Thick) x 260 mm (height) x 1345.0 mm (flat length)
	Legs	MS tube 1.6 mm thick Diameter 50.8 mm Height 604 mm

Vendor shall confirm to the above specifications by putting signature and seal on this Paper.