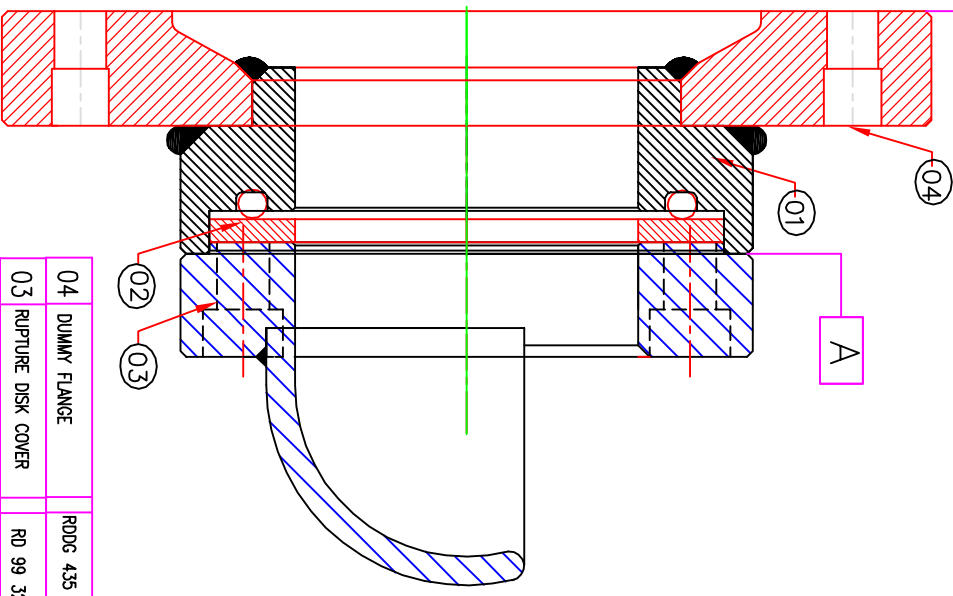
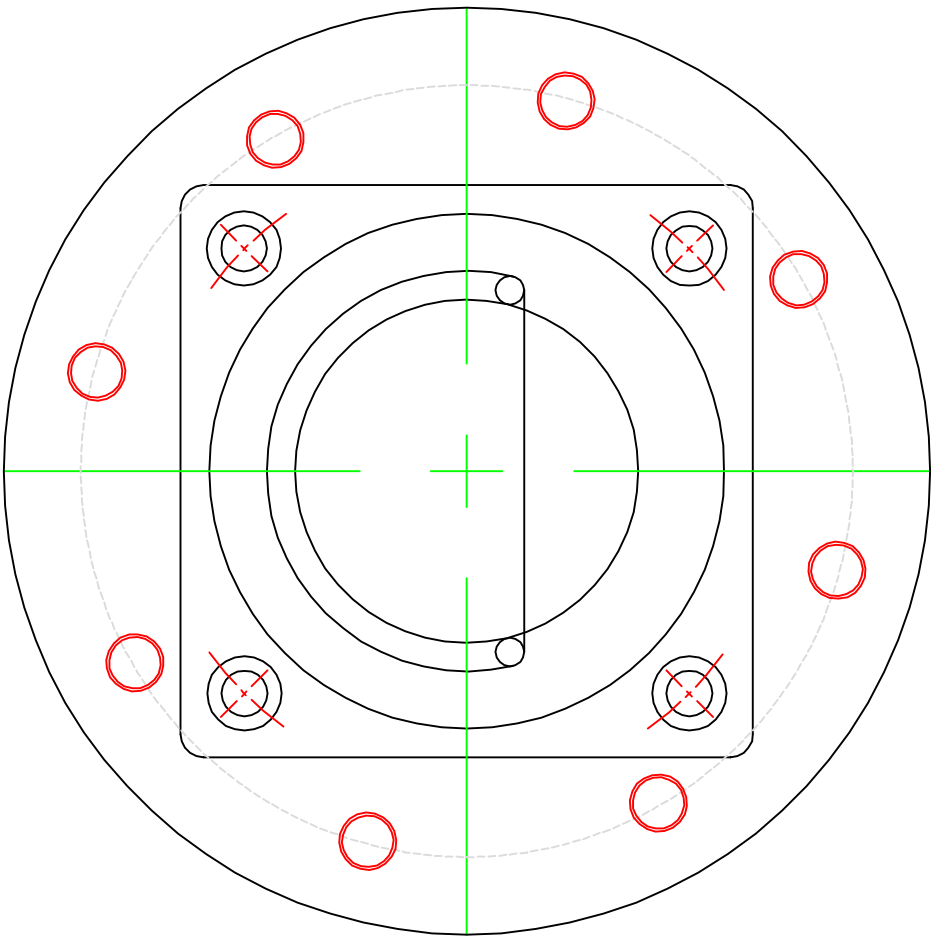


0.1 / A

(ALL DIMENSIONS ARE IN MM)

(~1.6)



Note:

1. FLANGE TO BE TIG / MIG WELDING WITH SUITABLE SS ELECTRODE

ITEM NO.	DESCRIPTION	IS	DRAWING NO.	ITM.NO.	MATL. CODE	MATL. SPECN.	A	C	UNIT WRT.	QTY.	SS	ZONE
04	DUMMY FLANGE		RD06 435 0617 0983		SS-304				1			
03	RUPTURE DISK COVER		RD 99 320 630		SS-304				1			
02	RING		RD 99 320 620		SS-304				1			
01	FLANGE		RD 99 320 610		SS-304				1			

10/05/16

TYPE OF PRODUCT
NAME OF CUSTOMER
GSM 145

BHARAT HEAVY ELECTRICALS LTD.
 HYDERABAD

DEPT: GSM
 CODE: 35
 SCALE: NTS
 WEIGHT(KG):

DIN: IS 800
 CND: MM RAO
 APPD: HS. JANI
 REF. TO: RD 99 320 200

SIGN: _____
 DATE: 01.02.03
 NO. OF SHEETS: 2

NO. OF SHEETS: 6

REV.	DATE	ALTERED	REV.	DATE	ALTERED
		CHECKED	01	10/5/16	CHECKED

REVISED FOR CIRCULAR FLANGE

TITLE
RUPTURE DISK ASSY

CARD CODE: RD 99 320 600

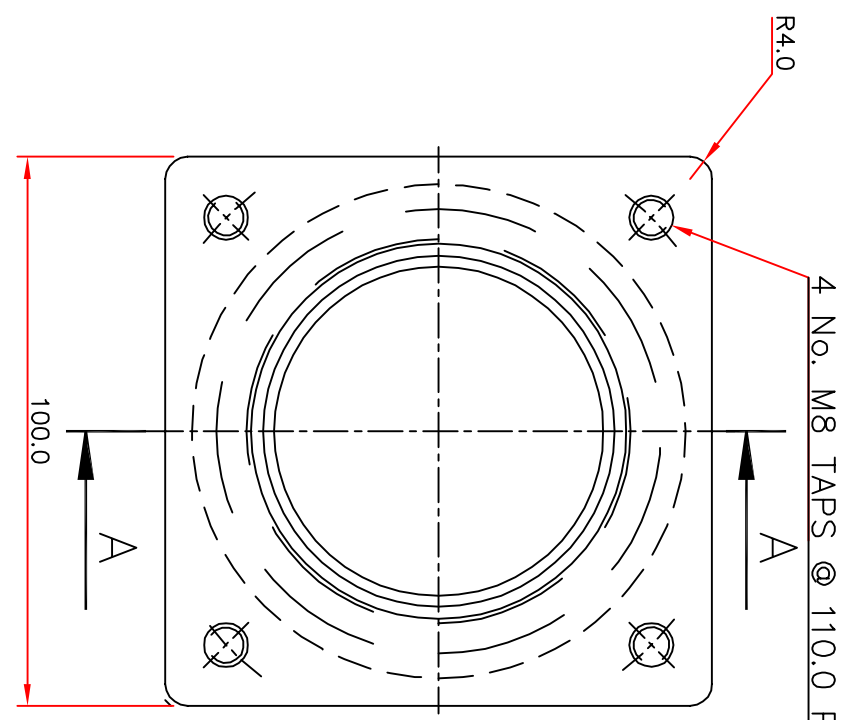
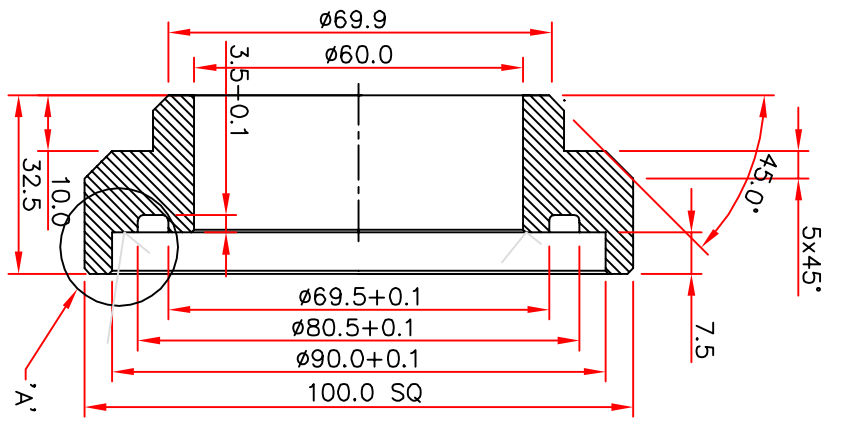
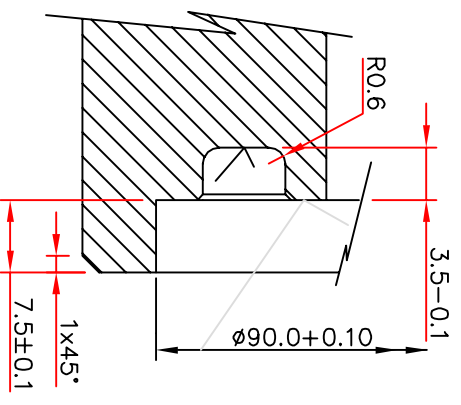
SHEET NO.: 01

THE INFORMATION ON THIS DOCUMENT IS THE PROPERTY OF BHARAT HEAVY ELECTRICALS LIMITED. IT MUST NOT BE USED DIRECTLY OR INDIRECTLY IN ANY WAY DETRIMENTAL TO THE INTEREST OF THE COMPANY.

INVENTORY NO.	SIGN. AND DATE	REF. DRG. NO.
---------------	----------------	---------------

O-RING GROOVE SURFACE SHALL BE FINISHED TO RA 0.8
 MARKED SURFACE SHALL BE FINISHED TO RA 1.6

ENLARGED VIEW 'A'

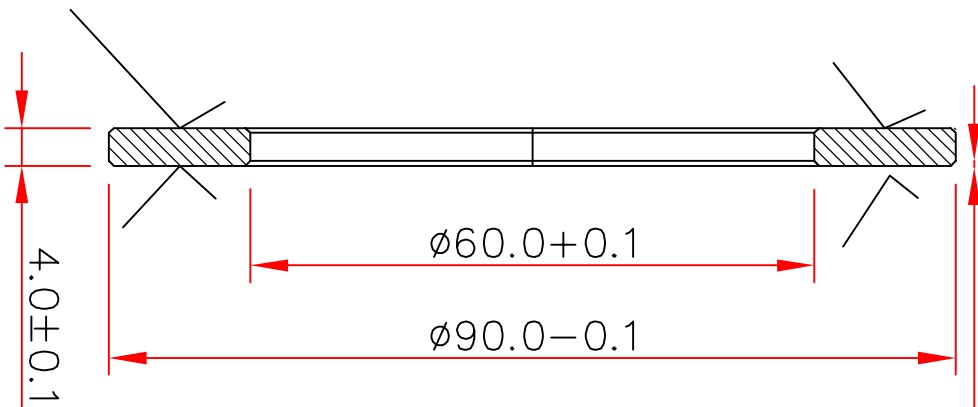
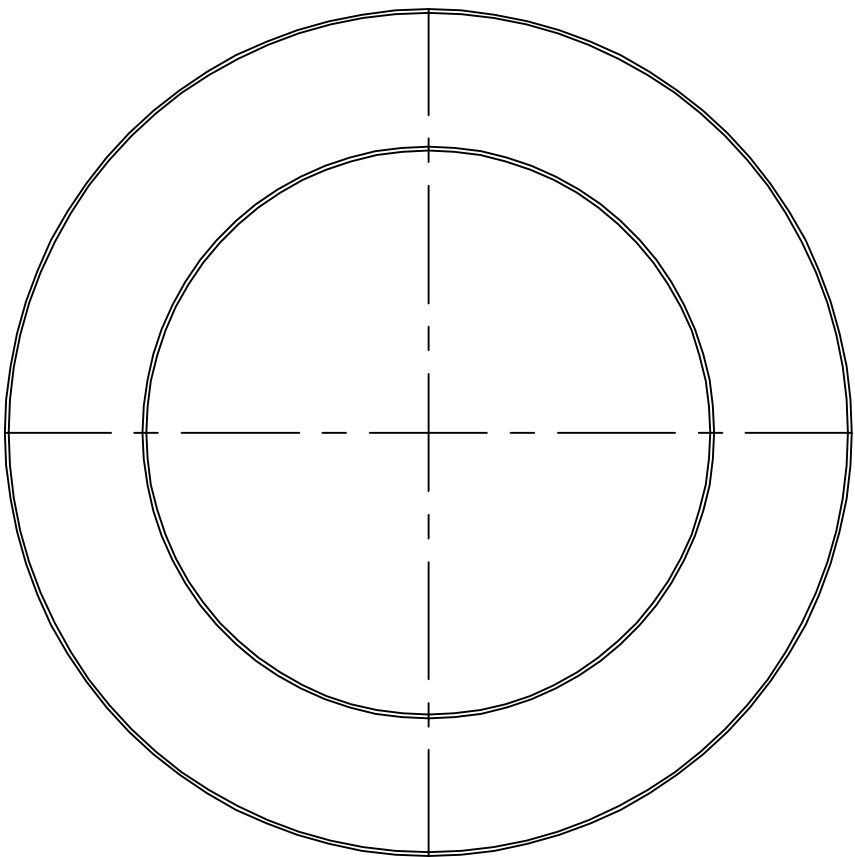


REV.	DATE	ALTERED	ZONE
		CHECKED	
REV.	DATE	ALTERED	ZONE
		CHECKED	

DEPT	SCALE	WEIGHT(KG)	DIN	NAME	SIGN.	DATE	NO. OF
GSE	NTS		KS	MM		01.02.03	VAR.
CODE 35			MM	RD		01.02.03	
			APPO	HS	JAN	01.02.03	
			REF. TO				
			RD	99	320	600	2
			DRWING NO.	RD	99	320	610
			CARD				0
			SHEET NO.				NO. OF SHEETS

TYPE OF PRODUCT	SS PLATE	105.0 SQ x 300.0	SS 304				
NAME OF CUSTOMER	BHARAT HEAVY ELECTRICALS LTD. HYDERABAD						
TITLE	FLANGE						
VAR. NO.	01	DESCRIPTION	SS	DRAWING NO.		UNIT WGT.	
REMARKS						QTY.	
VAR. NO.							

REV.	DATE	ALTERED	ZONE
		CHECKED	
		CHECKED	



MARKED SURFACE SHALL BE FINISHED TO RA 0.8
ALL SHARP EDGES SHALL BE MACHINED TO 0.4x45°.

THE INFORMATION ON THIS DOCUMENT IS THE PROPERTY OF BHARAT HEAVY ELECTRICALS LIMITED.
IT MUST NOT BE USED DIRECTLY OR INDIRECTLY IN ANY WAY DETRIMENTAL TO THE INTEREST OF THE COMPANY.

INVENTORY NO. | SIGN. AND DATE | REF. DRG. NO.

REV.	DATE	ALTERED	REV.	DATE	ALTERED
		CHECKED			CHECKED
ZONE			ZONE		

VAR/CD	REMARKS	VAR. NO.	ITEM NO.	DESCRIPTION	DRG. NO.	ITEM NO.	MATL. CODE	A	UNIT WGT.	ZONE
		01		SS PLATE	095.0 x 6.0		SS 304-L			

TYPE OF PRODUCT
NAME OF CUSTOMER
GSM 145



BHARAT HEAVY ELECTRICALS LTD.
HYDERABAD

DEPT.	GRADE OF	SCALE	WEIGHT(KG)	DEN.	NAME	SIGN.	DATE	NO. OF
CODE 35	GSM TOL DIM. C/M/F	NTS		KS 100	MM RAO		01.02.03	VAR.
TITLE				APPO.	HS. JAIN		01.02.03	
				REF. TO				
CARD CODE				RD 99 320 600				
				RD 99 320 600				
SHEET NO.				2				
				6				
				0				

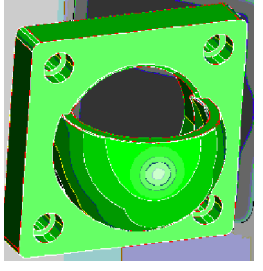
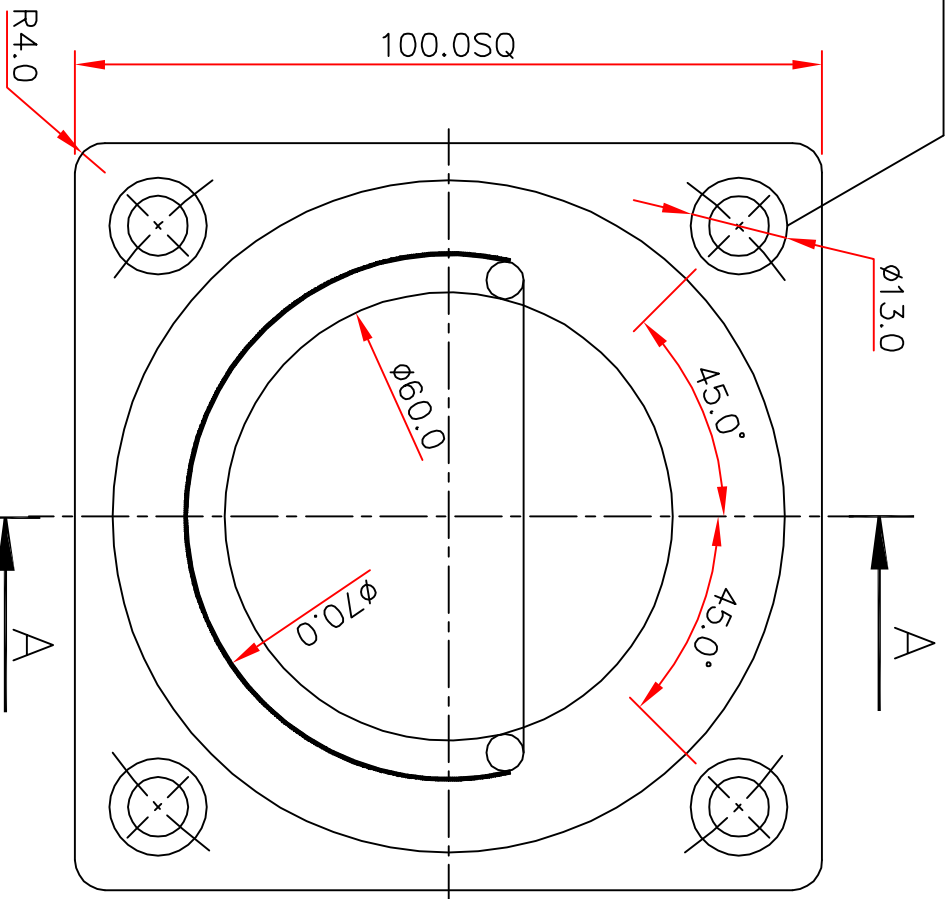
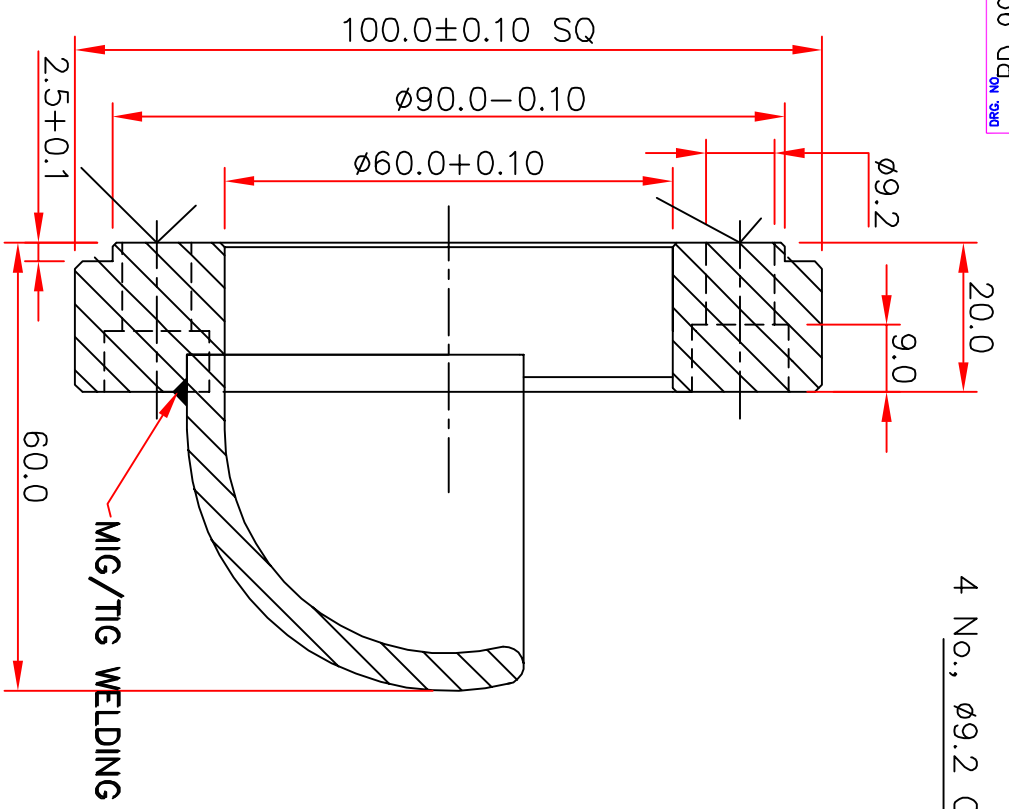
RING

RD 99 320 620

NO. OF SHEETS

4 No., $\phi 9.2$ Clear Holes With Counters @ 110.0 PCD

(~1.6)



SECTION AA

WELDING SHALL BE HOMOGENEOUS AND CONTINUOUS.
 MARKED SURFACE SHALL BE FINISHED TO RA 1.6

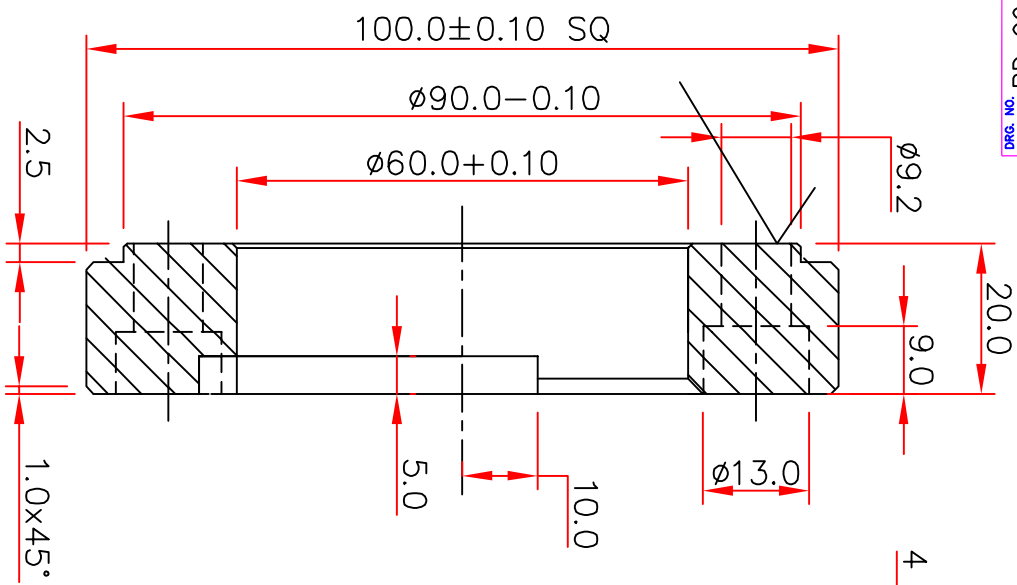
VAR/CO	REMARKS	VAR NO.	ITEM NO.	DESCRIPTION	DRG NO.	IT. NO.	MATL. CODE	MATL. SPECN.	A	UNIT	QTY.	ZONE
		02		PROTECTIVE COVER	RD 99 320 632		SS 304-L				01	
		01		FLANGE	RD 99 320 631		SS 304-L				01	

TYPE OF PRODUCT
 NAME OF CUSTOMER
GSM 145

DEPT	GSM TOL. DIM. C/M/F	SCALE	NTS	WEIGHT(KG)
CODE	35			

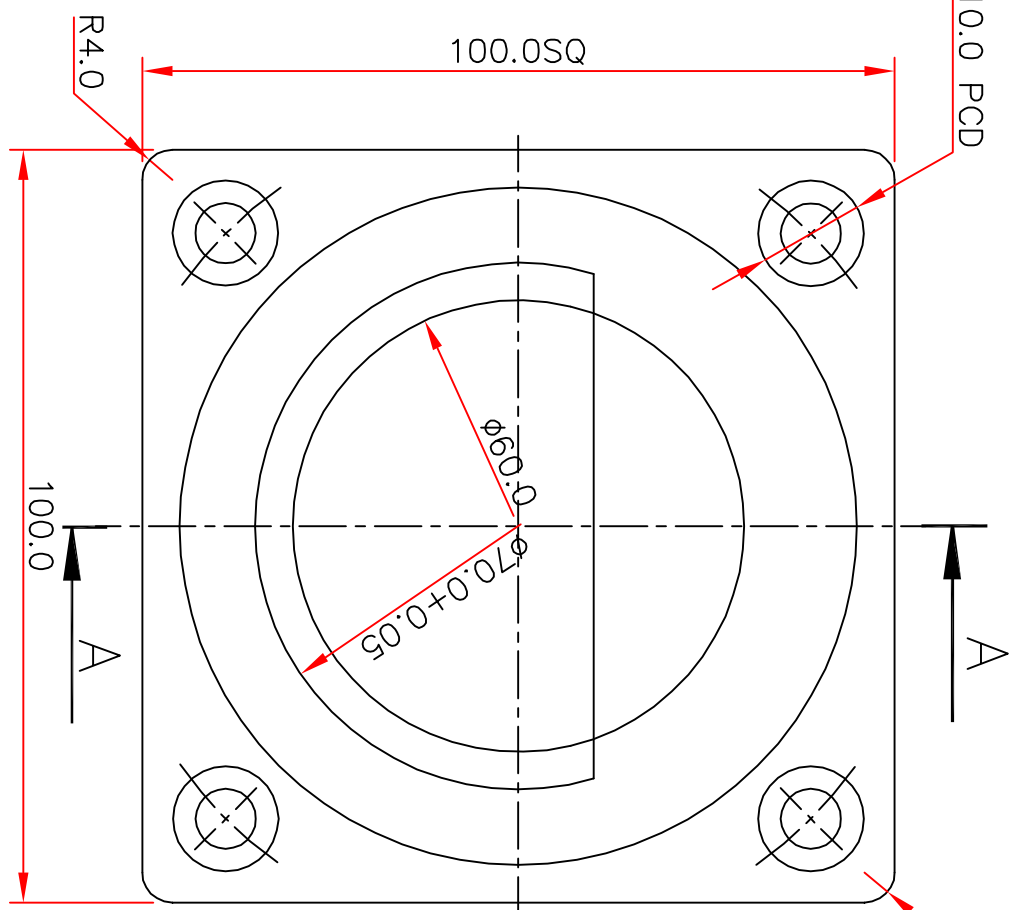
DIN	KS RAO	SIGN.		DATE	01.02.03	NO. OF	
C/O	MM RAO			APPD	01.02.03	VAR.	
APPR	HS JAIN			REV. TO			

TITLE	RUPTURE DISK COVER	CARD CODE	RD 99 320 600	NO. OF	6
NO. OF SHEETS	RD 99 320 630	NO. OF	0		



SECTION AA

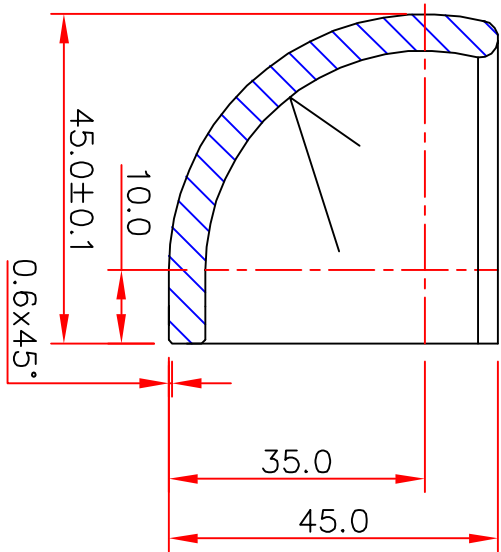
4 Holes as shown 110.0 PCD



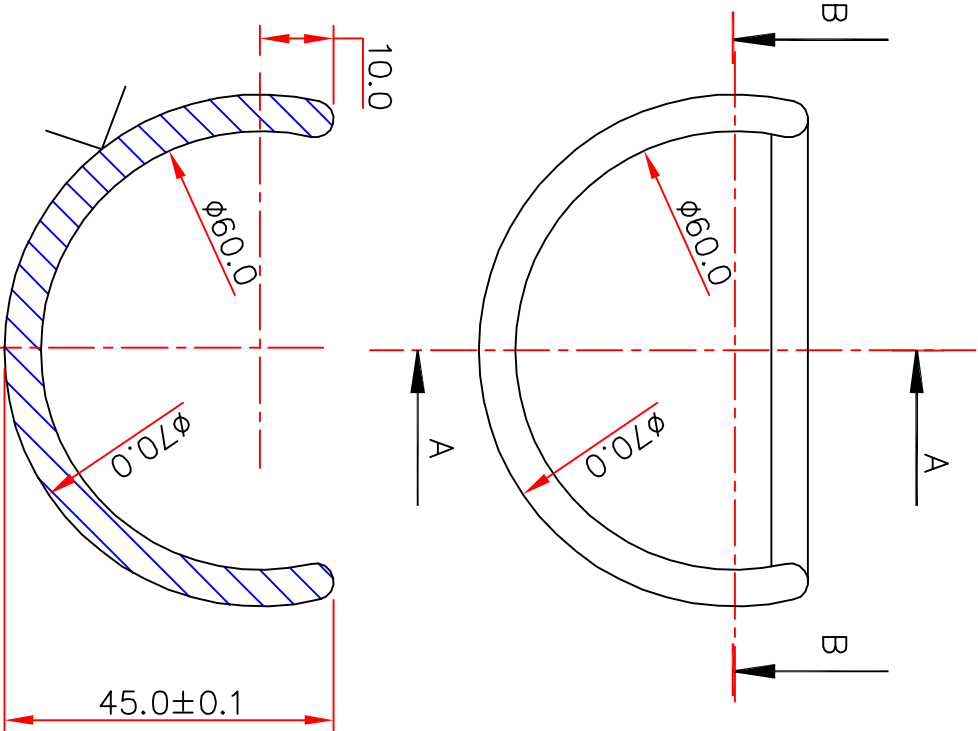
MARKED SURFACE SHALL BE FINISHED TO RA 1.6
ALL SHARP EDGES SHALL BE MACHINED TO 0.4x45°.

REV.	DATE	ALTERED	REV.	DATE	ALTERED
		CHECKED			CHECKED
ZONE			ZONE		

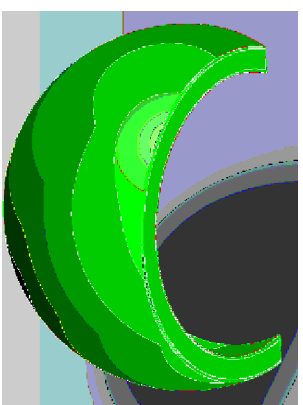
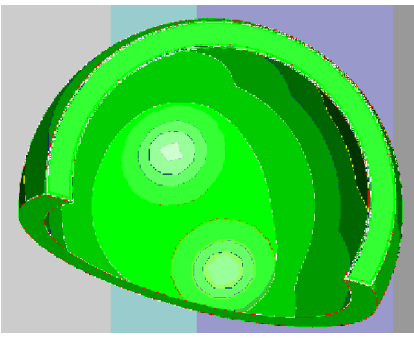
TYPE OF PRODUCT		NAME OF CUSTOMER	
GSM 145		GSM 145	
BHARAT HEAVY ELECTRICALS LTD. HYDERABAD			
DEPT	GRADE OF	SCALE	WEIGHT(KG)
35	TOL. DIM.	NTS	
COD	C/M/F		
DIN	NAME	SIGN.	DATE
KS 140	MM RD		01.02.03
APPD	MM RD	REF. TO	NO. OF
		RD 99 320 630	ITEMS
CARD	NO.	REV.	NO. OF
RD 99 320 631	2	6	SHEETS
SHEET NO.		NO. OF SHEETS	
		0	



SECTION AA



SECTION BB



SURFACE SHALL BE FINISHED TO RA1.6
 COMPONENT SHALL BE MADE USING SUITABLE PATTERN.
 ALL SHARP EDGES SHALL BE MACHINED TO 0.4x45°.

VAR. NO.	REMARKS	VAR. ITEM NO.	DESCRIPTION	DRAWING NO.	IT. NO.	MATL. CODE	A	UNIT WGT.	ZONE
01			SS PLATE		SS 304-L				

TYPE OF PRODUCT
 NAME OF CUSTOMER
GSM 145

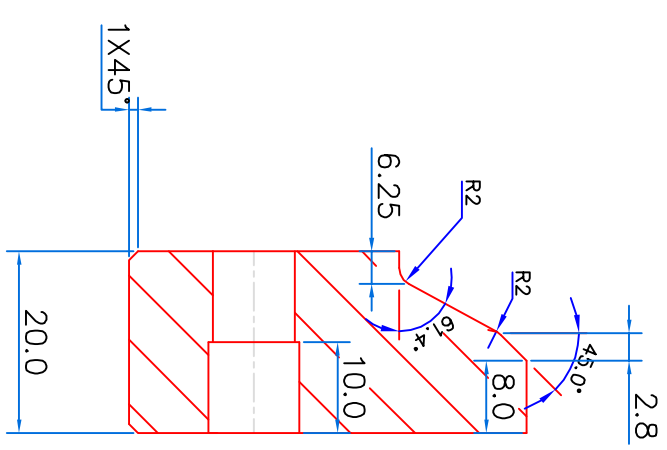
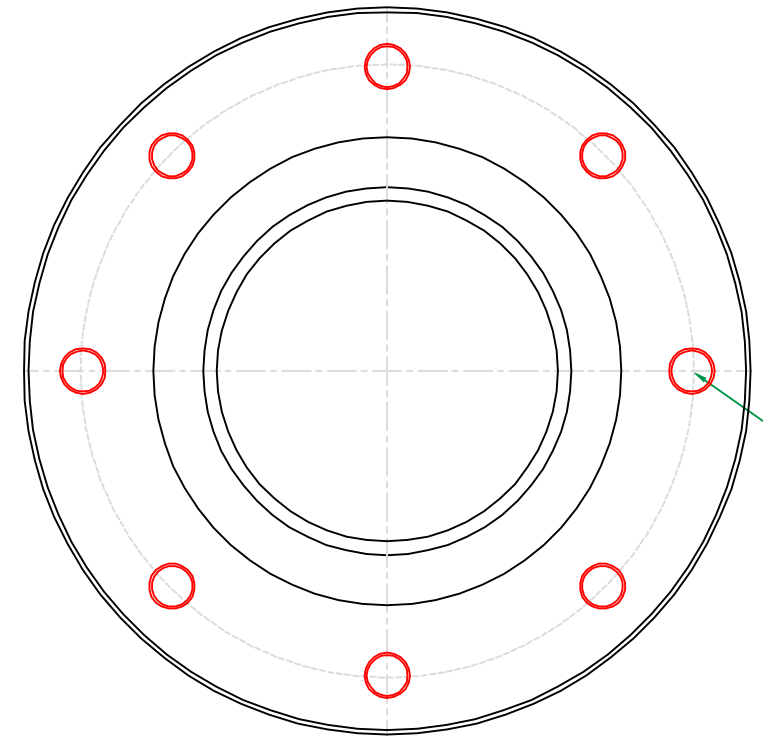
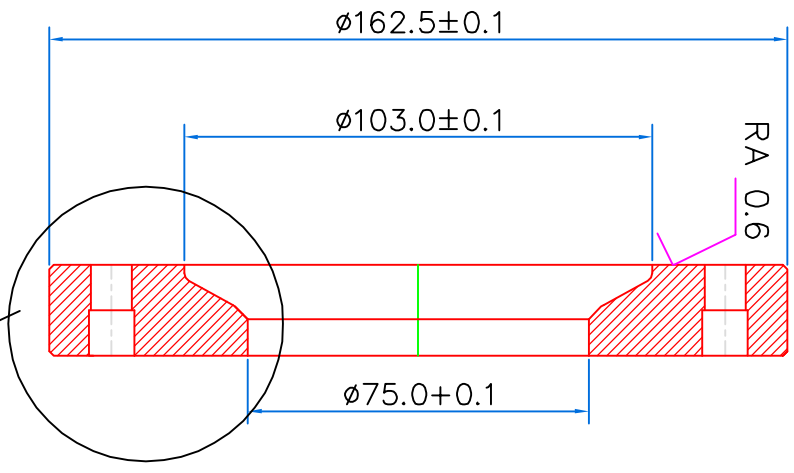
DEPT. CODE	GRADE OF TOL. DIM. C/M. F.	SCALE	WEIGHT(KG)	DIN NAME	SIGN.	DATE	NO. OF
35	GSM	NIS		IS 145		01.02.03	ITEMS

REV.	DATE	ALTERED	REV.	DATE	ALTERED	ZONE	CARD CODE	SHEET NO.	NO. OF SHEETS
		CHECKED			CHECKED		RD 99 320 632	RD 99 320 632	2
									6
									0

BHARAT HEAVY ELECTRICALS LTD.
 HYDERABAD

PROTECTIVE COVER

8 NO., HOLES WITH COUNTER FOR M8
 @135±0.07 PCD WITH 0.4X45° C/F



DETAILED A

VAR. NO.	REMARKS	VAR. NO.	ITEM NO.	DESCRIPTION	DRAWING NO.	IT. NO.	MATL. CODE	UNIT WT.
01				FLANGE-V			SS-304L	2.3 KG

TYPE OF PRODUCT	NAME OF CUSTOMER	DATE	NO. OF
GSM 420	BHARAT HEAVY ELECTRICALS LTD.	26.12.05	01

DEPT.	GRADE OF	SCALE	WEIGHT(KG)
HYDERABAD	NTS	2.5	

DRN	NAME	SIGN.	DATE
KSRRAO			26.12.05

TITLE	CARD CODE	DRAWING NO.	NO. OF SHEETS
FLANGE-V		RD DG 4 35 0617 0983	01

REV.	DATE	ALTERED	AL
01	10/08/16	CHECKED	MARRAO