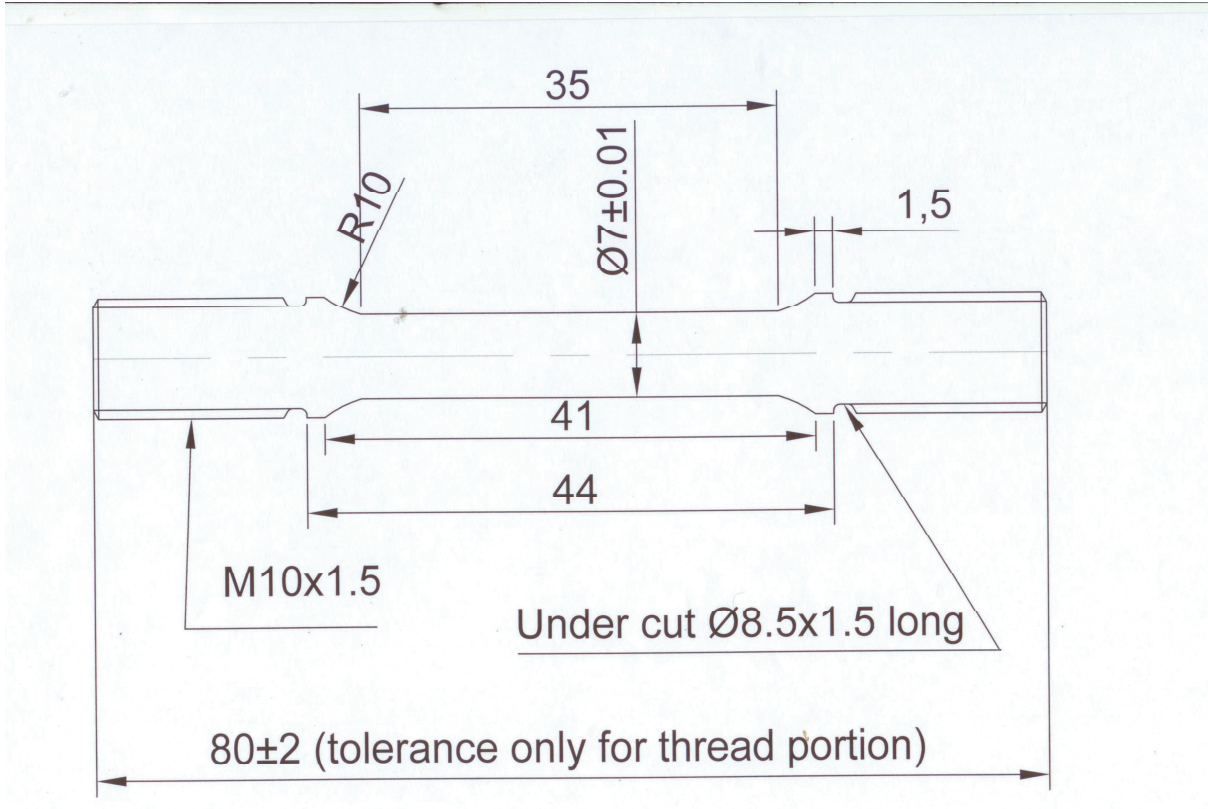
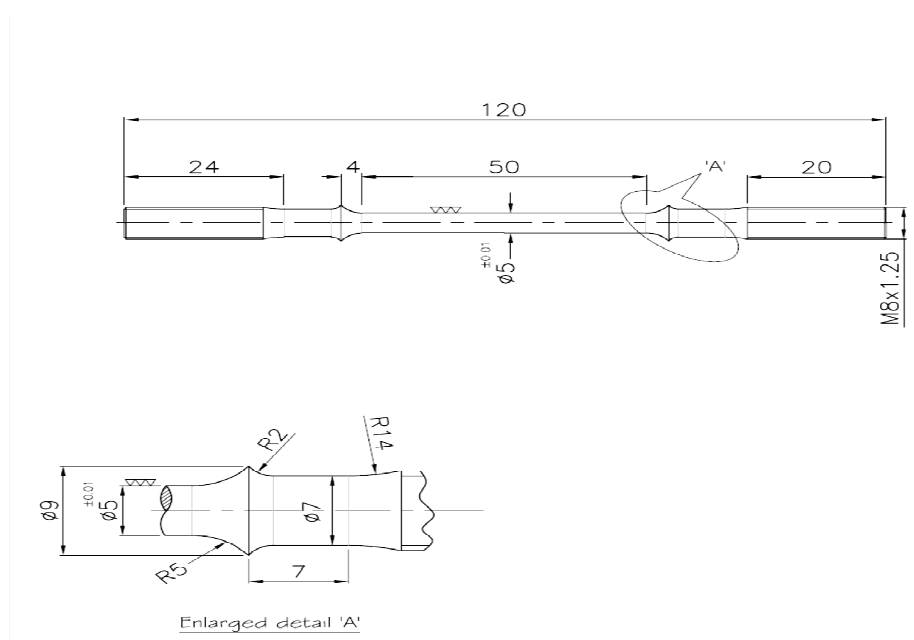


M10 Sample Drawing



M8 Sample Drawing



NOTE:
All dimensions are in mm. unless otherwise specified.

Flat Sample Drawing:

