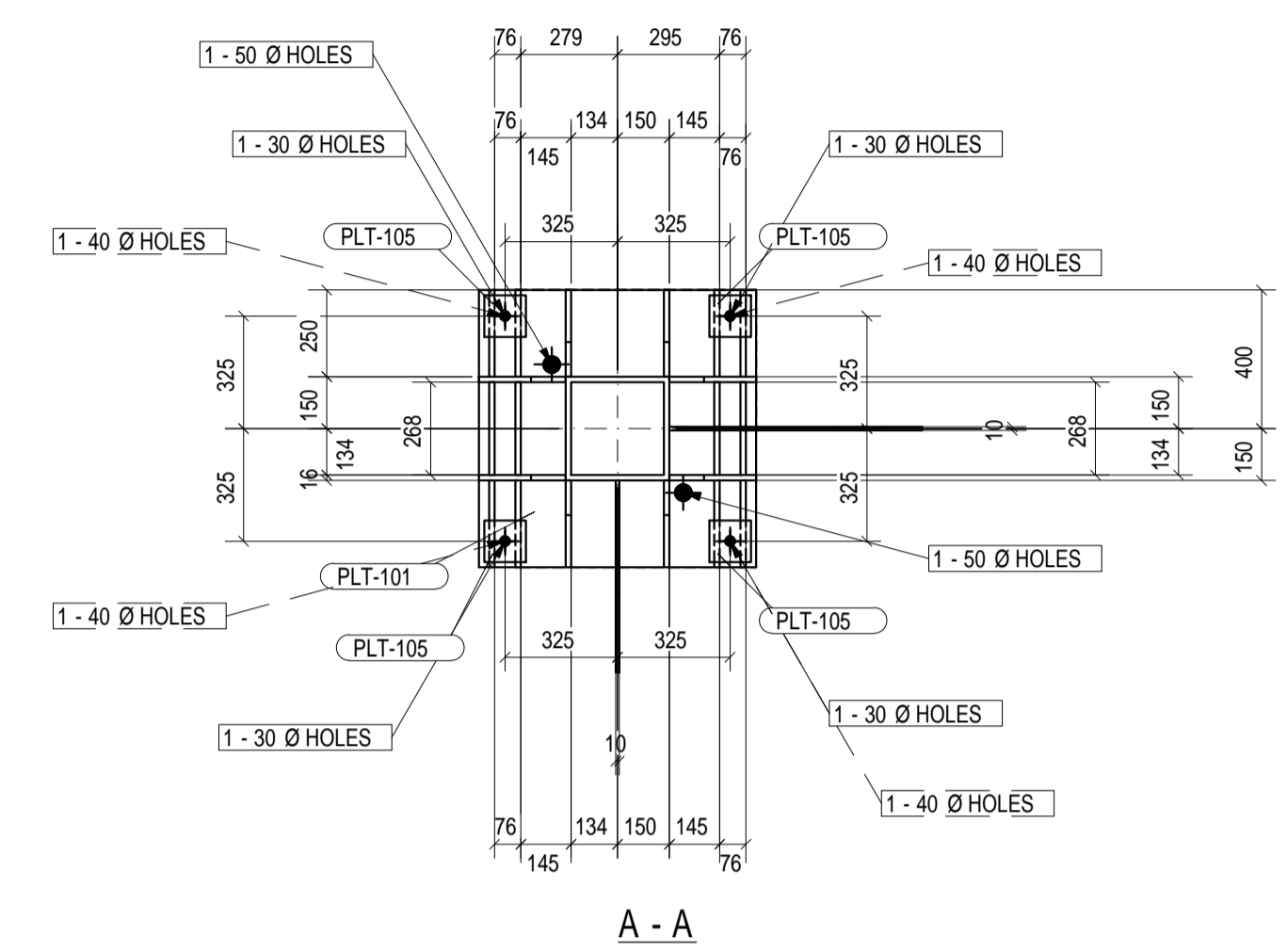
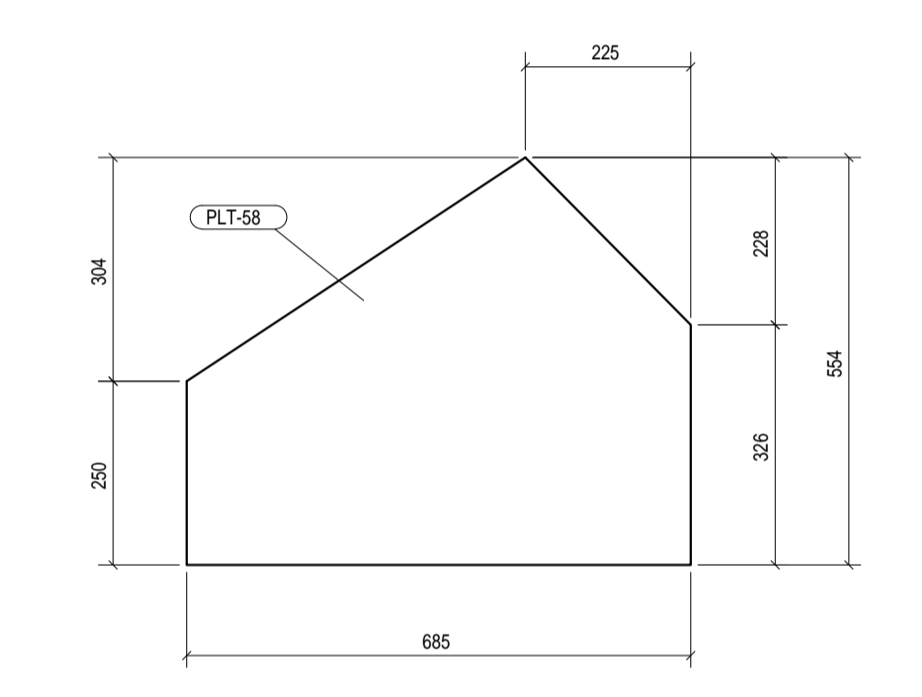
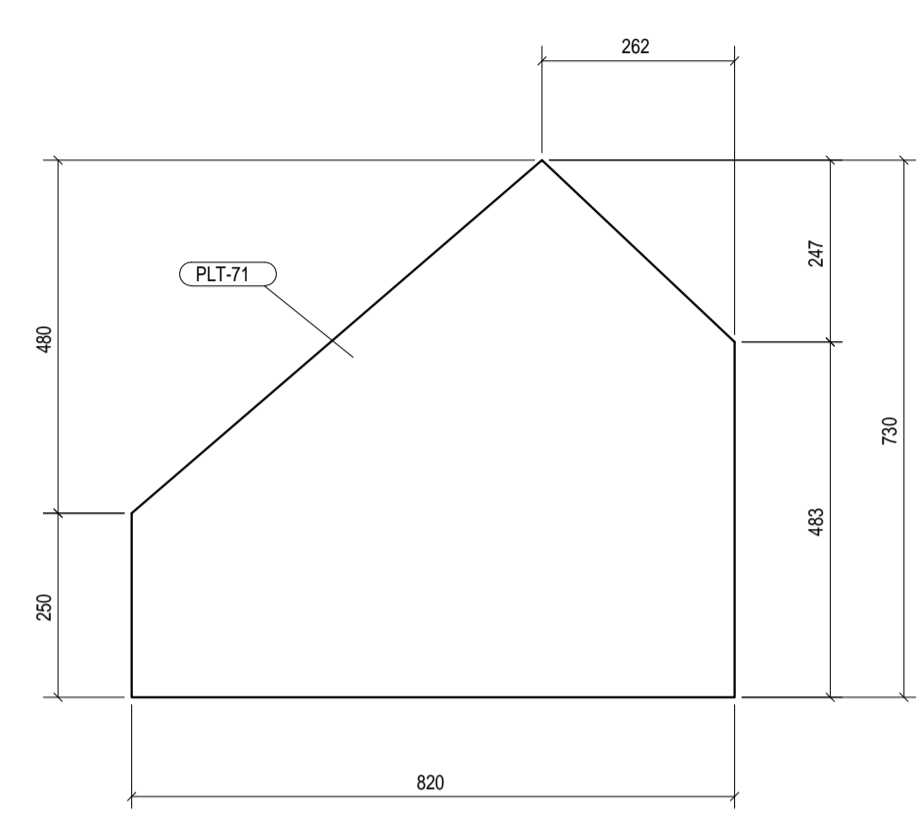
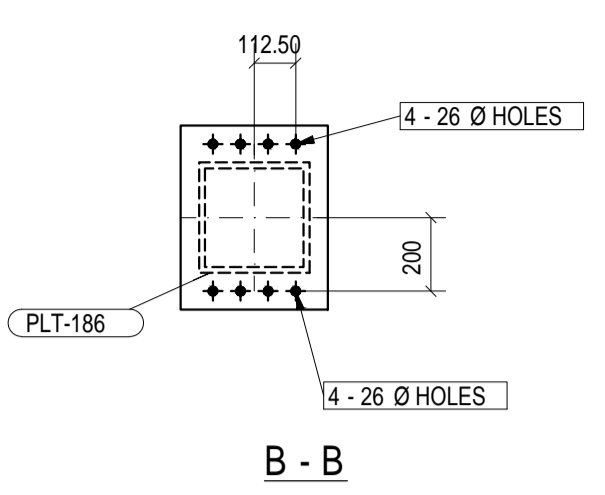
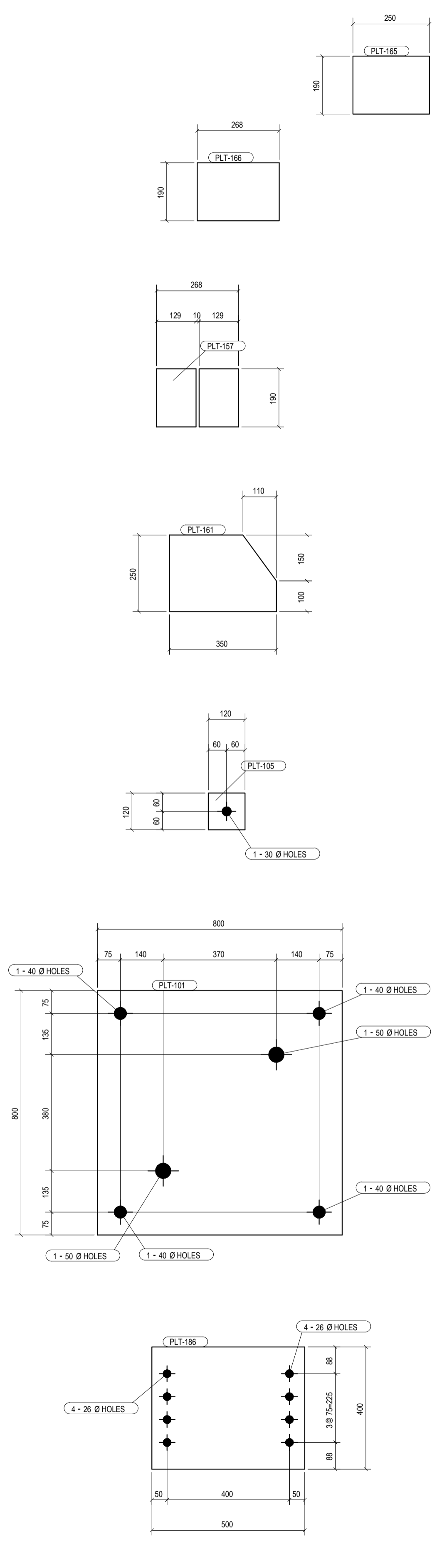
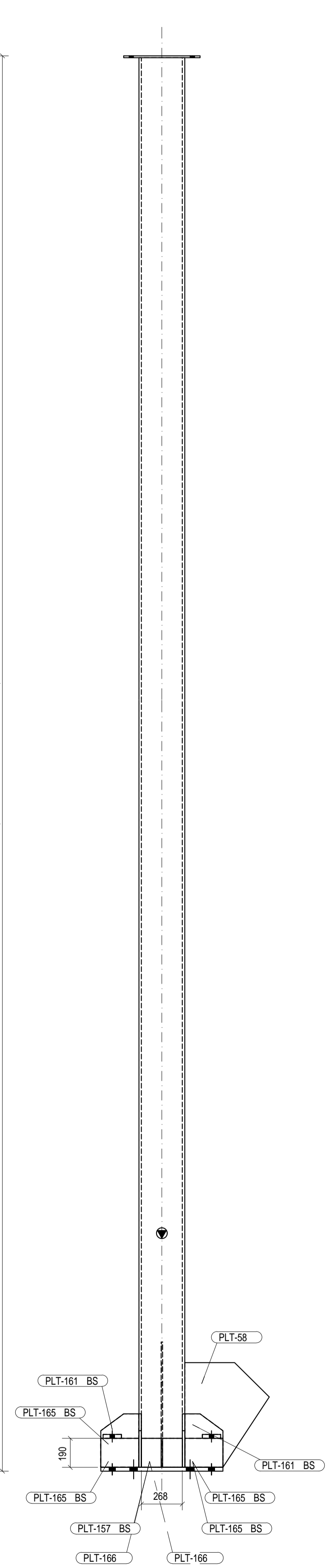
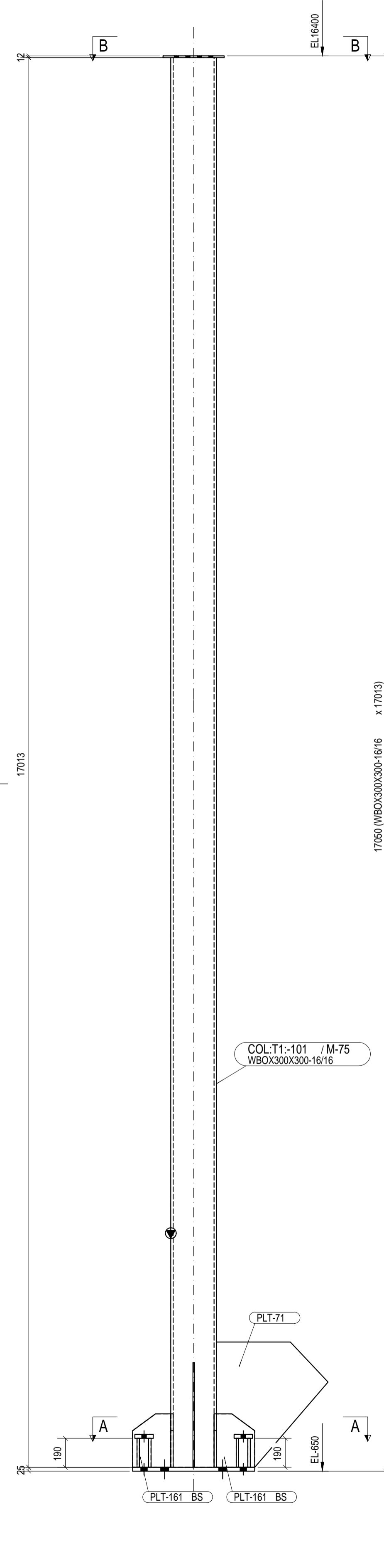


1-39-141-21812

FOR TOLERANCES OF UNTOLERANCED DIMENSIONS DURING MANUFACTURE REFER PLANT STD. NO TP 02 0299



NOTES:-
FOR ASSEMBLY DRAWING REFER PRINCIPAL DRAWING MENTIONED IN GMS

VARIANT NUMBER	ITEM NUMBER	DESCRIPTION	STD	DRAWING NUMBER	ITEM NO	MATERIAL CODE	UNIT	UNIT WEIGHT	CS	ZONE
12	PLATE-12 400.0x500.0	PLT-186			15-011-132 S2062E250A(F6410W)	No	18.840			
11	PLATE-16 190.0x268.0	PLT-166			15-011-026 S2062E250A(F6410W)	No	6.396			
10	PLATE-16 190.0x250.0	PLT-166			15-011-026 S2062E250A(F6410W)	No	5.966			
9	PLATE-16 250.0x350.0	PLT-161			15-011-026 S2062E250A(F6410W)	No	9.954			
8	PLATE-16 190.0x268.0	PLT-157			15-011-026 S2062E250A(F6410W)	No	6.157			
7	PLATE-25 120.0x120.0	PLT-105			15-011-081 S2062E250B(F6410W)	No	2.826			
6	PLATE-25 800.0x600.0	PLT-101			15-011-081 S2062E250B(F6410W)	No	125.600			
5	PLATE-10 730.0x820.0	PLT-71			15-211-098 S2062E250A(F6410W)	No	33.920			
4	PLATE-10 554.0x665.0	PLT-58			15-211-098 S2062E250A(F6410W)	No	22.295			
3	PLATE-16 268x17013	M-75xWEB			15-011-026 S2062E250A(F6410W)	No	572.671			
2	PLATE-16 300x17013	M-75xFL			15-011-026 S2062E250A(F6410W)	No	641.050			
1	PLATE-16 300x17013	M-75xFL			15-011-026 S2062E250A(F6410W)	No	641.050			

CAUTION: The information on this document is the property of BHARAT HEAVY ELECTRICALS LTD. It is not to be used directly or indirectly in any way detrimental to the interest of the company.

TYPE OF PRODUCT OR NAME OF CUSTOMER/PROJECT

Bharat Heavy Electricals Ltd
UNIT: HIGH PRESSURE BOILER PLANT
TIRUCHIRAPALLI - 620014

DRN: SHAILESH
CHD: RDK/PP/DOR
APPD: J.SOMU

DEPT: ST
CODE: 122

PROJECTION: NTS
SCALE: NTS

WEIGHT (Kg): 2791.865

REF TO ASSY/OLD DWG

TITLE: COL:T1:101 # 1

DRAWING NO: 1-39-141-21812

REV

1 No. REQUIRED AS DRAWN MARKED. COL:T1:101

