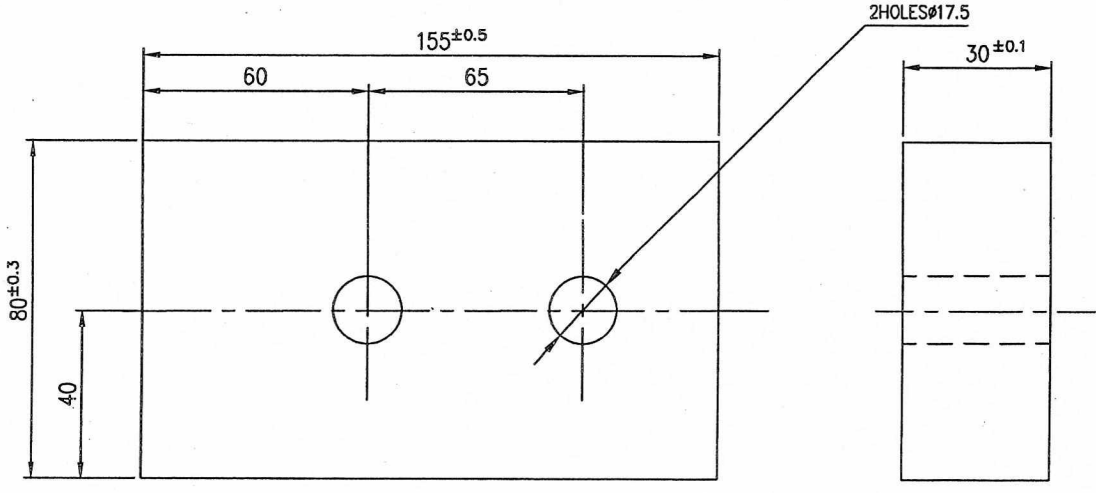


CAUTION: The information on this document is the property of BHARAT HEAVY ELECTRICALS LTD. It must not be used directly or indirectly in any way detrimental to the interest of the company.

REV 01	DATE 8.9.1986	ALTERED: -SD- CHECKED: -SD-	REV 02	DATE 4.5.2008	ALTERED: <u>Rg</u> CHECKED: <u>M. Manu</u>	REV 03	DATE 23.07.13	ALTERED: G.SATHISH CHECKED: M.K.NAHAK
MATL SPEC CHANGED FROM BMCQ-10 TO BMCQ-45			MATL SPEC CHANGED AS IS 2073/70 Gr.C-45			DIMENSIONAL TOLERANCE INCORPORATED.		



TO BE FORGED

NOTES:-

- * THE MATERIAL CAN BE OF ANY ONE OF THE FOLLEQUIVALENT SPECN.
- △ IS 2073/70 Gr.C-45
- BS-970/Pr.1/Gr.080.M46
- DIN 17200/69 Gr./C45

VARIANT NO	01	DESCRIPTION		DRAWING NO.	96150266	UNIT	2.807	CS	ZONE
ITEM NO					△ BMCQ 45 *	A	1		
					MATL. CODE	C	UNIT		
					MATL. SPEC	DI	QUANTITY		
BHARAT HEAVY ELECTRICALS LTD. UNIT: BOILER AUXILIARIES PLANT. RANIPET - 632 406.					DRN	M.MADHAVAN	SIGN	DATE	NO. OF
					CHD	D.D.SAHAYAM	-SD-	21.12.84	VAR
					APPD	M.K.LUXMAN	-SD-	21.12.84	
DEPT	AQCS	GRADE OF UNTO. DIM	SCALE	WEIGHT (KG).	REF. TO ASSY./OLD DRG.	ITEM NO.	NO. OF		
CODE	862	C / M / F	1:2	2.807			ITEMS		
TITLE					CARD CODE	DRAWING NO.	REV		
SHOCK PAD					U 01	4-79-024-00348	03		