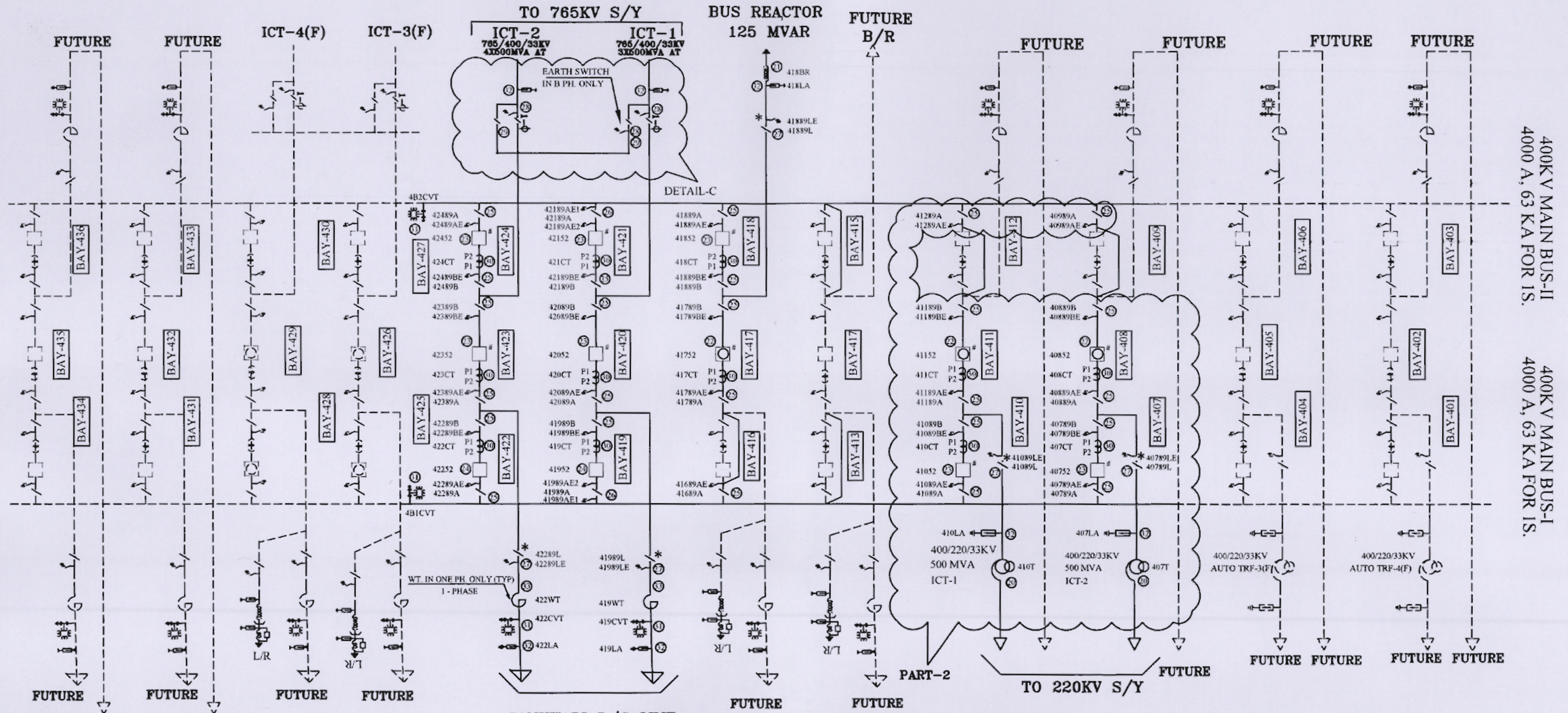


FIRST ANGLE PROJECTION (ALL DIMENSIONS ARE IN MM.)

DRAWING No. TB-3-384-510-001B



COPY RIGHT AND CONFIDENTIAL
The information on this document is the property of BHARAT HEAVY ELECTRICALS LIMITED.
It must not be used directly or indirectly in any way detrimental to the interest of the company.

COMPUTER DRG. PATH NAME :

REF. DRG. No.

SIGN. & DATE

INVENTORY No.

Cat-5

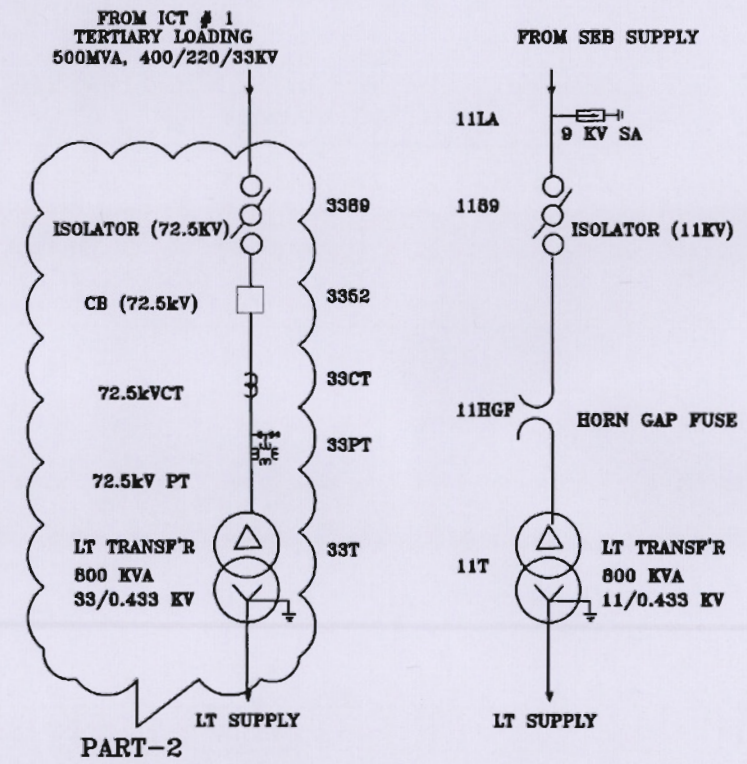
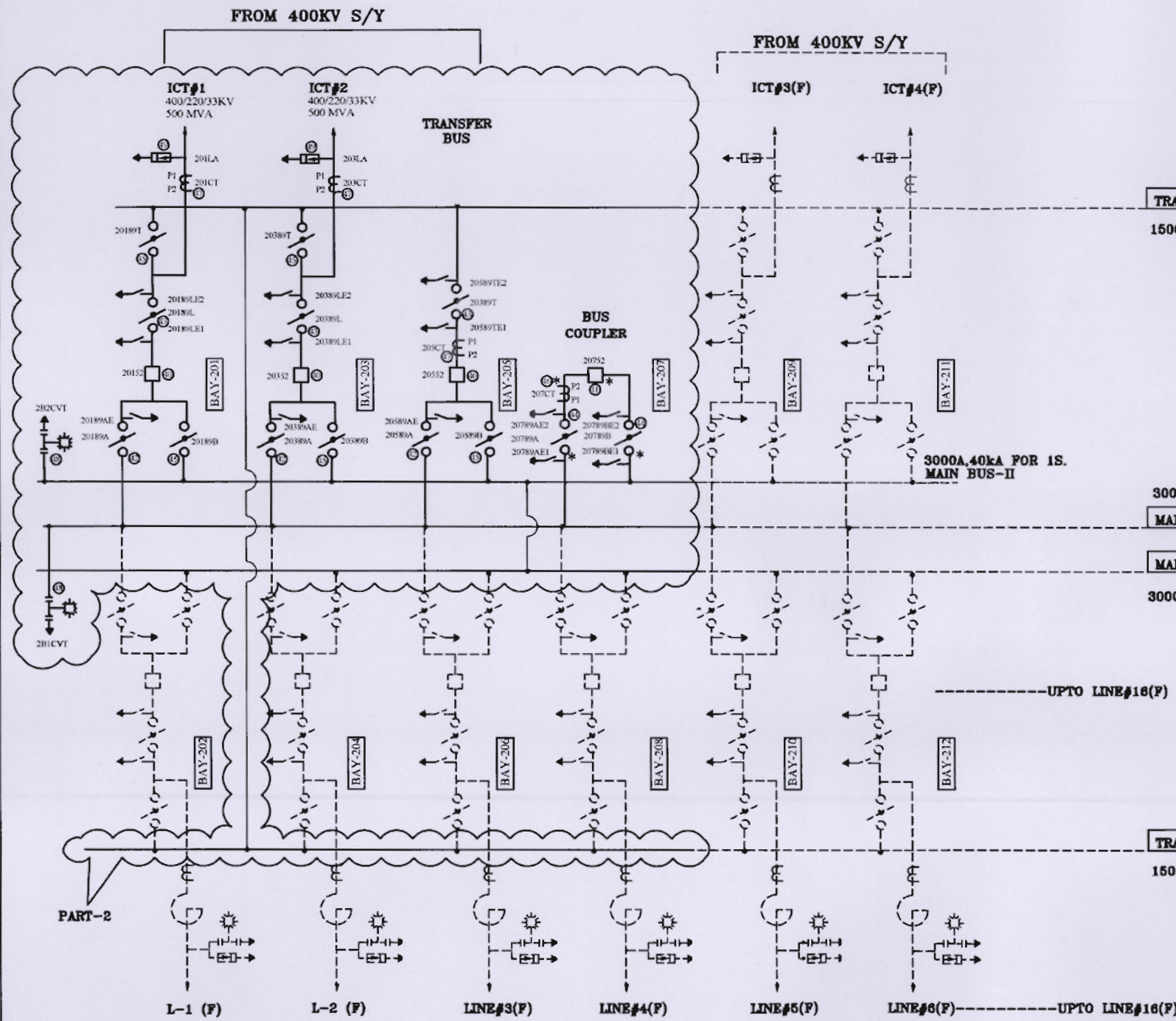
Approved/Released for Fabrication/Construction.
 II. Approved/Released for Fabrication/Construction Subject to Incorporation of Comments, Modification as Noted. Revised Drawing Required.
 III. To Be Resubmitted for Approval after Incorporating the Comments.
 IV. For Information & Record. Not Approved.

Power Grid Corporation of India Ltd.
Engineering (S/S) Gurason (HARYANA)

NOA NO. : CC-CS/483-WR2/SS-2803/11/G8/NOA-1&2/5507 & 5508 DT. 01.09.15		आइसक/परियोजना का नाम POWER GRID CORPORATION OF INDIA LIMITED																	
ADDITIONAL INFORMATION W.O.No. 85003		NAME OF CUSTOMER/PROJECT SUBSTATION PACKAGE-SS02 FOR CONSTRUCTION OF 765/400/220KV BANASKANTHA S/S & EXT. OF 400KV SANKHARI(GETCO) S/S UNDER GREEN ENERGY CORRIDOR ISTS PART-B(PART-1)																	
STATUS OF DRAWING CONTRACT		DISTRIBUTION OF PRINTS																	
REV. DATE ALTERED JS CHECKED SK/AA APPROVED AS/RS		<table border="1"> <tr> <th>क्रमांक</th> <th>नाम / NAME</th> <th>हस्ता / SIGN.</th> <th>दि./DATE</th> </tr> <tr> <td>1</td> <td>JS</td> <td></td> <td>23.11.15</td> </tr> <tr> <td>2</td> <td>SK/AA</td> <td></td> <td></td> </tr> <tr> <td>3</td> <td>AS/RS</td> <td></td> <td></td> </tr> </table>		क्रमांक	नाम / NAME	हस्ता / SIGN.	दि./DATE	1	JS		23.11.15	2	SK/AA			3	AS/RS		
क्रमांक	नाम / NAME	हस्ता / SIGN.	दि./DATE																
1	JS		23.11.15																
2	SK/AA																		
3	AS/RS																		
REV. DATE 20.10.15		<table border="1"> <tr> <th>भाग</th> <th>TBEM</th> <th>अनुपात / SCALE</th> <th>कार्ड कोड</th> </tr> <tr> <td>DEPT.</td> <td>422</td> <td>NTS</td> <td>CARD CODE</td> </tr> </table>		भाग	TBEM	अनुपात / SCALE	कार्ड कोड	DEPT.	422	NTS	CARD CODE								
भाग	TBEM	अनुपात / SCALE	कार्ड कोड																
DEPT.	422	NTS	CARD CODE																
ZONE REVISED AS PER PGCIL COMMENT VIDE LETTER DATED 30 OCT 2015		<table border="1"> <tr> <th>क्रमांक</th> <th>नाम / NAME</th> <th>हस्ता / SIGN.</th> <th>दि./DATE</th> </tr> <tr> <td>1</td> <td>AS/RS</td> <td></td> <td></td> </tr> </table>		क्रमांक	नाम / NAME	हस्ता / SIGN.	दि./DATE	1	AS/RS										
क्रमांक	नाम / NAME	हस्ता / SIGN.	दि./DATE																
1	AS/RS																		
सिंगल लाइन डायग्राम SINGLE LINE DIAGRAM FOR 765/400/220KV BANASKANTHA S/S.		ड्राइंग नं./DRAWING NO. TB-3-384-510-001B																	
		पृष्ठ नं./SHEET No. 02 अगला पृष्ठ/NEXT SHEET 03																	

FIRST ANGLE PROJECTION (ALL DIMENSIONS ARE IN MM.)

DRAWING No. TB-3-384-510-001B



220KV SINGLE LINE DIAGRAM

Approved/Released for Fabrication/ Construction.
 II. Approved/Released for Fabrication/ Construction Subject to Incorporation of Comments, Modification as Noted, Revised Drawing Required.
 III. To Be Resubmitted for Approval after Incorporating the Comments.
 IV. For Information & Record Not Approved

Power Grid Corporation of India Ltd.
 Engineering (S/S) Gurgaon (HARYANA)

NOA NO. : CC-CS/483-WR2/SS-2803/11/G8/NOA-1&2/5507 & 5508 DT. 01.09.15		ब्राह्मक/परियोजना का नाम POWER GRID CORPORATION OF INDIA LIMITED																	
ADDITIONAL INFORMATION W.O.No. 85003		NAME OF CUSTOMER/PROJECT SUBSTATION PACKAGE-SS02 FOR CONSTRUCTION OF 765/400/220KV BANASKANTHA S/S & EXT. OF 400KV SANKHARI(GETCO) S/S UNDER GREEN ENERGY CORRIDOR ISTS PART-B(PART-1)																	
STATUS OF DRAWING CONTRACT		निर्देशिका भारत हेवी इलेक्ट्रिकल्स लिमिटेड द्वारा परियोजना विभाग BH&O BHARAT HEAVY ELECTRICALS LTD. TRANSMISSION PROJECTS DIVISION																	
DISTRIBUTION OF PRINTS		<table border="1"> <tr> <th>क्रमांक / NO.</th> <th>नाम / NAME</th> <th>हस्ता / SIGN.</th> <th>दि. / DATE</th> </tr> <tr> <td>01</td> <td>JS</td> <td></td> <td>23.11.15</td> </tr> <tr> <td>02</td> <td>SK/AA</td> <td></td> <td></td> </tr> <tr> <td>03</td> <td>AS/RS</td> <td></td> <td></td> </tr> </table>		क्रमांक / NO.	नाम / NAME	हस्ता / SIGN.	दि. / DATE	01	JS		23.11.15	02	SK/AA			03	AS/RS		
क्रमांक / NO.	नाम / NAME	हस्ता / SIGN.	दि. / DATE																
01	JS		23.11.15																
02	SK/AA																		
03	AS/RS																		
REV. DATE	ALTERED BY	विभाग TBEM DEPT.	अनुपात / SCALE																
20.10.20	CHECKED SK/AA	कोड 422	NTS																
ZONE	REVISOR APPROVED AS/RS	कार्ड कोड CARD CODE																	
	REVISOR APPROVED AS/RS	शीट/कॉल/ टाइटल																	
		SINGLE LINE DIAGRAM FOR 765/400/220KV BANASKANTHA S/S.	पृष्ठ नं./DRAWING NO. TB-3-384-510-001B																
			पृष्ठ नं./SHEET No.03 उगला पृष्ठ/NEXT SHEET 04																

COPY RIGHT AND CONFIDENTIAL
 The information on this document is the property of BHARAT HEAVY ELECTRICALS LIMITED
 It must not be used directly or indirectly in any way detrimental to the interest of the company.
 COMPUTER DRG. PATH NAME :
 REF. DRG. No.
 SIGN. & DATE
 INVENTORY No.