

FIRST ANGLE PROJECTION (ALL DIMENSIONS ARE IN MM.)

DRAWING No. TB-3-384-510-001B

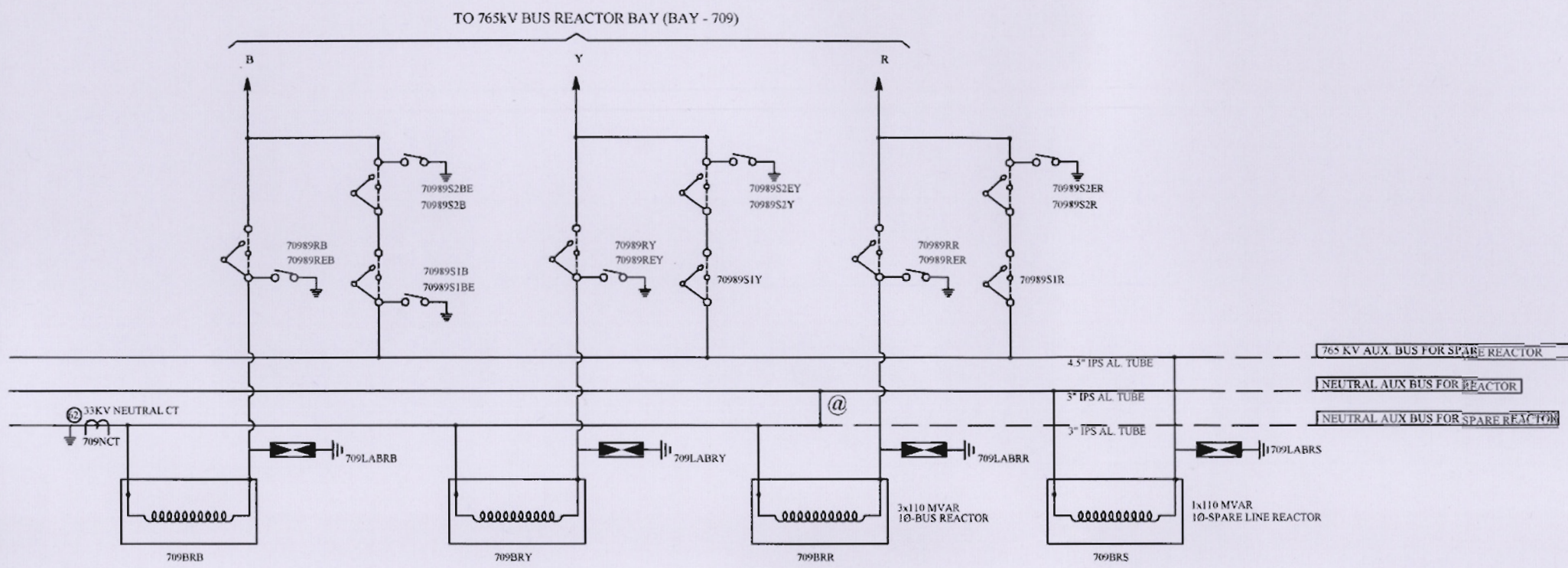
COPY RIGHT AND CONFIDENTIAL
The Information on this document is the property of BHARAT HEAVY ELECTRICALS LIMITED
It must not be used directly or indirectly in any way detrimental to the interest of the company.

COMPUTER DRG. PATH NAME :

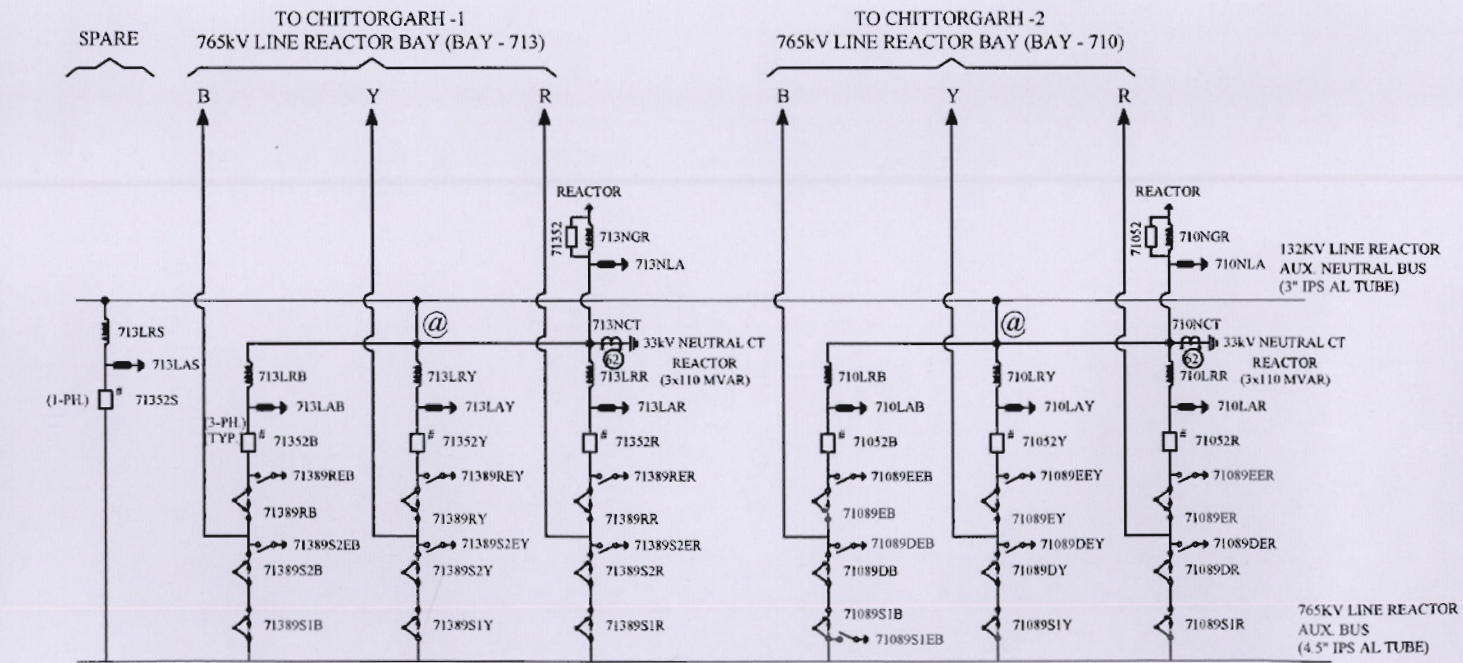
REF. DRG. No.

SIGN. & DATE

INVENTORY No.



DETAIL-B
(ARRANGEMENT OF 765KV BUS REACTOR AND AUX. BUS.)



DETAIL-A
(ARRANGEMENT OF 765KV LINE REACTOR AND AUX. BUS.)

Cat-5

Approved/Released for Fabrication/ Construction.
 ii. Approved/Released for Fabrication/ Construction Subject to Incorporation of Comments, Modification as Noted. Revised Drawing Required.
 iii. To Be Resubmitted for Approval after Incorporating the Comments.
 iv. For Information & Record.
 v. Not Approved

(Signature) _____
 (Designation) _____
 (Date) _____

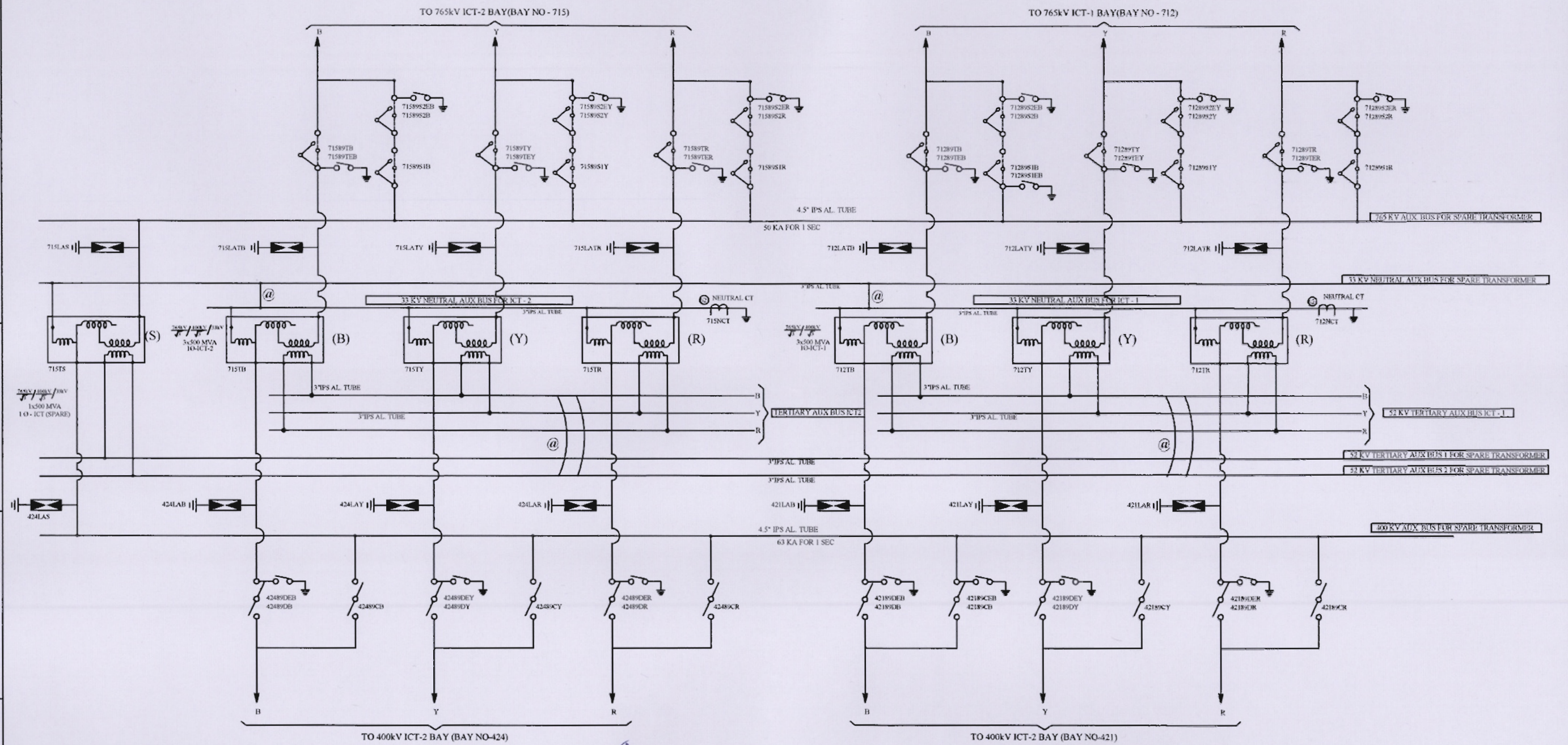
Power Grid Corporation of India Ltd.
 Engineering (S/S) Gurgaon (HARYANA)

NOA NO. : CC-CS/483-WR2/SS-2803/11/G0/NOA-1&2/5507 & 5508 DT. 01.09.15																	
ADDITIONAL INFORMATION W.O.No. 85003	NAME OF CUSTOMER/PROJECT POWER GRID CORPORATION OF INDIA LIMITED SUBSTATION PACKAGE-SS02 FOR CONSTRUCTION OF 765/400/220KV BANASKANTHA S/S & EXT. OF 400KV SANKHARI(GETCO) S/S UNDER GREEN ENERGY CORRIDOR 1ST PART-B(PART-1)																
STATUS OF DRAWING CONTRACT	DISTRIBUTION OF PRINTS																
REV. DATE ALTERED JS 20.10.15 CHECKED SK/AA APPROVED AS/RS	<table border="1"> <tr> <th>क्रमांक</th> <th>नाम /NAME</th> <th>ए.स्ता./SIGN.</th> <th>दि./DATE</th> </tr> <tr> <td>01</td> <td>JS</td> <td></td> <td>23.11.15</td> </tr> <tr> <td>02</td> <td>SK/AA</td> <td></td> <td></td> </tr> <tr> <td>03</td> <td>AS/RS</td> <td></td> <td></td> </tr> </table>	क्रमांक	नाम /NAME	ए.स्ता./SIGN.	दि./DATE	01	JS		23.11.15	02	SK/AA			03	AS/RS		
क्रमांक	नाम /NAME	ए.स्ता./SIGN.	दि./DATE														
01	JS		23.11.15														
02	SK/AA																
03	AS/RS																
ZONE REVISED AS PER PGCIL COMMENT VIDE LETTER DATED 30 OCT 2015	विभाग TBEM DEPT. 422 कोड CODE अनुपात / SCALE NTS कार्ड कोड CARD CODE शीर्षक/TITLE SINGLE LINE DIAGRAM FOR 765/400/220KV BANASKANTHA S/S.																
INVENTORY No.	ड्राइंग क्र./DRAWING NO. TB-3-384-510-001B पृष्ठ क्र./SHEET No. 04 अगला पृष्ठ/NEXT SHEET 05																

FIRST ANGLE PROJECTION (ALL DIMENSIONS ARE IN MM.)

DRAWING No. TB-3-384-510-001B

COPY RIGHT AND CONFIDENTIAL
The information on this document is the property of BHARAT HEAVY ELECTRICALS LIMITED.
It must not be used directly or indirectly in any way detrimental to the interest of the company.



DETAIL-C
(ARRANGEMENT OF 765/400kV ICT AND AUX. BUS)

Approved for Fabrication/Construction.
ii. Approved/Released for Fabrication/Construction Subject to incorporation of Comments, Modification as Noted. Revised Drawing Required.
iii. To Be Resubmitted for Approval after incorporating the Comments.
iv. For Information & Record.
v. Not Approved

Power Grid Corporation of India Ltd.
Engineering (S/S) Gurgaon (HARYANA)

NOA NO. : CC-CS/483-WR2/SS-2803/11/G8/NOA-1&2/5507 & 5508 DT. 01.09.15		ग्राहक/परियोजना का नाम POWER GRID CORPORATION OF INDIA LIMITED													
ADDITIONAL INFORMATION W.O.No. 85003		NAME OF CUSTOMER/PROJECT SUBSTATION PACKAGE-SS02 FOR CONSTRUCTION OF 765/400/220KV BANASKANTHA S/S & EXT. OF 400KV SANKHARI(GETCO) S/S UNDER GREEN ENERGY CORRIDOR ISTS PART-B(PART-1)													
STATUS OF DRAWING CONTRACT		DISTRIBUTION OF PRINTS													
REV. DATE ALTERED DW 20.10.2015 CHECKED SK/AA APPROVED AS/RS		<table border="1"> <tr> <td>नाम / NAME</td> <td>हस्ता / SIGN.</td> <td>दि / DATE</td> </tr> <tr> <td>JS</td> <td></td> <td>23.11.15</td> </tr> <tr> <td>SK/AA</td> <td></td> <td></td> </tr> <tr> <td>AS/RS</td> <td></td> <td></td> </tr> </table>		नाम / NAME	हस्ता / SIGN.	दि / DATE	JS		23.11.15	SK/AA			AS/RS		
नाम / NAME	हस्ता / SIGN.	दि / DATE													
JS		23.11.15													
SK/AA															
AS/RS															
ZONE REVISOR AS PER PGCIL COMMENT WIDE LETTER DATED 30 OCT 2015		भिन्ना TBEM DEPT. कोड 422 अनुपात / SCALE कार्ड कोड NTS कोड 422 शीर्षक/TITLE SINGLE LINE DIAGRAM FOR 765/400/220KV BANASKANTHA S/S.													
INVENTORY No.		ड्रांग. नं./DRAWING NO. TB-3-384-510-001B पृष्ठ नं./SHEET No. 05 अगला पृष्ठ/NEXT SHEET 06													

COMPUTER DRG. PATH NAME :
REF. DRG. No.
SIGN. & DATE
INVENTORY No.

FIRST ANGLE PROJECTION (ALL DIMENSIONS ARE IN MM.)

DRAWING No. TB-3-384-510-001B

BILL OF QTY. FOR 765kV MAIN EQUIPMENTS: *50kA for 1 sec*

SL.NO	DESCRIPTION	RATING	QTY (NO) (PART-1)	SYMBOL	SCOPE OF SUPPLY	LEGEND
1	500 MVA, (1-PH) AUTOTRANSFORMER	765/400/33KV	7		PGCIL	T
2	110MVAR LINE REACTOR (1-PH) WITH NGR(550 Ohm)	765KV	7		PGCIL	LR/NGR
3	110MVAR BUS REACTOR (1-PH)	765KV	4		PGCIL	BR
4	SF6 CIRCUIT BREAKER WITH CR, WITH CSD (3-PH)	3150A	3		PGCIL	52
5	SF6 CIRCUIT BREAKER WITH CR, WITHOUT CSD (3-PH)	3150A	2		PGCIL	52
6	SF6 CIRCUIT BREAKER WITHOUT CR, WITH CSD (3-PH)	3150A	5		PGCIL	52
7	SF6 CIRCUIT BREAKER WITHOUT CR, WITH CSD (1-PH)	3150A	1		PGCIL	52
8	ISOLATOR WITH ONE E/SW (3 PH) VERTICAL KNEE TYPE	3150A	17		BHEL	89/89E
9	ISOLATOR WITH TWO E/SW (3 PH) VERTICAL KNEE TYPE	3150A	2		BHEL	89/89E1 /89E2
10	ISOLATOR WITH ONE E/SW (1 PH) VERTICAL KNEE TYPE	2000A	33		BHEL	89/89E1
11	ISOLATOR WITHOUT E/SW (1 PH) VERTICAL KNEE TYPE	2000A	12		BHEL	89
12	CURRENT TRANSFORMER (1 PH.) WITH 120% EXTENDED CURRENT RATING	3000A	24		BHEL	CT
13	CVT (1 PH.)	8800pF	12		BHEL	CVT
14	SURGE ARRESTER (1 PH.)	624 kV	24		BHEL	LA
15	WAVE TRAP (1 PH.) PEDESTAL TYPE.	1mH, 3150A	04		BHEL	WT

BILL OF QTY. FOR 400kV MAIN EQUIPMENTS: *63kA for 1 sec*

SL.NO	DESCRIPTION	RATING	QTY (PART-1) (NO.)	QTY (PART-2) (NO.)	SYMBOL	SCOPE OF SUPPLY	LEGEND
20	500MVA, (3-PH) AUTOTRANSFORMER.	400/220/33KV	0	2		BHEL	T
21	125MVAR BUS REACTOR (3-PH)	420 kV	1	0		BHEL	BR
22	SF6 CIRCUIT BREAKER WITH CR, WITH CSD (3-PH)	3150A	1	2		BHEL	52
23	SF6 CIRCUIT BREAKER WITHOUT CR, WITH CSD (3-PH)	3150A	5	2		BHEL	52
24	SF6 CIRCUIT BREAKER WITHOUT CR, WITHOUT CSD (3-PH)	3150A	2	0		BHEL	52
25	ISOLATOR WITH ONE E/SW (3 PH) DOUBLE BREAK TYPE	3150A	15	10		BHEL	89/89E
26	ISOLATOR WITH TWO E/SW (3 PH) DOUBLE BREAK TYPE	3150A	2	0		BHEL	89/89E1 /89E2
27	ISOLATOR WITH ONE E/SW (3 PH) DOUBLE BREAK TYPE	2000A	3	2		BHEL	89/89E1
28	ISOLATOR WITH ONE E/SW (1 PH) DOUBLE BREAK TYPE	3150A	7	0		BHEL	89/89E1
29	ISOLATOR WITHOUT E/SW (1 PH) DOUBLE BREAK TYPE	3150A	5	0		BHEL	89
30	CURRENT TRANSFORMER (1 PH.) WITH 120% EXTENDED CURRENT RATING.	3000A	24	12		BHEL	CT
31	CVT (1 PH.)	4400pF	12	0		BHEL	CVT
32	SURGE ARRESTER (1 PH.)	336 kV	16	6		BHEL	LA
33	WAVE TRAP (1 PH.) PEDESTAL TYPE.	0.5mH, 2000A	2	0		BHEL	WT

BILL OF QTY. FOR 132 & 33kV MAIN EQUIPMENTS:

SL.NO	DESCRIPTION	RATING	QTY (NO)	SYMBOL	SCOPE OF SUPPLY	LEGEND
60	SF6 CIRCUIT BREAKER FOR NGR BYPASS (1-PH)	132KV, 1250A	2		BHEL	52
61	SURGE ARRESTER (1 PH.)	120 kV, 10 KA 5 KJ/KV	2		PGCIL	LA
62	NEUTRAL CT. (1 PH.) WITH 120% EXTENDED CURRENT RATING.	33KV	5		PGCIL	CT

BILL OF QTY. FOR 220kV MAIN EQUIPMENTS:

SL.NO	DESCRIPTION	RATING	QTY (PART-2) (NO)	SYMBOL	SCOPE OF SUPPLY	LEGEND
40	SF6 CIRCUIT BREAKER (3-PH)	1600A	3		BHEL	52
41	SF6 CIRCUIT BREAKER (3-PH)	2500A	1		BHEL	52
42	ISOLATOR WITH ONE E/SW (3 PH) DOUBLE BREAK TYPE	1600A	3		BHEL	89/89E
43	ISOLATOR WITH TWO E/SW (3 PH) DOUBLE BREAK TYPE	1600A	3		BHEL	89/89E1 /89E2
44	ISOLATOR WITH TWO E/SW (3 PH) DOUBLE BREAK TYPE	2500A	2		BHEL	89/89E1
45	TANDEM ISOLATOR WITHOUT E/SW(3PH) DOUBLE BREAK TYPE	1600A	5		BHEL	89
46	CURRENT TRANSFORMER (1 PH.) WITH 150% EXTENDED CURRENT RATING	1600A	3		BHEL	CT
47	CURRENT TRANSFORMER (1 PH.) WITH 120% EXTENDED CURRENT RATING	1600A	9		BHEL	CT
48	CVT (1 PH.)	4400pF	6		BHEL	CVT
49	SURGE ARRESTER (1 PH.)	216 kV	6		BHEL	LA

Cat 5

Approved/Released for Fabrication/ Construction.
 ii. Approved/Released for Fabrication/ Construction Subject to Incorporation of Comments, Modification as Noted. Revised Drawing Required.
 iii. To Be Resubmitted for Approval after incorporating the Comments.
 iv. For Information & Record. Not Approved.

Power Grid Corporation of India Ltd. Engineering (S/S) Gurgaon (HARYANA)

NOA NO. : CC-CS/483-WR2/SS-2803/11/G8/NOA-1&2/5507 & 5508 DT. 01.09.15

ADDITIONAL INFORMATION W.O.No. 85003

STATUS OF DRAWING CONTRACT

DISTRIBUTION OF PRINTS

POWER GRID CORPORATION OF INDIA LIMITED

NAME OF CUSTOMER/PROJECT SUBSTATION PACKAGE-SS02 FOR CONSTRUCTION OF 765/400/220KV BANASKANTHA S/S & EXT. OF 400KV SANKHARI(GETCO) S/S UNDER GREEN ENERGY CORRIDOR ISTS PART-B(PART-1)

भारत हेवी इलेक्ट्रिकल्स लिमिटेड
 शासकिय परियोजना विभाग
 BHARAT HEAVY ELECTRICALS LTD.
 TRANSMISSION PROJECTS DIVISION

जान /NAME JS
 एन्स/ SIGN. SK/AA
 दि./DATE 23.11.15

REV. DATE ALTERED JS
 CHECKED SK/AA
 APPROVED AS/RS

विभाग TBEM
 DEPT. कोड 422

उत्तुपात / SCALE NTS
 कार्ड कोड CARD CODE

REVISOR/TITLE
 REVISOR/TITLE

SINGLE LINE DIAGRAM FOR 765/400/220kV BANASKANTHA S/S.

ड्रा.क्र./DRAWING NO. TB-3-384-510-001B
 पु.क्र./REV. 01

पृष्ठ क्र./SHEET No.06
 अगला पृष्ठ/NEXT SHEET 07

COPY RIGHT AND CONFIDENTIAL
 The information on this document is the property of BHARAT HEAVY ELECTRICALS LIMITED.
 It must not be used directly or indirectly in any way detrimental to the interest of the company.

COMPUTER DRG. PATH NAME :

REF. DRG. No.

SIGN. & DATE

INVENTORY No.