

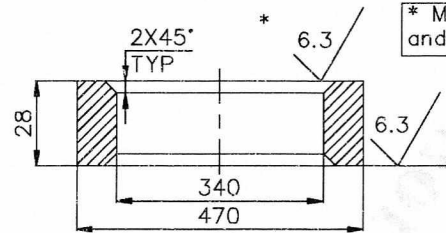
CAUTION: The information on this document is the property of BHARAT HEAVY ELECTRICALS LTD. It must not be used directly or indirectly in any way detrimental to the interest of the company.

REV	DATE	ALTERED: C.Ganesh
01	30.08.10	CHECKED: C.Ganesh

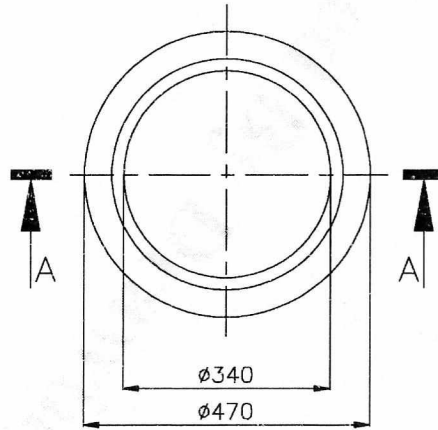
Drq revised from machining to Forging based on MPLG feed—
—back vide Letter dated 050510

ALL DIMENSIONS ARE IN MILLIMETRES

FOR PRODUCTION
REF.-PR:QA:590 FOR PAINTING
REF.-PR:QA:500 FOR UNTOL. DIMNS.



SECTION-AA



BPS CODE:942851860000

01	PL 32X470				18.144
		SA 105 Forged			1
VAR NO.	DESCRIPTION	MATL. CODE	A	UNIT	UNIT WT.
		MATL. SPECN.	C	DI	QTY

	BHARAT HEAVY ELECTRICALS LTD., UNIT: BOILER AUXILIARIES PLANT, RANIPET - 632 406.		DRN	NAME	SIGN	DATE	NO. OF VAR
			CHD	M.R.PRABU		10/05/07	
			APPD	MPG		10/05/07	
DEPT	AQCS	GRADE OF UNTOL.DIM	SCALE	WEIGHT (KG).	REF. TO ASSY./OLD DRG.	ITEM NO.	NO. OF ITEMS
CODE	862	PR: QA: 500	NTS	18.144	4-79-013-00292	-	
TITLE				CARD CODE	DRAWING NO.		REV
SUPPORTING FLANGE-Forged				U 01	6172-0159		01

Size A4