



NOTES

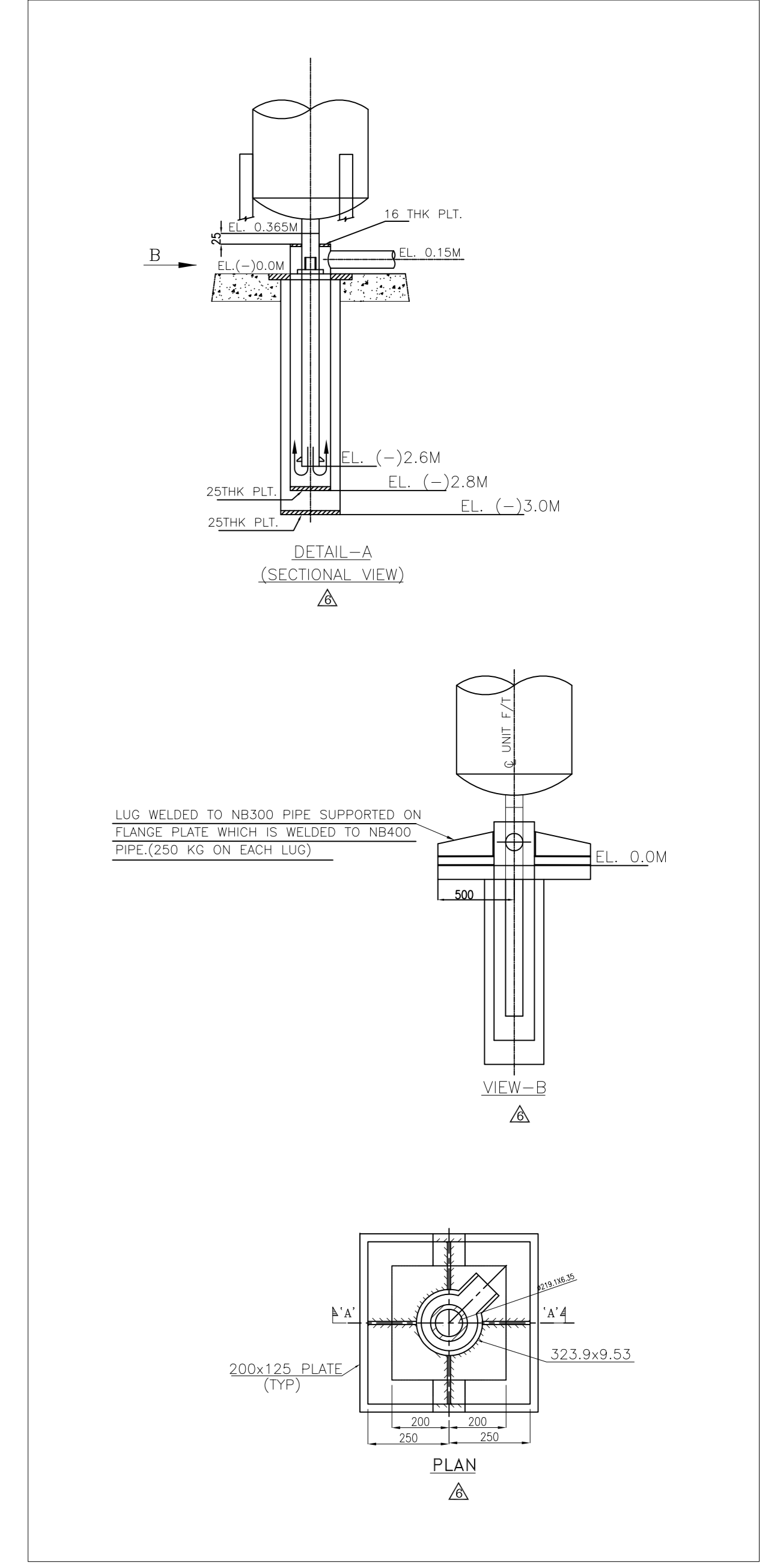
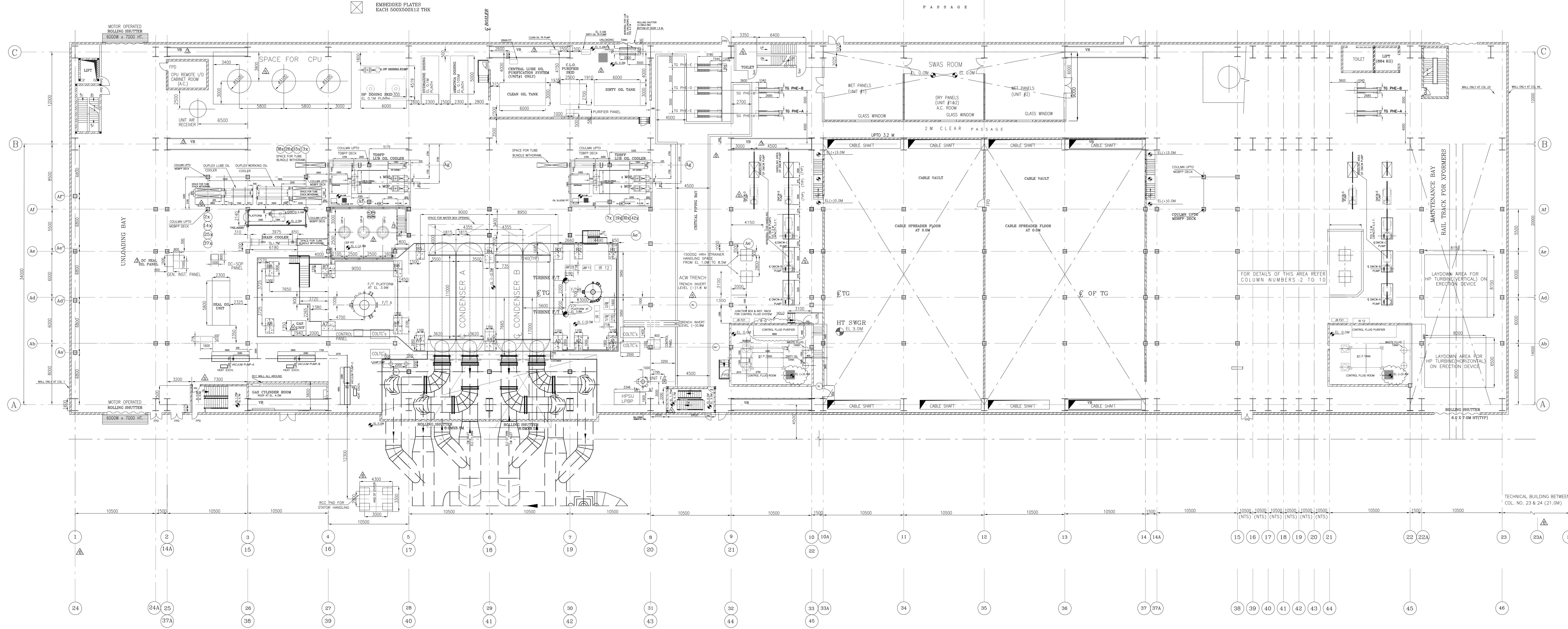
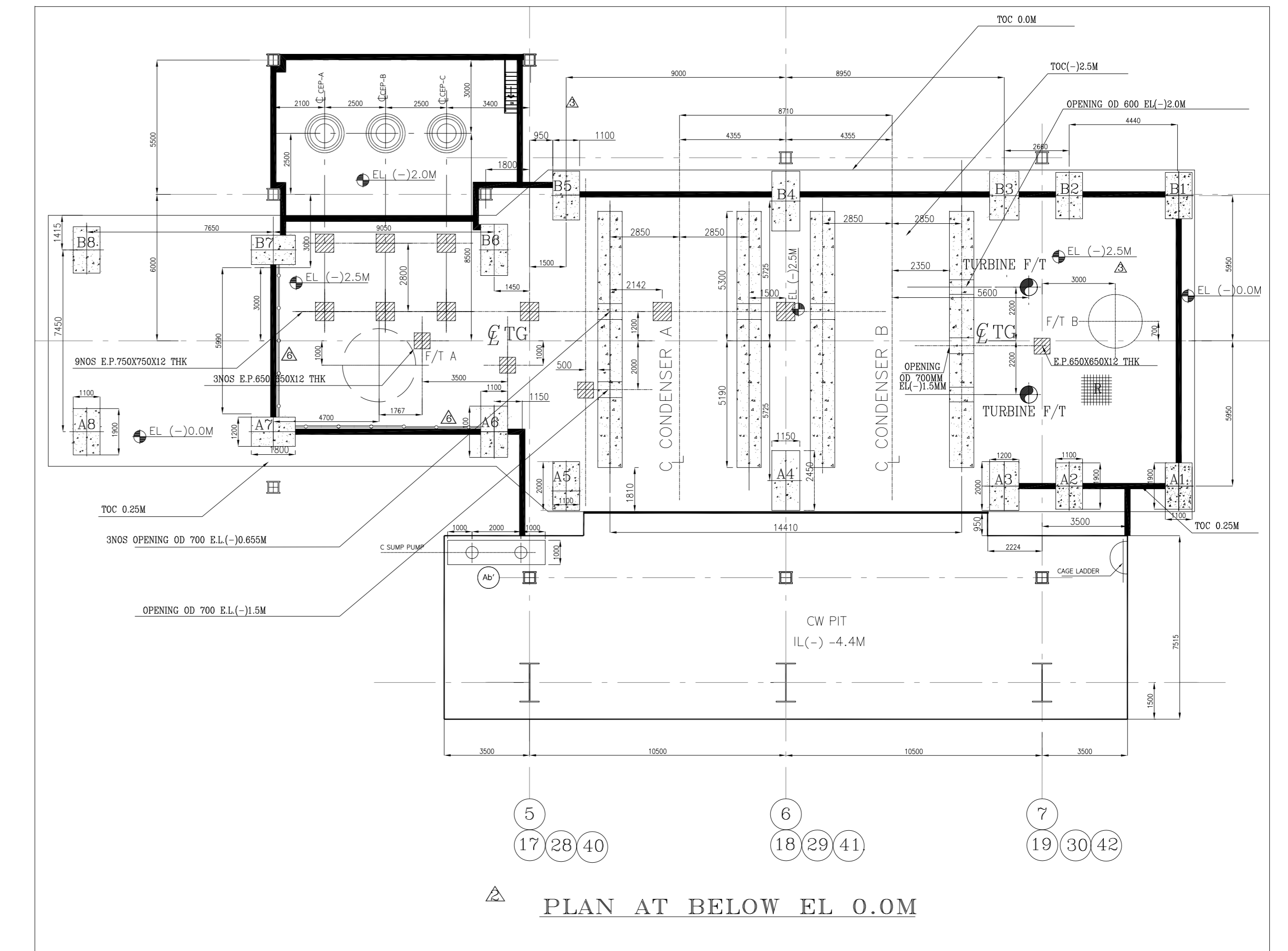
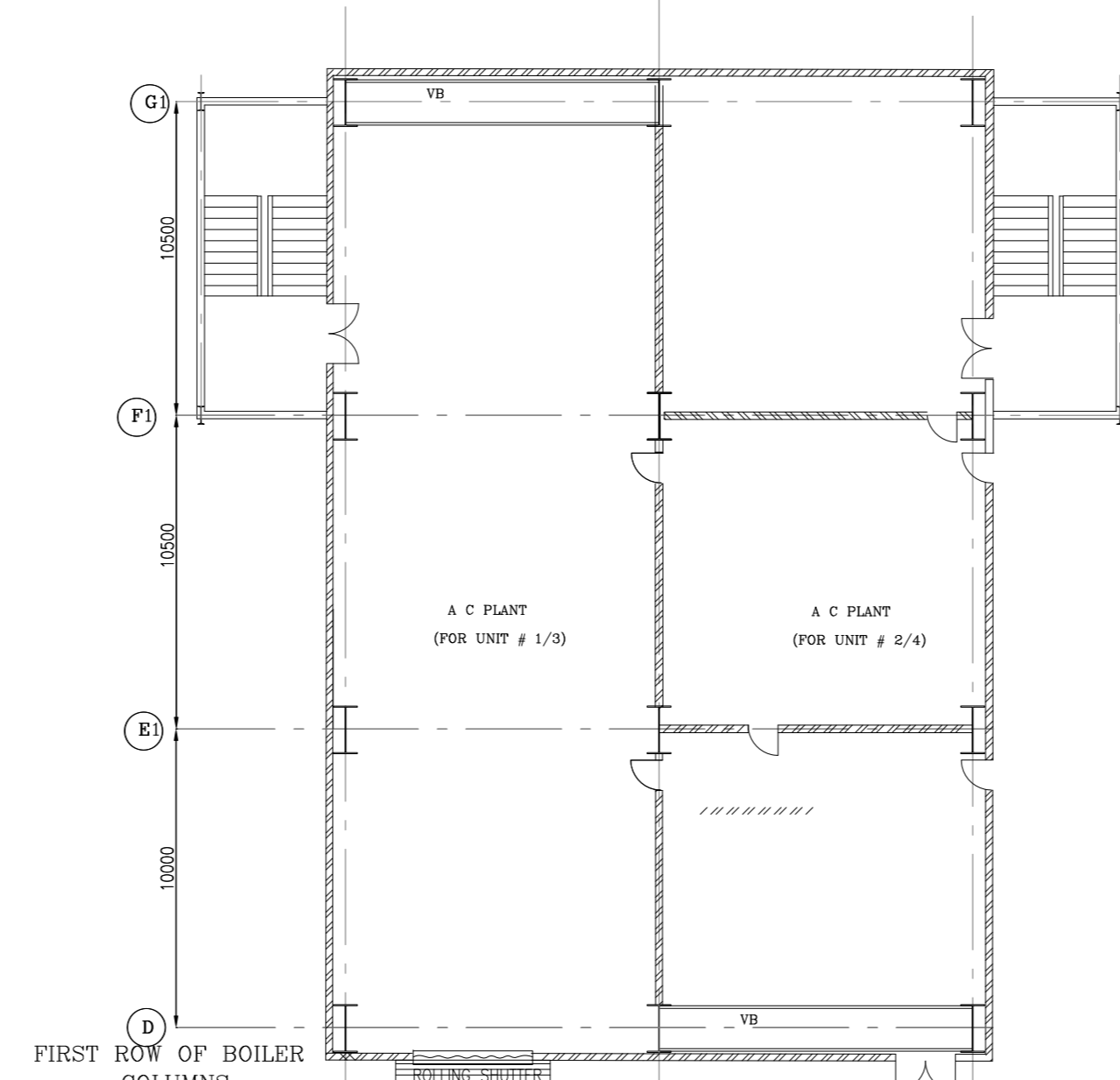
1. ALL DIMENSIONS ARE IN MM'S AND LEVELS ARE IN METRES.
2. ALL ELEVATIONS INDICATED IN THE DRG. ARE W.R.T. POWER HOUSE GROUND FLOOR.
3. DETAILS OF PACKAGES/EQUIPMENTS NOT IN BHHEL SCOPE ARE INDICATIVE.

REFERENCE DRAWING:

- | | |
|---|--------------------|
| 1. EQUIPMENT PLAN AT 8.5M | PE-DG-329-100-M004 |
| 2. EQUIPMENT PLAN AT 17.0M | PE-DG-329-100-M005 |
| 3. EQUIPMENT PLAN AT EL. 24.0, 27.5, 31.75M & 36.0M | PE-DG-329-100-M006 |
| 4. MAIN PLANT (T.G. HALL) CROSS SECTION | PE-DG-329-100-M007 |

LEGEND:

- CHEQUERED PLATE FLOORING
- REMOVABLE CHEQUERED PLATE
- GRATED FLOORING
- REMOVABLE GRATING
- CONCRETE BLOCK
- CUT OUTS
- HAND RAILING
- PARAPET WALL
- GLASS PARTITION
- BRICK WALL / METAL CLADDING



COPY RIGHT AND CONFIDENTIAL
 The information on this document is the property of BHARAT HEAVY ELECTRICALS LIMITED.
 It must not be used directly or indirectly in any way detrimental to the interest of the company.

| REV | DATE | ALTD | CHD | APPD | REV | DATE | ALTD | CHD | APPD | REV | DATE | ALTD | CHD | APPD | REV | DATE | ALTD | CHD | APPD |
|-----|----------|------|-----|------|-----|----------|------|-----|------|-----|----------|------|-----|------|-----|----------|------|-----|------|
| 1 | 06.26.03 | CSF | PKK | SM | 1 | 05.30.10 | RA | CSF | PKK | 1 | 04.27.09 | CSF | PKK | SM | 1 | 02.21.12 | CSF | PKK | SM |
| 2 | 06.26.03 | CSF | PKK | SM | 2 | 05.30.10 | RA | CSF | PKK | 2 | 05.25.10 | CSF | PKK | SM | 2 | 02.21.12 | CSF | PKK | SM |
| 3 | | | | | 3 | | | | | 3 | | | | | 3 | | | | |

| | | | |
|--|--|---|--|
| CUSTOMER JINDAL POWER LIMITED DEVELOPMENT CONSULTANTS PVT. LTD. OP JINDAL SUPER THERMAL POWER PLANT 4 X 600 MW UNITS, TAMNAR, RAIGARH CHATTISGARH | | STATUS CONTRACT | |
| DISTRIBUTION TO: _____ BY: _____ | | REVISIONS 1. REVISED AS PER CUSTOMER COMMENTS DTG 12.08.09 2. GENERALLY UPDATED 3. REVISION MARKED AS | |
| COMPUTER FILE NAME: PE-DG-329-100-M004-R6-R6 | | TITLE: TG EQUIPMENT PLAN AT EL. 0.0M SCALE 1:200 DRAWING No. PE-DG-329-100-M003 SHEET 1 OF 1 REV 6 | |