



Form No:
TD-106-1 REV.1

Ref. Doc:

COPYRIGHT AND CONFIDENTIAL
 The information on this document is the property of **BHARAT HEAVY ELECTRICALS LIMITED.**
 It must not be used directly or indirectly in any way detrimental to the interest of the company.

Concured:
STANDARDS

CONTROLLED COPY

ADAPTER (M 20 X 1.5 L)

1.0 SCOPE

THIS STANDARD COVERS REQUIREMENTS OF ADAPTER FOR TURBINE AND COMPRESSORS PROJECTS. THESE ARE WELDED IN TO THE SOCKETHOLE PROVIDED ON THE LUBE OIL PIPE LINES FOR MACHINE BEARINGS. THE ADAPTER PROVIDS TAPPING CONNECTIONS FOR INSTRUMENTS.

2.0 MATERIAL SPECIFICATIONS

THE RAW MATERIAL SPECIFICATION SHALL BE AS PER ENQUIRY WHICH CAN BE ANY ONE OF FOLLOWING.

2.1 ASTM A 105 (C.S) (CARBON SHALL BE RESTRICTED TO 0.25% MAX.)

2.2 ASTM A 182 F 321 (S.S)

3.0 SIZES AND DIMENSIONS

AS INDICATED IN THE DRAWING

4.0 PROCESS

THESE ITEMS SHALL BE FORGED TO SHAPE MACHINING FROM ROUNDS IS NOT PERMISSIBLE.

5.0 TESTS AND HEAT TREATMENT

TESTS AND HEAT TREATMENT SHALL BE AS PER RELEVANT MATL. STDS. ACCEPTANCE TO ANY DEVIATIONS / OPTIONS SHALL BE OBTAINED FROM PURCHASER.

6.0 THREADING

THREADING SHALL BE AS PER ISO METRIC (LEFT HAND THREAD)

7.0 INSPECTION

THESE ITEMS SHALL BE INSPECTED FOR EXTERNAL DIMENSIONS AND MANUFACTURING DEFECTS BY M/s LLOYDS/M/s IIR

8.0 TEST CERTIFICATES

TEST CERTIFICATES SHALL BE SUPPLIED ALONG WITH SUPPLIES IN TRIPLICATE WITH ONE REPRODUCIBLE COPY WITH M/s LLOYDS / M/s IIR ATTESTATIONS

Revision:

01

Date:

02-08-1992

STD COPIED ON CAD

Issued:

**EDC (INDUSTRIAL TURBINES & COMPRESSORS)
 HYDERABAD**

Prepared: *SBB*
 SBB

Approved: *RBC*
 RBC

Date:

02-08-1992



REV 01

ADAPTER (M 20 X 1.5 L)

9.0 DESIGNATION

9.1 NAME OF THE PART SHALL BE AS BELOW S.S. ADAPTER 3/4" M20 X 1.5L

9.2 MATL. SPN. SHALL BE "TC 5 6218 VAR. NO.03"

10.0 MARKING

EACH ITEM SHALL BE MARKED (BY PUNCH MARKING) GIVING THE FOLLOWING DETAILS

10.1 MANUFACTURERS TRADE MARK

10.2 TITLE AS ADAPTER 3/4" M20 X 1.5L

10.3 TC 5 6218

10.4 VAR NO. XX

10.5 MATERIAL SPECIFICATION

10.6 COMPONENT CODE

10.7 INSPECTION AUTHORITY MARKING

10.8

11.0 PROTECTION

ITEMS SHALL BE PROTECTED FROM RUST PREFERBLY TREATED WITH PLASTIC COATING PEEL-OFF TYPE

12.0 PACKING AND DISPATCH

ALL ITEMS SHALL BE PACKED PROPERLY TO PROTECT FROM MECHANICAL DAMAGE DURING TRANSPORT AND STORAGE

13.0 REFERENCE DRAWINGS

4C-47-9221

Form No:

ID-106-2 REV.1

Ref. Doc:

COPYRIGHT AND CONFIDENTIAL
The information on this document is the property of BHARAT HEAVY ELECTRICALS LIMITED. It must not be used directly or indirectly in any way detrimental to the interest of the company

Controlled:

STANDARDS



PRODUCT STANDARD
INDUSTRIAL TURBINES & COMPRESSORS

TC 5 6218

PAGE: 3 OF 3

No:

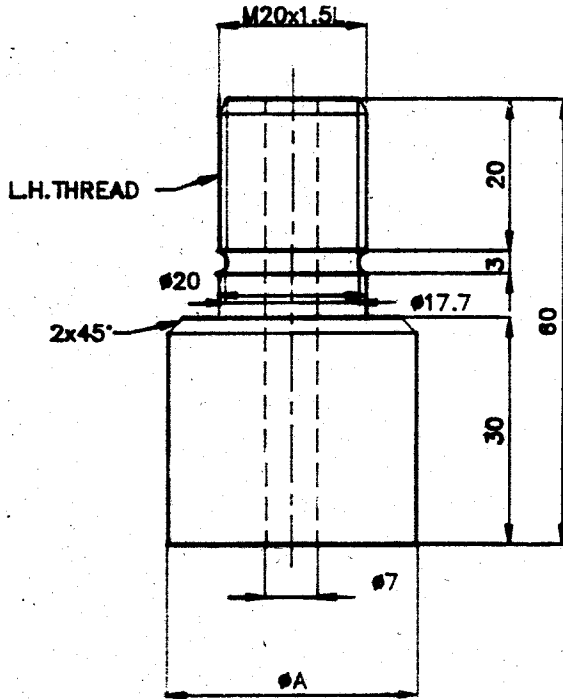
TD-106-2 REV.1

Ref. Doc:

REV 01

ADAPTER (M 20 X 1.5 L)

COPYRIGHT AND CONFIDENTIAL
 The information on this document is the property of **BHARAT HEAVY ELECTRICALS LIMITED.**
 It must not be used directly or indirectly in any way detrimental to the interest of the company



ALL DIMENSIONS IN mm
 WT IN KGS.

VAR NO	SIZE	A	MATL SPN	Wt/ Pc	COMPONENT NEW CODE
					OLD CODE
01	3/4"	26.7	A105	0.18	TC 9756218 010 N 47 11804 40
02	1"	33.4	A105	0.24	TC 9756218 029 N 47 11804 90
03	3/4"	26.7	A182F321	0.18	TC 9756218 037 N 47 11804 70
04	1"	33.4	A182F321	0.24	TC 9756218 045 N 47 11805 00
05	1 1/2"	48.3	A182F321	0.37	

Concured:

STANDARDS