

BHEL	PRODUCT STANDARD	TC 58031
HYD		TURBINES & COMPRESSORS
		REV NO: 00
		PAGE 0 OF 4

PLUG

(FOR INTERNAL REFERENCE ONLY)

REMOVE THIS PREFACE SHEET BEFORE ISSUING TO SUPPLIER

DESIGNATION: Plug to this standard shall be designated as follows:

ON DRAWINGS:

Material specification: TC 58031
Description: Plug
Material code: TC9758031015

ON INDENTS:

Material specification: TC 58031
Description: Plug
Material code: TC9758031015

ON ENQUIRIES & PURCHASE ORDERS:

A copy of this product standard shall be enclosed without preface sheet.

FORMAT TD-201 REV-00	Prepared: DSR <i>la</i>	Approved: DSR <i>la</i>	Date: 15-11-95
REF-DOC	COPYRIGHT AND CONFIDENTIAL		
	The information on this document is the property of BHEL. It must not be used directly or indirectly in any way detrimental to the interest of the company		

BHEL HYD	PRODUCT STANDARD TURBINES & COMPRESSORS	TC 58031
		REV NO: 00
		PAGE 1 OF 4

PLUG

1.0 SCOPE:

This standard specifies the requirement of Plug used in measuring transmitters of bearing pedestal of steam turbine.

2.0 TECHNICAL REQUIREMENTS:

Siemens (KWU) drg No. : 2300166
Siemens (KWU) TIN : A60K42D07
Original supplier : M/S Lemosá
Ordering number : FFA.3E.304.CLAC60
Series : E-Water tight
Size : 3
Contact pin material : Brass-gold plated
Contact bush material : Brass-gold plated
Conn. cross section : Max. 1.5 sq.mm
Size of conn. cable : 5.6 to 6.0mm
Protection class : IP 67
Connection method : Soldering
Operating voltage : 500V (Max.)
Permissible current : 18A (Max.)

3.0 GUARANTEE CERTIFICATE:

A guarantee certificate for 24 months of trouble free operation from the date of shipment or 12 months from the date of commissioning, whichever is earlier, shall be furnished.

4.0 DOCUMENTS:

Technical literature shall accompany the offer.

5.0 PACKING:

The material shall be properly packed to ensure that it is capable of withstanding transit risks without damage.

6.0 MARKING

6.1. A tag bearing the relevant 12 digit material code of BHEL shall be attached for each item.

FORMAT
TD-201
REV-00

Prepared: DSR *ls* | Approved: DSR *ls* | Date: 15-11-95

COPYRIGHT AND CONFIDENTIAL

REF-DOC

The information on this document is the property of BHEL. It must not be used directly or indirectly in any way detrimental to the interest of the company

BHEL	PRODUCT STANDARD TURBINES & COMPRESSORS	TC 58031
		REV NO: 00
HYD		PAGE 2 OF 4

6.2 The following details shall be marked on packing case:

1. Manufacturer's name
2. BHEL order no.
3. BHEL standard no.

7.0 BHEL CODIFICATION: TC 9758031015 (for Variant 01)

FORMAT
TD 202
REV-00
REF-DOC

COPYRIGHT AND CONFIDENTIAL
The information on this document is the property of BHEL. It must not be used directly or indirectly in any way detrimental to the interest of the company

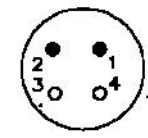
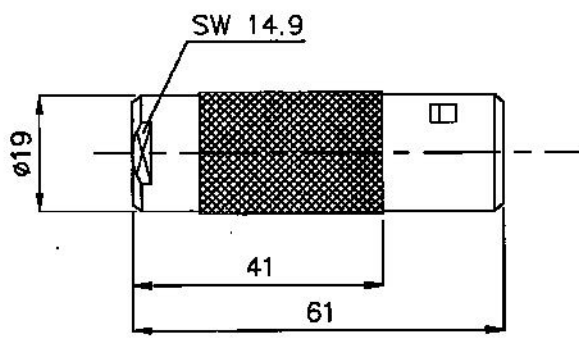


FORM NO.
TD-106-1 REV. 1

REF. DOC:

COPYRIGHT AND CONFIDENTIAL
The information on this document is the property of BHARAT HEAVY ELECTRICALS LIMITED.
It must not be used directly or indirectly in any way detrimental to the interest of the company

CONNECTION DIAGRAM



- PINS
- BUSHES

CONCURRED:	REVISION:	TITLE PLUG	ISSUED: EDC(INDUSTRIAL TURBINES&COMPRESSORS) HYDERABAD	
	DATE:		Prepared: <i>BSR</i>	Approved: <i>BSR</i> EDM(IT & C)

