

BHEL	PRODUCT STANDARD	TC 58032
		REV NO: 01
HYD	TURBINES & COMPRESSORS	PAGE 0 OF 4

CONNECTION BOX

(FOR INTERNAL REFERENCE ONLY)

REMOVE THIS PREFACE SHEET BEFORE ISSUING TO SUPPLIER

DESIGNATION: Connection box to this standard shall be designated as follows:

ON DRAWINGS:

Material specification: TC 58032
Description: Connection box
Material code: TC9758032011

ON INDENTS:

Material specification: TC 58032
Description: Connection box
Material code: TC9758032011

ON ENQUIRIES & PURCHASE ORDERS:

A copy of this product standard shall be enclosed without preface sheet.

FORMAT TD-201 REV-00	Prepared: DSR <i>[Signature]</i>	Approved: DSR <i>[Signature]</i>	Date: 15-11-95
REF-DOC	<p align="center">COPYRIGHT AND CONFIDENTIAL</p> <p>The information on this document is the property of BHEL. It must not be used directly or indirectly in any way detrimental to the interest of the company</p>		

BHEL	PRODUCT STANDARD	TC 58032
		REV NO: 01
		PAGE 1 OF 4
HYD	TURBINES & COMPRESSORS	

CONNECTION BOX

1.0 SCOPE:

This standard specifies the requirement of Conn.box used in measuring transmitters of bearing pedestal of steam turbine.

2.0 TECHNICAL REQUIREMENTS:

Siemens (KWU) drg No. : 2300165
Siemens (KWU) TIN : A60K42D56
Original supplier : M/S Lemosá
Ordering number : SWH.3E.304.CLLPV
Series : E-Water tight
Size : 3
Contact pin material : Brass-gold plated
Contact bush material : Brass-gold plated
Conn. cross section : Not applicable
Size of conn. cable : Not applicable
Protection class : IP 67
Connection method : Not applicable
Operating voltage : 500V (Max.)
Permissible current : 18A (Max.)

3.0 GUARANTEE CERTIFICATE:

A guarantee certificate for 24 months of trouble free operation from the date of shipment or 12 months from the date of commissioning, whichever is earlier, shall be furnished.

4.0 DOCUMENTS:

Technical literature shall accompany the offer.

5.0 PACKING:

The material shall be properly packed to ensure that it is capable of withstanding transit risks without damage.

6.0 MARKING

6.1. A tag bearing the relevant 12 digit material code of BHEL shall be attached for each item.

FORMAT	Prepared: DSR	Approved: DSR	Date: 15-11-95
TD-201			
REV-00	COPYRIGHT AND CONFIDENTIAL		
REF-DOC	The information on this document is the property of BHEL. It must not be used directly or indirectly in any way detrimental to the interest of the company		

BHEL	PRODUCT STANDARD	TC 58032	
HYD		TURBINES & COMPRESSORS	REV NO: 01
			PAGE 2

6.2 The following details shall be marked on packing case:

1. Manufacturer's name
2. BHEL order no.
3. BHEL standard no.

7.0 BHEL CODIFICATION: TC 9758032011 (for Variant 01)

FORMAT
TD 202
REV-00

COPYRIGHT AND CONFIDENTIAL

REF-DOC

The information on this document is the property of BHEL. It must not be used directly or indirectly in any way detrimental to the interest of the company



FORM NO.

TD-106-1 REV. 1

REF. DOC:

COPYRIGHT AND CONFIDENTIAL

The information on this document is the property of BHARAT HEAVY ELECTRICALS LIMITED. It must not be used directly or indirectly in any way detrimental to the interest of the company

CONCURRED:

STANDARDS

REVISION:
01

DATE:

TITLE

BOX

ISSUED:
EDC (INDUSTRIAL TURBINES & COMPRESSORS)
HYDERABAD

Prepared:

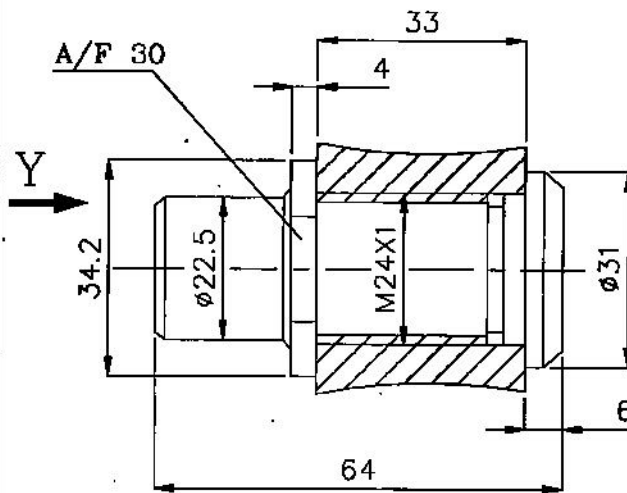
DSM [Signature]

Approved:

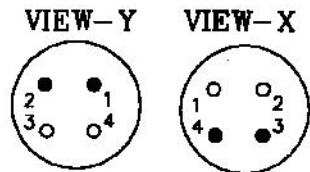
DSM [Signature]
EDM (IT & C)

Date:

15/11/95



CONNECTION DIAGRAM



○ BUSHES
● PINS

