



An ISO 9001
Company

Bharat Heavy Electricals Limited

(High Pressure Boiler Plant)

Tiruchirappalli – 620014, TAMIL NADU, INDIA

CAPITAL EQUIPMENT / MATERIALS MANAGEMENT

ENQUIRY	Phone: +91 431 257 7653	Email : <skaruna@bheltry.co.in>	
	Fax : +91 431 252 0031	Web : www.bhel.com	
TWO PART BID TENDER TO BE SUBMITTED IN TWO PARTS.	Enquiry No: 2621400034	Enquiry Date: 30-07-2014	Due date for submission of quotation: 21-08-2014
You are requested to quote the Enquiry number date and due date in all your correspondences. This is only a request for quotation and not an order. Please note that under any circumstances, both delayed offer and late offer will not be considered. Hence vendors are requested to ensure that the offer is reaching physically at our office before 14.00 hours of the date of tender opening.			

Sl.No	DESCRIPTION OF EQUIPMENT	Qty
10	WALK IN COOLER FOR MEDICAL DRUGS STORES (AS PER BHEL SPECN)	1 No.

IMPORTANT POINTS TO BE TAKEN CARE DURING SUBMISSION OF OFFER:

- 1) BHEL SCOPE OF SUPPLY & SPECIFICATION, QUALIFYING CRITERIA & SKETCH ATTACHED (7 PAGES)
- 2) DELIVERY :- **3 MONTHS** FROM THE DATE OF PURCHASE ORDER.
- 3) DELIVERY TERMS: FOR/BHEL/TIRUCHY-14
- 4) CHECK LIST NO: BND/IND/08 TO BE FILLED AND ATTACHED ALONG WITH YOUR TECHNICAL OFFER FAILING WHICH, THE OFFER WILL NOT BE CONSIDERED FOR OUR EVALUATION.
- 5) Subsequent to the hosting of this Enquiry, any corrigendum to the Enquiry that may be hosted in the BHEL Web-site as well as Government Tenders-portal shall be viewed by the vendors regularly to know the details of corrigendum. In case if any vendor without seeing the corrigendum quoted as per original enquiry and intimate that they have wrongly quoted will not be considered and rejected. However, as per the appropriate policy of BHEL, action will be taken in this regard.

ENCLOSURES:-

- 1) Enquiry Sheet – 2621400034 – 2 pages
- 2) BHEL specification, Qualification Criteria & Sketch attached – 7 pages
- 3) BHEL Commercial terms and conditions vide Check List No. BND/IND/08
- 4) GUIDELINES&INSTRUCTIONS TO BIDDERS FOR SUBMITTING OFFER VIDE. No. MM/CE/GT/001

The above documents can be downloaded from BHEL web site <http://www.bhel.com> or from the Government tender website <http://tenders.gov.in> (public sector units > Bharat Heavy Electricals Limited page) under Enquiry reference " .

Tenders should reach us before 14:00 hours on the due date Tenders will be opened at 14:30 hours on the due date Tenders would be opened in presence of the tenderers who have submitted their offers and who may like to be present

Yours faithfully,
For BHARAT HEAVY ELECTRICALS LIMITED

S. Mudiappan
30/7/2014
Administrative Officer/MM/CE
S. MUDIAPPAN

Administrative Officer
MM / Capital Equipment
BHEL, TRICHY - 620 014



An ISO 9001
Company

Bharat Heavy Electricals Limited

(High Pressure Boiler Plant)

Tiruchirappalli – 620014, TAMIL NADU, INDIA

CAPITAL EQUIPMENT / MATERIALS MANAGEMENT

Special Instructions:

Enquiry No.2621400034 dt. 30.07.2014

- 1) The bidders shall submit the offer in TWO INNER ENVELOPES as indicated below which shall be sealed in one outer envelope.
- 2) ENVELOPE-I This sealed envelope should contain all the copies of technical bid together with un-priced commercial bid. This envelope should be clearly marked "PART-I" Technical and commercial bid indicating Enquiry no. /date and address & Ref. of the bidder.
- 3) ENVELOPE-II This sealed envelope should contain price details. This envelope should be clearly marked PART-II PRICE BID indicating Enquiry no. /date and address & Ref. of the bidder
- 4) Both the envelopes part I and II shall be put in one cover, duly sealed superscribing as PART I and II of Enquiry No. --- due date of the tender opening --- and the from address and ref. of the bidder. The above offer should reach this office on or before the due date by 14.00 hours (IST) Late offers will not be considered.
- 5) Delivery terms: FOR/BHEL/TIRUCHY. Hence Vendor should quote FOR price inclusive of P&F, Freight, transit insurance etc.
- 6) The vendor should clearly mention both in technical as well as price bid the applicable taxes and duties (viz., ED/CST/VAT etc). Please note, we will not give any C-Form (or) VAT declaration form.
- 7) The vendor should confirm the delivery mentioned in the enquiry or indicate the earliest delivery in the technical offer.
- 8) Point by Point confirmation required for BHEL specification along with technical offer by countersigned & officially sealed in token of acceptance of BHEL's specification.
- 9) Vendor should send catalogue of the equipment, if any.
- 10) BHEL's COMMERCIAL TERMS & CONDITIONS FOR INDIGENOUS SUPPLIES - CHECK LIST No: BND/IND/08 Enclosed. Vendor should send the same along with Technical Offer with official signature and seal in token of acceptance.
- 11) Installation, commissioning & demonstration at BHEL/ Tiruchirappalli and vendor should indicate the E&C charges in %age and applicable Service Charges in the price bid as well as unpriced commercial bid clearly
- 12) **WITH REFERENCE TO ABOVE IT MAY PLEASE BE NOTED THAT "THE OFFERS FROM AUTHORISED DEALER / DISTRIBUTOR / AGENT WILL BE ACCEPTED ONLY IF THE DEALER / DISTRIBUTOR / AGENT SUBMITS VALID AUTHORISATION LETTER ISSUED BY THE ORIGINAL MANUFACTURER ALONG WITH TECHNICAL OFFER"**

BHARAT HEAVY ELECTRICALS LIMITED, TIRUCHIRAPALLI

CAPITAL EQUIPMENT /MATERIALS MANAGEMENT

**CHECK LIST FOR ACCEPTANCE OF COMMERCIAL TERMS AND CONDITIONS BY
INDIGENOUS VENDORS**

(This should be essentially filled in and sent along with the techno-commercial offer without fail. If this check list is not filled and submitted along with techno-commercial offer (Part I) or if the vendor does not confirm acceptance to the terms and conditions proposed, the offer is liable for rejection)

(TENDER WITH DIRECT PAYMENT & REQUIRING PBG)

Description of the Equipment:- WALK IN COOLER (AS PER BHEL SPECN)

BHEL Tender No. & Date: 2621400034 DATED 30.07.2014 DUE ON 21.08.2014

PART I of Tender: Technical Bid + Unpriced Bid + this check list

PART II of Tender: Price Bid

ENQUIRY TERMS & CONDITIONS		Vendor's Confirmation
1.0 PRICE BID:		
	Price Bid should contain the schedule of price particulars and to be co-related to the technical details provided in Part I. Techno-commercial bid alone without the Price Bid will be rejected. The prices contracted shall be firm till the execution of the contract in full and in all respects.	Accepted
2.0 VALIDITY:		
	Validity of the offer should be 120 days from the date of tender opening. BHEL reserves the right not to consider offers from vendors with validity less than 120 days from the date of tender opening.	Accepted
3.0 RELEASE OF PURCHASE ORDER:		
	Purchase Orders will be released separately for supply and service portion on the successful vendor.	Accepted
4.0 PAYMENT TERMS:		
	For SUPPLY P.O.: 80% payment of Supply P.O. value shall be made within 45 days from the date of receipt of material at BHEL. For BALANCE OF SUPPLY P.O. & SERVICE P.O. Balance 20% of Supply value will be paid after acceptance against submission of Performance Bank Guarantee (PBG) of 10% value of PO along with Commissioning report.	Accepted
4.1 Bank Guarantee and Loading against non acceptance of BHEL's Payment Terms:		
	If any Bidder requires a payment exceeding 80% of the PO value, such bidder have to submit Advance Bank Guarantee (ABG) in the prescribed Format for the amount over and above 80% but restricted to 90% of the PO value, along with the invoice / despatch documents. This ABG shall be valid up to the date of Final Minutes of Meeting for E&C for the equipment. Additionally, for any deviation sought including as mentioned above, in Payment Terms by bidder w.r.t. tender conditions, the following loading pattern shall be followed: Benchmark Prime Lending Rate (BPLR) of SBI as applicable on the scheduled date of tender opening + 2%, for the amount & period of relaxation sought by bidder.	Accepted
5.0 Value for Erection & Commissioning at BHEL:		
	Erection & Commissioning (E&C) value will include services to be rendered at BHEL like erection, commissioning, job proving, training to operators, supervising foundation work etc. (to be together called as E&C). E&C is in the scope of supplier, and hence the E&C value should be quoted separately.	Accepted
	E&C value should be quoted separately by Bidders. Only in case where quoted value is less than the minimum value indicated below or separate E&C values are not mentioned in the offer, value for E&C portion shall be deemed to be considered as the value indicated below and accordingly supply value will be adjusted from that quoted value and the balance will be released as E&C payment. The bidder, however, can choose to quote the E&C value higher than the below mentioned minimum E&C value (%) and suitably apportion the supply value.	Accepted

COST OF ERECTION & COMMISSIONING PORTION QUOTED BY VENDOR (%) - (Should be equal to or more than 5%) Please indicate in your price bid as well as unpriced commercial bid clearly.	Accepted
6.0 Taxes & Duties: All Taxes, Duties, Service Taxes etc. payable as extra to the quoted price should be specifically stated in offers along with CST & TIN No / Tariff No. etc., failing which BHEL will not be liable for payment of such Taxes and Duties. BHEL TIN No. , CST No. ECC No. IE Code and Assessment circle for Bhandara will be notified at the time of ordering. In case taxes and duties are indicated as inclusive in the quoted prices, it will be reimbursed only upon furnishing the documentary evidence for having paid such taxes and duties. Any difference in taxes (on account of reduction in the levies) between what has been paid by BHEL to the vendor (based on what has been indicated in the Purchase Order) and actually paid by vendor should be passed on to BHEL..	Accepted
7.0 Delivery terms, Delivery period required and evaluation process:	
7.1 Delivery terms: FOR BHEL, HBPB, TIRUCHIRAPPALLI, TAMILNADU.	Accepted
Basis of Delivery Terms :	
Price break-up details like Basic price, P&F, Taxes & Duties, Freight and Insurance etc., should be indicated in the offer.	Accepted
7.2 Delivery period: The equipment enquired forms a part of an expansion program (Scheme) and the delivery period mentioned below has been derived keeping in view of the Scheme completion date. Vendor shall comply with this required period.	
Bidder should quote time period separately for 'Supply' and 'E&C' of equipment.	
(a) Supply period :- For Supply portion, duration shall be counted from the date of Purchase Order. Vendors are required to indicate the best delivery period i.e., time period required for dispatch (LWB date) from the date of Purchase Order in the "Vendor's confirmation" below. Order acceptance, submission of drawings etc., should not be linked to the delivery period.	Accepted
DELIVERY PERIOD (in months) REQUIRED BY BHEL (SUPPLY PORTION)	3 months
DELIVERY PERIOD (in months) OFFERED BY VENDOR (SUPPLY PORTION)	
(b) E&C period :- Duration shall be counted from the date of intimation by BHEL to vendor for deputation of their Engineers for E&C.	10 days
E & C PERIOD (in months) OFFERED BY VENDOR (E & C PORTION)	
However, while evaluating the offers, those offers which are not conforming the requested delivery period, COMMERCIAL LOADING @ ½% of the purchase order value per week will be done for the EXTRA PERIOD requested. For evaluation purpose 4 weeks will be considered as one month. Commercial loading on the offered price will be done during evaluation of the offers	
BHEL reserves the right to accept an offer not meeting the NIT / Enquiry delivery. However based on the scheme requirement, the Technically Suitable offerers would be requested to reduce their offered delivery schedule and in case if it is not meeting BHEL requirement or maximum limit considered by the Technical Committee, the offer may become liable for rejection.	Accepted
8.0 PERFORMANCE BANK GUARANTEE (PBG):	
The vendor shall submit a Performance Bank Guarantee (PBG) for 10% of the Purchase Order value in the format enclosed covering the agreed Guarantee period (with additional 2 months as claim period).	Accepted
PBG shall be issued exactly as per the BHEL Format attached with this Tender (without any deviation) by any one of the Consortium Banks of BHEL (List Enclosed) or from a reputed Bank and confirmed by any Consortium Bank of BHEL.	
All bank charges incurred on account of issuance of PBG will have to be borne by the vendor.	
1) It should be typed in the INR 100 value of stamp paper.	Accepted
2) It should be signed by TWO bank officials with Rubber stamp containing names & employee numbers of bank officials.	
3) It should be submitted with bank covering letter with sign and seal of the bank official.	
Offers from vendors not accepting to submit PBG are liable for rejection.	

9.0	<p>LIQUIDATED DAMAGES (LD): LD not applicable for E&C portion.</p> <p>a) LD for delay in 'Supply' and/or 'E&C' will be applicable to the delays attributed to vendor. LD will be considered separately for 'Delivery' and 'E&C'. The rate of LD for delayed Supply shall be @ 0.5% per week of delay of total PO value (Supply + E&C) in supply subject to a maximum of 10% of total PO value (Supply + E&C). The rate of LD for delayed E&C shall be @ 0.5% per week of delay of total PO value (Supply + E&C) in E&C subject to a maximum of 10% of total PO value (Supply + E&C). Maximum LD for delay in Supply and E&C together shall be limited to 15% of total PO value (Supply + E&C). In case PO includes more than one machine, the LD will be levied @ 0.5% per week of delay on PO value (Supply + E&C) for each individual machine.</p> <p>b) For the purpose of LD for delay E&C of the equipment the duration will be reckoned from the date of intimation by BHEL to vendor for readiness of site. c) Loading on account of non-acceptance of LD for delayed Supply and/or E&C shall be as under: In case any bidder is not accepting the above LD for delayed Supply and/or E&C, the offer of bidder shall be loaded to the extent to which it is not agreed by the bidder.</p> <p>d) Supply period indicated by bidder should include reasonable time required for approval of drawings and other inputs from BHEL. In the Techno-Commercial Bid, the bidder shall submit milestones for various activities in co-relation with Supply and E&C period quoted by him. For the purpose of levying LD, the date of shipment (LWB date) will be considered.</p> <p>Loading Factor for non-acceptance of LD clause for delayed Supply and/or E&C: In case any bidder is not accepting the above LD clause for delayed Supply and/or E&C, the offer of bidder shall be loaded to the extent to which it is not agreed by the bidder .</p>	Accepted
10.0	<p>SHORT SUPPLY / WARRANTY REPLACEMENT:</p> <p>In case, any shortage is noticed vis-a-vis PO requirement in the main equipment / spares, such shortages shall be replenished by supplier on FOR destination basis without any cost implication to BHEL for such short supplies shall be borne by the supplier. Warranty Replacements during Guarantee period at supplier's cost on FOR BHEL Works basis.</p>	Accepted
11.0	<p>RISK PURCHASE:</p> <p>If the supplier fails to deliver the goods within the delivery specified in the Purchase Order, BHEL will be entitled to terminate the contract and to purchase elsewhere at the risk and cost of the supplier either the whole of the goods or any part which the supplier has failed to deliver or dispatch within the delivery period mentioned in the Purchase Order. BHEL reserves the right not to consider offers from vendors not accepting the above Risk Purchase terms.</p>	Accepted
12.0	<p>GUARANTEE:</p> <p>Vendors shall provide a guarantee for 12 months from the date of commissioning of the equipment or 18 months from the date of supply, whichever is earlier. The date of LWB shall be taken as the date of supply. Offers from vendors not accepting to the requested guarantee period are liable for rejection.</p>	Accepted
13.0	<p>REVERSE AUCTION (RA):</p> <p>BHEL reserves their right to conduct on-line internet Reverse Auction for finalizing the Tender. This decision will be communicated to the technically qualified vendors after technical evaluation. Details / General terms / guidelines for conduct of RA have been given in the 'General guidelines & instructions to bidders' enclosed as a part of NIT / Enquiry. Vendors are requested to confirm their acceptance for BHEL proceeding with RA route for finalization of the enquiry. BHEL reserves the right not to consider offers from vendors not accepting to the RA process for finalization of the enquiry.</p>	Accepted
14.0	<p>CONTACTS:</p> <p>Details of contact person's name, designation, department with complete postal and email address along with phone and fax numbers to be mentioned</p>	

Name:	
Designation:	
Email ID:	
Phone No.:	
Mobile No.	
Fax No.:	
Address:	
Weight & Cubage of package:	
Approximate Net weight of the total consignment:	
Approximate Gross weight of the total consignment:	
Approximate volume of the total consignment:	
The vendor to provide Business Information Report (BIR) incorporating the rating of the company by international credit rating agencies, viz., DUNS number of M/s DUN & Bradstreet (D&B) etc.	
We have gone through and understood the 'General guidelines & instructions to bidders for submitting offer' enclosed as a part of the NIT / Enquiry and confirm that our offer has been made in line with the same and the confirmations given in the above checklist supercede any other standard information provided in our quotation.	
Signature with date: _____ (AFFIX OFFICIAL SEAL HERE)	
Name: _____	
(PLEASE AFFIX YOUR SIGNATURE WITH SEAL ON EACH PAGE)	

SPECIFICATION FOR WALK IN COOLER FOR MEDICAL DRUGS STORES**SCOPE OF SUPPLY & SPECIFICATION**

QUALIFICATION CRITERIA		
Sl.No.	Description	Vendor to specify details
1	Only those vendors, who have experience and carried out the following activities are eligible to participate in the tender.	
1.1	Supplied and commissioned new WALK IN COLD ROOM for at least two companies in the past 5 years and such WALK IN COLD ROOM should be working satisfactorily for a minimum period of one year after completion of commissioning as on the date of opening this tender.	
2	The vendor should submit the following details which are necessary for qualifying their offer.	
2.1	Name and Postal address of the customer/company where WALK IN COLD ROOM supply and commissioning has been done	
2.2	Name and designation of the contact person of the customer	
2.3	Phone, Fax no. and email address of the contact person of the customer	
2.4	Month and year of commissioning	
2.5	Along with Technical offer vendor must submit one performance certificate from the customer for the satisfactory performance of the above item supplied to them.	
2.6	BHEL reserves the right to verify the information provided by vendor. In case the information provided by vendor is found to be false / incorrect , the offer shall be rejected.	

WALK IN COLD ROOM FOR BHEL HOSPITAL , FOR STORAGE OF MEDICINES: - QTY. 1 NO.			
DESIGN , SUPPLY , INSTALLATION , TESTING AND COMMISSIONING OF " WALK IN COLD ROOM " TO CONFIRM THE FOLLOWING SPECIFICATION			
SL.NO	PARAMETER	SPECIFICATION	VENDOR'S CONFIRMATION
1	Room size (External)	2.74 m (W) x 2.74 m (D) x 2.44 m (H)	
2	Construction & Insulation of side and top walls of the room	Panel Inside sheet should be not less than 0.4 mm thickness stainless steel SS304 Grade and Panel Outside sheet should be not less than 0.5 mm thickness Pre Painted GI sheet , surface treated and finished to suit all weather and aesthetic requirements. Insulation core in between the inside and outside sheets, shall be sturdy/rigid PUF 60 mm (Density-40 kg./cubic meter) panels.	
3	Construction & Insulation of the Floor	Floor shall be 60 mm PUF slabs with Marine plywood and Aluminum checkered sheet finished.	
4	Products stored	Medicines and vaccines	
5	Frequency of Cold Room Door opening in a day	Maximum 20 times	
6	Ambient Temperature	+ 42 Degree C (Max)	
7	Room Temperature to be maintained	+ 2 Degree C (Temperature shall be set to required value from +2°C to +20°C. Digital temperature indicator is required. Microprocessor based temperature controller shall be provided.)	
8	Room Internal lighting	Vapor proof LED lighting with suitable intensity required for the room shall be provided.	

SL.NO	PARAMETER	SPECIFICATION	VENDOR'S CONFIRMATION	DEVIATION IF ANY
9	Cold Room door	PUF/Flush In type with 36 inch width x 78 inch height (nearest size acceptable) clear opening 1 No. door is required with following accessories. Flush type door with Posy seal door closer. Positive cam lift hardware. Vinyl wiper gas cut with SS bracket at bottom of door. Safety release exit device for opening door from inside. Lock arrangement from outside. Metallic cam lock. FRP door perimeter Radium reflector door handle on inside Heavy duty SS door hinges. Anti-Condensation heater.		
10	Refrigeration units	Capacity - Minimum 18000 BTU / Hr. per unit. Number of units required - 2 (TWO) (1 No. 100% standby)		
11	Compressor MAKE	EMERSON / COPELAND / DANFOSS / KIRLOSKAR COPELAND.		
12	Compressor Type	Energy efficient scroll type		
13	Condensing unit	Air cooled type, sleek design, powder coated body, inner grooved copper tubes and slit aluminum fins, permanently lubricated and thermally protected fan motor, energy efficient scroll compressor, safety and control devices protect system and weather proof polyester powder coated canopy.		
14	Evaporating unit	Compact, slim, sleek in size, occupying minimum space, Stainless steel body with corrosion resistance, inner grooved copper tube, external rotor driven fan having low noise levels and conform to IP 45 standards and removable side panels for easy service.		
15	Total Power consumption	To be specified by vendor in KW		
16	Expansion valve	DANFOSS / SPORLAN equivalent make		
17	Drier	DANFOSS / SPORLAN equivalent make		
18	Refrigerant	Eco friendly gas / R22		
19	Copper pipe for Refrigerant gas	24 Metres		
20	Copper pipe for Refrigerant liquid	24 Metres		

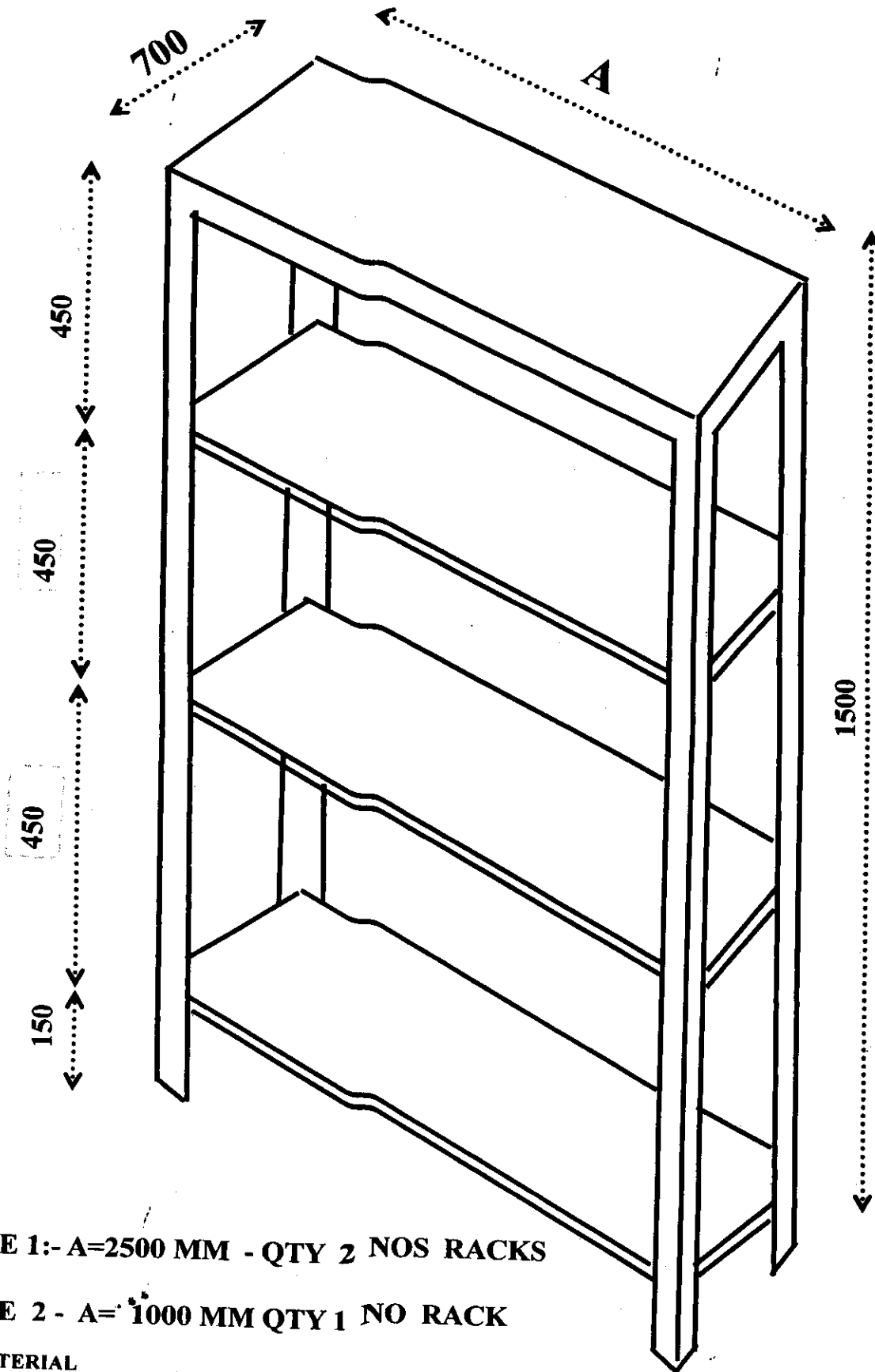
4/7

SL.NO	PARAMETER	SPECIFICATION	VENDOR'S CONFIRMATION	DEVIATION IF ANY
21	Temperature controller with Digital display make	CARREL / DIXEL equivalent make		
22	Heavy duty PVC pipe (not less than 35 mm dia) for sweating water drainage line	10 metres		
23	Interconnecting flexible electrical cable (copper cable) between Indoor and Outdoor units	24 metres		
24	Voltage stabilizer	Maintenance free Voltage Stabilizer "V-Guard" equivalent make 5 KVA capacity, Double booster type- shall be provided — 1 for each unit. Total 2 Nos.		
25. The following safety and inter locking circuits shall be incorporated				
A	HP / LP trip			
B	Over load protection for compressor trip			
C	Anti freeze cut out			
D	Compressor thermal cut out			
26	Spares requirement	List of spares required for two years trouble free operation with price list		

SL.NO	PARAMETER	SPECIFICATION	VENDOR'S CONFIRMATION	DEVIATION IF ANY
27	Supply of stainless steel racks	As per enclosed sketch. Size 1 = 2 Nos. racks Size 2 = 1 No. rack		
28. TERMS & CONDITIONS				
01		Supplier should submit their offer for the COLD ROOM along with catalogue consisting of details like specification, wiring diagram, make, model, weight of unit, power rating, consumption, input power supply requirement, Air flow, temperature controller, along with the catalogue of various bought out components fixed in the cold room. Offers without catalogue and technical details are not acceptable		
02		Vendors should submit the details of their earlier supply of such cold storages and their service back after sale of the unit they quoted to consider their offer.		

S NO	SPECIFICATION	VENDOR'S CONFIRMATION	DEVIATION IF ANY
03	Minimum one year guarantee required for their equipment including refrigerant gas charged in the equipment from the date of commissioning.		
04	Necessary tools and tackles required for this work are in the supplier's scope of work		
05	Making necessary opening in the wall for laying copper piping, drain pipe, cable etc., supply and fixing of suitable PVC pipes in the wall and closing rear end of PVC pipes suitably to avoid entry of insects & rain water. These works are in the supplier's scope of work.		
06	Walk in cold room operation and maintenance manual 3 Nos. required along with equipment		
07	Pre dispatch inspection will be done by BHEL at supplier's works		
08	Minimum three free checkup and service to be done by the supplier during the guarantee period.		
29	Vendor to specify the work/requirements to be carried out by BHEL for erection & commission of the equipment.		

WALK IN COLD ROOM STORAGE RACK DETAILS



SIZE 1:- A=2500 MM - QTY 2 NOS RACKS

SIZE 2 - A= 1000 MM QTY 1 NO RACK

MATERIAL

- 1. SHEET 1.6 MM THICK SS 304 GRADE
- 2. ROUND/ SQUARE PIPE 50 MM DIA 16 SWG SS 304 GRADE WITH ADJUSTABLE NYLON BOOTS

ALL DIAMENTIONS ARE IN MM