



BHEL GOINDWAL

TERMS AND CONDITIONS FOR  
(Tender Enquiry No.1415-149 Dated 20.12.2014)  
Item: Springs

DUE DATE OF OPENING: 03.01.2015

1. INVITING TENDERS

Tenders in two part bids are invited for items in Annexure.

Sealed tenders in two parts; Part-I: Techno-commercial bid and Part-II: Price bid are hereby invited for supply of **Springs** as per BHEL Drawings/ TDCs and other technical documents referred in these documents. The relevant documents are attached with the Enquiry.

For manufacturers-

Procurement shall be preferred from manufacturers. In case manufacturer insists on engaging a dealer/ agent, such dealer/agent is not allowed to represent more than one manufacturer.

For dealers-

In case of dealers/agents, Authorized dealer certificate is required from original manufacturer. In case bids are received from dealer/agent and manufacturer both, bid submitted by dealer will be rejected. A dealer representing more than one manufacturer will be rejected, kindly quote for single make only.

The two bids should be submitted in **separate sealed inner envelopes** duly mentioning the detail as follows:

Bid	Bid description	Superscribing on envelope	*** Should contain ***
Part I in First sealed envelope	Techno-Commercial Offer	Part-I (Techno-Commercial) bid against tender enquiry no: 1415-149 dated 20.12.2014 due for opening on 03.01.2015	Acceptance of all terms and conditions of tender enquiry. (Preferred is submitting signed copy of terms and conditions; if nothing is mentioned for any term, it shall be summarily concluded that the same is acceptable and no representation whatsoever shall be entertained later on). <b>Un-priced bid as per format attached. All details, i.e. whether quoted for item, duties and taxes etc. should be filled.</b>
Part II in Second sealed envelope	Price Bid	Part-II (Price) bid against tender enquiry No: 1415-149 Dated: 20.12.2014	<b>Price bid in the format attached.</b> Preferably the price bid envelop should contain ONLY the price bid. Further, if even the same conditions are mentioned in the Part-II, but after scrutiny of Part-I, the bidder has agreed to BHEL terms, the same shall be binding and any such condition found in Part-II shall in no case be discussed. <b>Rates should be mentioned in words as well as in figures.</b> Anything other than price mentioned in the price bid shall be considered invalid. Quoted prices should be on FOR Goindwal basis.

Both the sealed envelopes should be put in outer sealed envelope superscribing all details i.e. Enquiry Number, Date, Supplier's Name and Address and Item.

Time of submission by 1500 Hrs on Due Date. Time of Techno-Commercial bid (Part I) opening is 1530 Hrs on due date. Based on evaluation of techno-commercial offers, Price bids of bidders who qualify from techno-commercial evaluation shall be opened. BHEL may decide to open the Price bid same day at 1700 hrs. If not

Handwritten signature and date: 20/12/14



BHEL GOINDWAL

TERMS AND CONDITIONS FOR  
(Tender Enquiry No.1415-149 Dated 20.12.2014)  
Item: Springs

opened on the same day, all qualifying bidders shall be notified for date of opening of Price bids.

Sealed Tenders can be dropped in the tender box labeled as 'Tender box for MM contracts'. This tender box is located at the entrance of Admin block BHEL Goindwal. Fax (01859-222061) / E-Mail (tendermm@bhelivp.in) offers received in time shall be considered only when such offers are complete in all respects.

**2. VALIDITY OF OFFERS:**

The offers shall be kept open for acceptance for **60** days from the date of opening of the tender. In case of extension of tender opening date, the validity shall be suitably revised.

**3. SCOPE OF SUPPLY**

Material shall be supplied as per the applicable latest Technical Delivery Conditions (TDC)/ Material Standard requirements/BPS/Drawing and other requirement as given in the Tender Enquiry. National & International material Standards shall have to be arranged by vendors themselves. +/- 10 % qty variation is acceptable for item SL No 1.

**4. REPLACEMENT OF REJECTION:**

If the material is rejected due to defective workmanship during inspection or at the time of actual use, within the guarantee period (i.e. as per clause 11), the rejected material shall be replaced by the supplier. Corresponding quantity shall be treated as unsupplied against respective purchase order till replacement is received at BHEL. If the material is found defective and rejected during use for which payment has already been released the rejected quantity shall be supplied free of cost by the vendor within a month of intimation of the rejection by BHEL.

**5. DELIVERY SCHEDULE:**

Supplies shall be affected and completed as per schedule mentioned in the POs. **Within two months from date of PO. Further, BHEL may release delivery schedule from time to time based upon our requirement.** Vendor shall be required to complete the order as per the BHEL schedule requested.

**6. ACCESS TO MANUFACTURING PREMISES:**

While Purchase Orders placed on the vendor are under execution, authorized representatives of BHEL shall be allowed free access to the manufacturing facilities for the purpose of inspection or monitoring the progress of purchase orders. This access will also be extended to representatives of BHEL's customers accompanying the authorized representative/s of BHEL (which shall be intimated in advance), if our contractual requirements with our customers call for the same.

**7. TERMS OF PAYMENT:**

- a. Due payment against supplies received shall be due after 30 days of receipt and acceptance of material and shall be paid within next 15 days period. In case of any deviation from standard payment term mentioned, BHEL at it's discretion may load on the item price at "Base rate of SBI (as applicable on the date of bid opening; Techno-commercial bid opening) + 6% shall be considered for loading for the period of relaxation sought by bidders.
- b. Documents to be submitted
  - i. Commercial invoice (in duplicate)

*Handwritten signature and date: 20/12/14*



BHEL GOINDWAL

TERMS AND CONDITIONS FOR  
(Tender Enquiry No.1415-149 Dated 20.12.2014)  
Item: Springs

- ii. Excise invoice (in duplicate) valid for claiming CENVAT credit
  - iii. Original VAT invoice valid for claiming input tax credit, if applicable
  - iv. Material Test Certificates (MTC) and
  - v. Compliance Certificate.
- c. Above documents should include your Registration numbers such as ECC no, PAN no, CST no, TIN/ VAT nos. etc.
- d. It is mandatory to mention proper material codes in the invoices and separate invoices to be raised for different POs.
- e. **BHEL releases payment through EFT mode ONLY. Necessary details may please be submitted by filling required format before release of payment.**

**8. INSPECTION:**

1. All required tests shall be carried out by vendor at no extra cost. Relevant TCs shall accompany the consignment. **BHEL may decide to inspect itself/arrange third party at vendors' works itself as and when necessary with prior intimation to the vendor.** No additional charges shall be claimed for such inspections.
2. **Vendor will give inspection call sufficiently in advance considering the delivery period stipulated in the purchase order.**
3. Material Test Certificates (MTC), Inspection reports and Compliance/Guarantee Certificate are to be provided along with the supplies.
4. Latest applicable revisions of standards/procedures to be referred.
5. Any inspection carried out before supply by vendor/incoming stage at BHEL notwithstanding, if any defect/non-conformity is noted during processing, the same shall be attended/replaced by vendor at no extra cost.

**9. PREFERENCES FOR MSE's:**

Preferences as mentioned in "Public Procurement Policy for Micro and Small Enterprises (MSEs) Order, 2012" shall be given to Micro and Small enterprises.

Main points which are mentioned in the above order are as follows:

- 20% Procurement of the tender value shall be made from MSE (Micro, Small Enterprises) firms.
- 4% from the above mentioned 20% procurement quantity shall be procured from MSE's owned by SC /ST's. Failure to participate by any MSE owned by SC/ST's this 4% quantity shall be procured from other MSEs.
- EMD shall be exempted for MSE's. All these benefits are subject to production of all statutory documents
- In tender, participating Micro and Small Enterprises quoting price within price band of L1+15 per cent shall also be allowed to supply a portion of requirement by bringing down their price to L1 price in a situation where L1 price is from someone other than a Micro and Small Enterprise and such Micro and Small Enterprise shall be allowed to supply up to 20 per cent of total tendered value. In case of more than one such Micro and Small Enterprise, the supply shall be shared proportionately (to tendered quantity).

**"MSE suppliers can avail the intended benefits only if they submit along with the offer, attested copies of either EM II certificate having deemed validity (five years from the date of issue of acknowledgement in EM II) or valid NSIC certificate or EM II certificate along with attested copy of a CA certificate (Format enclosed at**

*Handwritten signature and date: 20/12/14*



BHEL GOINDWAL

TERMS AND CONDITIONS FOR  
(Tender Enquiry No.1415-149 Dated 20.12.2014)  
Item: Springs

Annexure -1 where deemed validity of EM II certificate of five years has expired) applicable for the relevant financial year (latest audited). Date to be reckoned for determining the deemed validity will be the date of bid opening (Part 1 in case of two part bid). Non submission of such documents will lead to consideration of their bid at par with other bidders. No benefit shall be applicable for this enquiry if any deficiency in the above required documents are not submitted before price bid opening. If the tender is to be submitted through e-procurement portal, then the above required documents are to be uploaded on the portal. Documents should be notarized or attested by a Gazetted officer.”

**10. LOADING CRITERIA**

Loading of item SI No 1 shall be below para:

1. Tender quantity shall be divided in the proportion 80:20 (80% for L1 and 20% for MSE's) in case the L1 vendor is not a MSE subject to following conditions:

I. In tender, participating Micro and Small Enterprises quoting price within price band of L1+15 per cent shall also be offered 20% quantity of tender quantity at L1 price in a situation where L1 price is from someone other than a Micro and Small Enterprise. In case of more than one such Micro and Small Enterprise, the supply shall be shared equally. If there are more than one MSE in the price band of L1+ 15% to whom the offer has been sent and some of them reject the offer then the remaining quantity shall be distributed equally to the MSEs accepting L1 prices.

II. 20% from the 20% quantity (i.e. 4% of the tender quantity) offered to the MSE's shall be reserved for MSE's owned by SC/STs. In event of failure of such Micro and Small Enterprises to participate in tender process or meet tender requirements and L1 price, 4 per cent quantity for Micro and Small Enterprises owned by SC/ST entrepreneurs shall be met from other Micro and Small Enterprises.

III. In case any MSE vendor does not accept the counter offer, the above mentioned 20% quantity shall be offered to L1.

IV. If there is no MSE in the Price band of L1+15% then the 20% quantity shall be offered to L1 vendor.

V. If other suppliers (other than L1) are not under MSE then 100% qty will be offered to L1 supplier.

2. In case if the L1 vendor is MSE then quantity shall be provided as 96 % for L1, and 4% tender quantity shall be offered to the MSEs owned by SC/ST's in the price band of L1+15%. In event of failure of such Micro and Small Enterprises to participate in tender process or meet tender requirements and L1 price, 4 per cent sub-target for procurement earmarked for Micro and Small Enterprises owned by SC/ST entrepreneurs shall be met from L1 vendor.

3. In case the L1 vendor is a MSE owned by a SC/ST then the 100% qty will be offered to L1 supplier.

All above offered qty are subject to acceptance of L1 rates.

In case of non- acceptance of counter offer by any vendor after above applicable provisions the whole quantity would be offered to L1 vendor.

This ratio can be altered in case of any failure on part of L1 regarding delivery commitment/quantity/quality of material.

All above mentioned preferences shall be given to MSEs and SC/STs only on the submission of documentary evidence.

Item sl No 2 shall not be divided.

Handwritten signature and date: 20/12/14



BHEL GOINDWAL

TERMS AND CONDITIONS FOR  
(Tender Enquiry No.1415-149 Dated 20.12.2014)  
Item: Springs

**11. GUARANTEE:**

Vendor shall give a guarantee of 18 months from the date of dispatch or 12 months from date of receipt, against manufacturing defects, whichever is earlier. In case of non-acceptance of this term bid will be rejected.

**12. PENALTY FOR LATE DELIVERY:**

'Time is the essence of the contract'. As such, delivery of goods specified in the Purchase Orders released under the scope of this contract shall be made within the time limit prescribed therein. Penalty for late delivery will be applicable @ 0.5% per week or part thereof subject to a maximum of 10.0 %.

If any vendor does not accept LD ½% of the supply for each week of delay subject to a maximum of 5%, their offer is likely to be rejected by BHEL and the price bid shall not be opened. Bidders accepting for 10% LD shall not be loaded on account of LD. However bidders who offer any other % LD [between 5% to 10%] shall be loaded @ % deviation from 10% and their accepted %.e.g. If a bidder accepts for a max of 7% LD only, their offer would be loaded @ 3% (10 - 7 = 3).

BHEL reserves the right to receive or not receive the material after the due date of PO.

**13. RISK PURCHASE:**

BHEL shall be entitled to terminate the contract/pending POs at any stage and to purchase elsewhere at the risk and cost of the vendor, either the whole of the goods or any part thereof which the supplier has failed to deliver or dispatch within the time stipulated as aforesaid. Vendor shall be liable for the losses, which BHEL may sustain by way of such risk purchase in addition to aforesaid penalty for delayed delivery.

**14. SUB-CONTRACT:**

The purchase order or any part thereof shall not be sub-contracted, assigned or otherwise transferred without previously obtaining the BHEL's consent in writing.

**15. FORCE MAJEURE:**

If at any time during the continuance of the contract, the performance in which or in any part by either party of any obligations under the contract are prevented or delayed by reason of any war, hostilities, acts of public enemy, civil commotion, sabotage, fires, explosions, epidemics, quarantine restrictions, or acts of God (hereinafter referred to "an events" then provided the notice of happening of any such event is given by either party to the other within 21 days of the occurrence thereof, neither party shall by reason of such event be entitled to terminate the contract nor shall either party have any claim for damages against the other in respect of such non-performance and delay in performance and delivery under the contract shall be resumed as soon as practicable after such event has come to an end or ceased to exist. If the performance in whole or part of any obligation under the contract is prevented or delayed by reason of any such event, claims of extension of time shall be granted for periods considered reasonable by BHEL subject to prior notification by the vendor to BHEL of the particulars of the event and supply to BHEL, if required, of any supporting evidence. Any waiver of time in respect of partial installment shall not be deemed a waiver of time in respect of remaining deliveries.

**16. DISPUTES:**

Handwritten signature and date: 12/14



BHEL GOINDWAL

TERMS AND CONDITIONS FOR  
(Tender Enquiry No.1415-149 Dated 20.12.2014)  
Item: Springs

In the event of any dispute and/or difference arising between the Vendor and BHEL as to interpretation and/or execution of the contract and/or the respective rights and liabilities of the parties, such disputes and/or differences shall be referred to the sole arbitrator nominated by BHEL. The provisions of the Indian Arbitration Act and the rules there under shall apply to such arbitration. The award passed by the arbitrator shall be final and conclusively binding on all the parties.

**17. JURISDICTION:**

The court of the place from where the purchase order is issued during the contractual period shall alone have jurisdiction to decide any dispute arising out of or in connection with the purchase order.

**18. MSME Certification:**

If the bidder is registered as any of Micro/Small/Medium enterprise as defined in Micro Small and Medium Enterprises Development Act, 2006; a copy of registration certificate to be attached.

**19. CLARIFICATIONS**

The correspondence exchanged against the tender from both tenderer and BHEL through email are considered as valid document legally though it is not signed. It is treated as valid confirmations made on behalf of the respective company and very much comes under the legal ambit of the business transaction and hence it is binding on both the parties to the business. Any transaction pertaining to the tender from both the parties of business done round the clock irrespective of the office or business hours of the companies, are valid legally and binding on both the parties. This applies to the extent only in such cases where deadline time for transaction is not specifically declared by either or both the parties to the business.

**20. LOI(Letter of Intent)**

BHEL may issue LOI prior to the PO for any reason whatsoever. The LOI in such cases is to be treated as PO for all practical purposes and all the Terms & Conditions of the tender shall be applicable from the date of issue of LOI.

**21. Words and Figures**

- a. If, in the price structure quoted for the required goods/ services/ works, there is discrepancy between the unit price and the total price (which is obtained by multiplying the unit price by the quantity), the unit price shall prevail and the total price corrected accordingly, unless in the opinion of the purchaser there is an obvious misplacement of the decimal point in the unit price, in which case the total price as quoted shall govern and the unit price corrected accordingly.
- b. If there is an error in a total corresponding to the addition or subtraction of subtotals, the subtotals shall prevail and the total shall be corrected; and
- c. If there is a discrepancy between words and figures, the amount in words shall prevail, unless the amount expressed in words is related to an arithmetic error, in which case the amount in figures shall prevail subject of (a) and (b) above.
- d. If there is such discrepancy in an offer, the same shall be conveyed to the bidder with target date upto which the bidder has to send his acceptance on the above lines and if the bidder does not agree to the decision of the purchaser, the bid is liable to be ignored.

Handwritten signature and date: 20/12/14



BHEL GOINDWAL

TERMS AND CONDITIONS FOR  
(Tender Enquiry No.1415-149 Dated 20.12.2014)  
Item: Springs

**22. GENERAL:**

- a) BHEL will not be bound by any power of attorney granted by the vendors or by changes in the composition of the firm made subsequent to the execution of the contract. They may, however, recognize such power of attorney and changes after obtaining proper legal advice, the cost of which will be chargeable to the vendor concerned.
- b) BHEL reserves the right to extend the due date of opening, which shall be informed. Validity of offer shall be deemed to be revised accordingly.
- c) BHEL reserves the right to accept or reject any part or whole of the tender of a bidder by assigning a valid reason thereof. BHEL reserves the right to cancel the tender without assigning any reason thereof and without any obligation before any commitment.
- d) If possible, please submit soft copy of price quotation [copied on a blank CD of standard make] put in the sealed offer.
- e) Acceptance of all terms and conditions, in the form of signed copy of T&C or confirmation separately written, shall be submitted along with quotation. If nothing is mentioned, it shall be concluded that terms and conditions are acceptable.

**23. BANNED FIRMS:**

The offers of the bidders who are on the banned list as also the offer of the bidders, who engage in the services of the banned firms, shall be rejected. The list of banned firms is available on BHEL website [www.bhel.com](http://www.bhel.com).

**24. SUPPLIER REGISTRATION:**

Bidders, who are not currently on registered list of BHEL IVP Goindwal Sahib, may submit duly filled format for "Vendor Registration form". The form can be downloaded from our website [www.bhel.com](http://www.bhel.com) or can be requested at [manmeet@bhelivp.in](mailto:manmeet@bhelivp.in). Registered vendors with BHEL IVP GWL have to mention their vendor code. Registered vendors with any other unit of BHEL are also required to mention the vendor code given by respective BHEL unit along with photocopy of latest POs from BHEL unit. Techno-commercially qualified bidders may be asked for submission of supplier registration form for getting registered with BHEL, IVP, Goindwal.

**CHECKLIST AND SEQUENCE OF DOCUMENTS TO BE SUBMITTED IN TWO PARTS BIDS**

S. No.	Document	Status
1	Envelope should contain (1) Techno-Commercial bid preferably with signed copy of terms & conditions (2) Unpriced bid format (Annexure-I) with applicable taxes (item prices not to be mentioned)	Sealed envelope marked as Part-I "Techno-Commercial Bids" Yes, Sealed
2.	Price Bid (Preferably in Annexure-II) sealed in separate envelope superscribing tender enquiry detail, due date of opening, sender address	Sealed envelope marked as Part-II "Price Bid" Yes, sealed
3.	All two sealed envelopes put in an outer envelope mentioning all details like Enquiry no., description, due date	Yes

*Handwritten signature and date: 20/12/14*

**Certificate by Chartered Accountant on letter head**

This is to Cert'fy that M/S .....,  
(hereinafter referred to as 'company') having its registered office at  
..... is registered under MSMED Act 2006, (Entrepreneur  
Memorandum No (Part-11) ..... dtd:.....,  
Category:..... (Micro/Small)). (Copy enclosed).

Further verified from the Books of Accounts that the investment of the company as per the  
latest audited financial year ..... as per MSMED Act 2006 is as follows:

1. **For Manufacturing Enterprises:** Investment in plant and machinery (i.e. original cost  
excluding land and building and the items specified by the Ministry of Small Scale Industries vide its  
notification No.S.O.1722(E) dated October 5, 2006 :  
Rs.....Lacs
2. **For Service Enterprises:** Investment in equipment (original cost excluding land and building and  
furniture, fittings and other items not directly related to the service rendered or as may be notified under the MSMED  
Act, 2006:  
Rs.....Lacs

**(Strike off whichever is not applicable)**

The above investment of Rs.....Lacs is within permissible limit of  
Rs.....Lacs for .....Micro / Small (Strike off which is not applicable)  
Category under MSMED Act 2006.

Or

The company has been graduated from its original category {Micro/ Small} (Strike off which is not  
applicable) and the date of graduation of such enterprise from its original category is .....  
(dd/mm/yyyy) which is within the period of 3 years from the date of graduation of such  
enterprise from its original category as notified vide S.O. No. 3322(E) dated 01.11.2013 published  
in the gazette notification dated 04.11.2013 by Ministry of MSME.

Date:

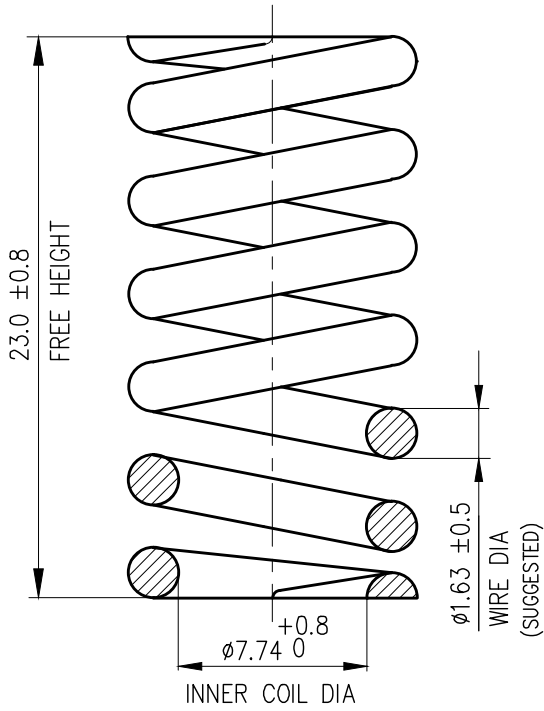
(Signature)

Name-

Membership number-

Seal of Chartered Accountant

CAUTION : The information of this document is the property of BHARAT HEAVY ELECTRICALS LIMITED  
It must not be used directly or indirectly in any way detrimental to the interest of the company.



ROW	DESCRIPTION	UNITS	VALUE
01	SPRING NUMBER	-	
02	MAX. OUTSIDE DIA	(mm)	12
03	SPRING RATE	(Kg/mm)	1.36
04	DEFLECTION	(mm)	5.0
05	LOAD (max)	(Kgf)	7.3

ROW	DESCRIPTION	UNITS	VALUE
06	EFFECTIVE NO. OF COILS	NOS	6.2 <sup>0</sup> <sub>-0.5</sub>
07	SPRING WEIGHT	(Kgs)	0.0024
08	PITCH	(mm)	3.2 ± 0.7
09	DEVELOPED LENGTH OF ROD	(mm)	245
10	RAW MATERIAL DIA x LENGTH	(mm)	1.63 x 475
11	RAW MATERIAL WEIGHT	(Kgs)	-
12	PROCESS OF MANUFACTURE	HOT/COLD COILING (NOTE-4)	

**NOTES:**

1. MANUFACTURE & WORKMANSHIP SHALL BE IN ACCORDANCE WITH APPLICABLE PROCEDURE FOR IBR SPRINGS.
2. DATA GIVEN IN ROWS 8 TO 12 ARE FOR REFERANCE ONLY. SPRING VENDOR TO DECIDE SUITABILITY.
3. SPRING MATERIALS -INCONEL X750
4. SPRING VENDOR IS RESPONSIBLE FOR STRESS RELIEVING, TEMPERING AND OTHER HEAT TREATMENTS AND CONTROLS TO INSURE MINIMUM STRESSED SPRINGS.
5. TEST CERTIFICATE TO BE OBTAINED WITH THE INSPECTING AUTHORITY APPROVED UNDER IBR 1950.

COMP. CODE: 964655330000

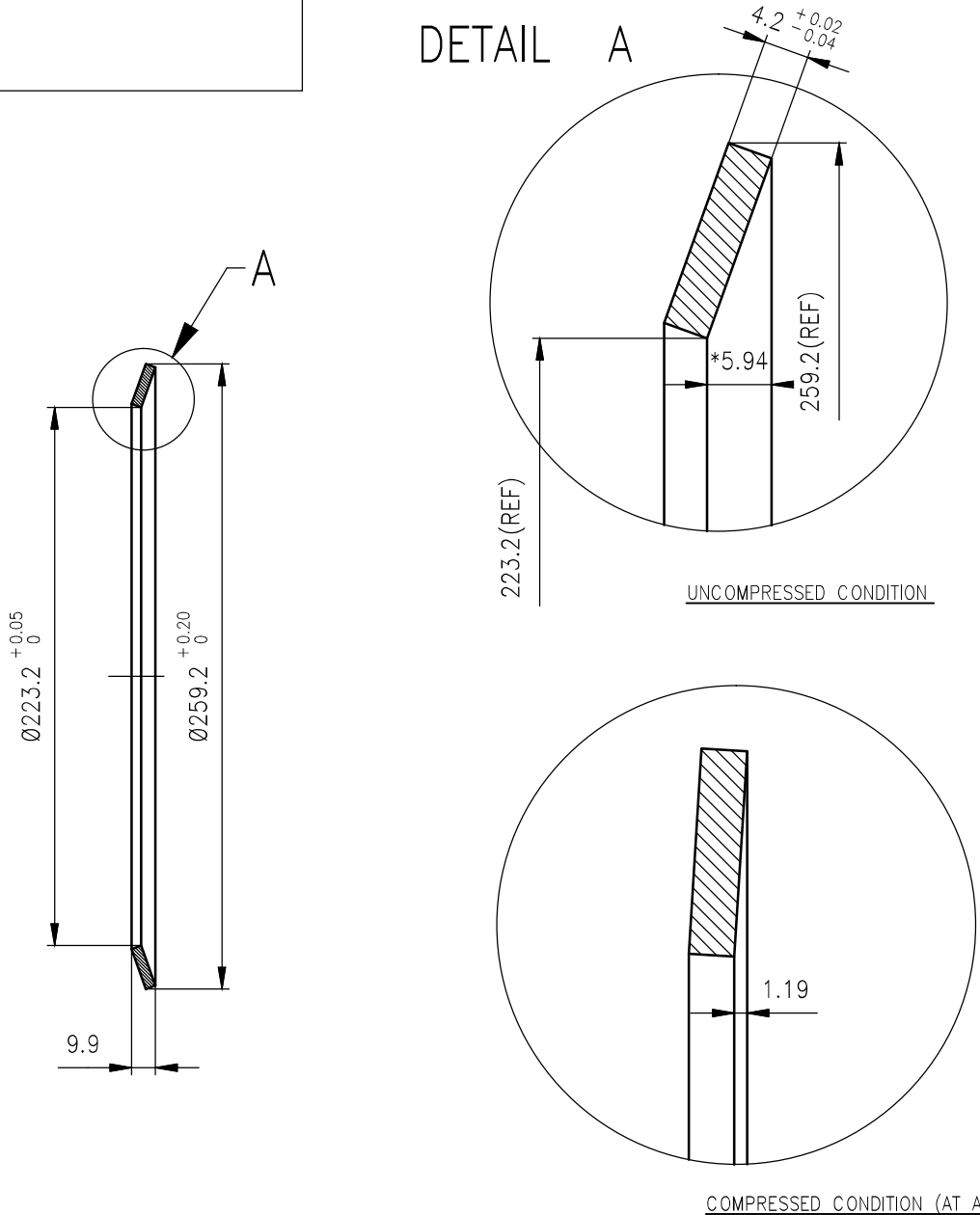
REV.	ALTD:	REV.	ALTD:
02	CHKD:	01	CHKD:
	APPD:		APPD:

 365-081	DRAWN	NAME	SIGN	DATE
	CHECKED	GANESH		01.01.13
	APPROVED	RAJASEKARAN		01.01.13
				01.01.13
TITLE				
<b>SPRING</b>				
DRG No. 4-V-BA01-27028				REV. 00

CAUTION: The information on this document is the property of BHARAT HEAVY ELECTRICALS LTD. It must not be used directly or indirectly in any way detrimental to the interest of the company.

REV	DATE	ALTERED
		CHD & APPD

3.2 /



**NOTES:**

01. CONE HEIGHT '\*' AFTER ASSEMBLY TO BE REDUCED TO 1.19 mm

COMPONENT CODE : 964655750000

01	-	-	INCONEL X-750	-	-	0.44	-	4-V-BA51-27021	15
NO. OF CT	DESCRIPTION	MAIL CODE	MAIL SPEC	HEAT TREATMENT	SCRAP SUR	NF W (kg)	GROSS W (kg)	DRAWING No	ITEM No



**BHARAT HEAVY ELECTRICALS LTD.**  
 UNIT: HIGH PRESSURE BOILER PLANT.  
 TIRUCHIRAPALLI 620014.

DRN	NAME	SIGN	DATE	NO. OF VAR
CHD	DEEPAKRAJ		11.01.13	
APPD	K.RAJAKEKARAN			

DEPT VL	/		SCALE	WEIGHT (KG).	REFERENCE INFORMATION	NO. OF ITEMS
CODE 320			NTS	-	-	
TITLE			CARD CODE	DRAWING NO.	REV	
BELLEVILLE SPRING			U 01	4-V-BA51-27021	00	

Price Bid Annexure to Enquiry No.1415-149 Dated 20.12.2014, Due date 03.01.2015

Enq Sl. No.	Code	Description of material	Drg No	Enquiry Qty (Nos.)	Unit Basic Price, Rs. per No (In Figure)	Unit Basic Price, Rs. per No (In Words)
1	964655330000	Spring - BA 01	4VBA0127028/00	160	To be filled by Bidder	To be filled by Bidder
2	964655750000	Disc Spring	4VBA5127021/00	160	To be filled by Bidder	To be filled by Bidder

Authorised signatory with seal

Techno-Commercial Bid Annexure to Enquiry No.1415-149 Dated 20.12.2014, Due date 03.01.2015

Enq Sl. No.	Code	Description of material	Drg No	Enquiry Qty (Nos.)	Quoted	Unit Basic Price, Rs. per No.
1	964655330000	Spring - BA 01	4VBA0127028/00	160	Yes/No	"Pl. see price bid"
2	964655750000	Disc Spring	4VBA5127021/00	2	Yes/No	"Pl. see price bid"
Excise Duty rate (mention in % if applicable, mention as <b>NIL</b> if not applicable)			Applicable/Not applicable			
			Extra/Inclusive			
			% if applicable		<i>Pl. clearly mention in % if applicable</i>	
Cess on ED rate (mention in % if applicable)						
CST (%) / VAT (%)			Extra/Inclusive			
			%			
Validity of offers ( <b>As per BHEL terms 60 days validity is required</b> )					<i>Pl. clearly mention</i>	

The above prices are **Firm, without any price escalation; are Rs. per piece; and are on FOR Goindwal Sahib basis.**

We accept all terms and conditions of the Tender Enquiry No.1415-149 Dated 20.12.2014, Due date 03.01.2015

Authorised signatory with seal