



BHEL GOINDWAL

**TERMS AND CONDITIONS FOR
(Tender Enquiry No.1415-167 Dated 22.01.2015)
Rate Contract of Item: Hard Board End Cover**

DUE DATE OF OPENING: 06.02.2015

1. INVITING TENDERS

Tenders in two part bids are invited.

Sealed tenders in two parts; Part-I: Techno-commercial bid and Part-II: Price bid are hereby invited for supply of **Hard Board End Cover** as per BHEL Drawings, TDCs and other technical documents referred in these documents. The relevant documents are attached with the Enquiry.

The two bids should be submitted in **separate sealed inner envelopes** duly mentioning the detail as follows:

Bid	Bid description	Superscribing on envelope	*** Should contain ***
Part I in First sealed envelope	Techno-Commercial Offer	Part-I (Techno-Commercial) bid against tender enquiry no: 1415-167 dated 22.01.2015 due for opening on 06.02.2015	<ol style="list-style-type: none"> Acceptance of all terms and conditions of tender enquiry. (Preferred is submitting signed copy of terms and conditions; if nothing is mentioned for any term, it shall be summarily concluded that the same is acceptable and no representation whatsoever shall be entertained later on). Un-priced bid as per format attached. All details, i.e. whether quoted for item, duties and taxes etc. should be filled.
Part II in Second sealed envelope	Price Bid	Part-II (Price) bid against tender enquiry No: 1415-167 dated 22.01.2015 due for opening on 06.02.2015	<p>Price bid in the format attached. Preferably the price bid envelop should contain ONLY the price bid. Further, if even the same conditions are mentioned in the Part-II, but after scrutiny of Part-I, the bidder has agreed to BHEL terms, the same shall be binding and any such condition found in Part-II shall in no case be discussed.</p> <p>Rates should be mentioned in words as well as in figures. Anything other than price mentioned in the price bid shall be considered invalid</p>

Both the sealed envelopes should be put in outer sealed envelope superscribing all details i.e. Enquiry Number, Date, Supplier's Name and Address and Item.

Time of submission by 1500 Hrs on Due Date. Time of Techno-Commercial bid (Part I) opening is 1530 Hrs on due date. Based on evaluation of techno-commercial offers, Price bids of bidders who qualify from techno-commercial evaluation shall be opened. BHEL may decide to open the Price bid same day at 1700 hrs. If not opened on the same day, all qualifying bidders shall be notified for date of opening of Price bids.

Sealed Tenders can be dropped in the tender box labeled as 'Tender box for MM contracts'. This tender box is located at the entrance of Admin block BHEL Goindwal. Fax (01859-222061) / E-Mail (tendermm@bhelivp.in) offers received in time shall be considered only when such offers are complete in all respects.

2. VALIDITY OF OFFERS:

The offers shall be kept open for acceptance for 60 days from the date of opening of the tender. In case of extension of tender opening date, the validity shall be suitably revised.

VALIDITY OF CONTRACT:

The rate contract will be in operation for one year upto **31.03.2016** and may vary one month from this rate contract period. However, BHEL reserves the right to terminate the contract earlier also if the performance of the **VENDOR** is not satisfactory. The rate contract can be again for one more year on mutual agreement. BHEL reserves the right to short close rate contract earlier. **All POs will be released in this contract period. Purchase orders will be released in this rate contract period only. Items indicated in annexure are tentative which may increase or decrease during the contract time. Supplier has to supply material as**

Handwritten signature



BHEL GOINDWAL

TERMS AND CONDITIONS FOR
(Tender Enquiry No.1415-167 Dated 22.01.2015)
Rate Contract of Item: Hard Board End Cover

per PO. During rate contract period BHEL may not release PO for all items indicated in annexure. Supplier may supply +/- 10% of ordered quantity with the prior approval of BHEL.

3. SCOPE OF SUPPLY

Material shall be supplied as per the applicable latest Technical Delivery Conditions (TDC)/ Material Standard requirements/BPS/Drawing and other requirement as given in the Tender Enquiry. National & International material Standards shall have to be arranged by vendors themselves. +/- 10 % qty variation is acceptable.

4. REPLACEMENT OF REJECTION:

If the material is rejected due to defective workmanship during inspection or at the time of actual use, within the guarantee period (i.e. as per clause 11), the rejected material shall be replaced by the supplier. Corresponding quantity shall be treated as unsupplied against respective purchase order till replacement is received at BHEL. If the material is found defective and rejected during use for which payment has already been released the rejected quantity shall be supplied free of cost by the vendor within a month of intimation of the rejection by BHEL.

5. DELIVERY SCHEDULE:

Supplies shall be affected and completed as per schedule mentioned in the POs. **Time to time BHEL shall release PO on supplier for supply of items within 45 days from placement of PO. Further, BHEL may release delivery schedule from time to time based upon our requirement.** Vendor shall be required to complete the order as per the BHEL schedule requested.

6. ACCESS TO MANUFACTURING PREMISES:

While Purchase Orders placed on the vendor are under execution, authorized representatives of BHEL shall be allowed free access to the manufacturing facilities for the purpose of inspection or monitoring the progress of purchase orders. This access will also be extended to representatives of BHEL's customers accompanying the authorized representative/s of BHEL (which shall be intimated in advance), if our contractual requirements with our customers call for the same.

7. TERMS OF PAYMENT:

- a. Due payment against supplies received shall be due after 30 days of receipt and acceptance of material and shall be paid within next 15 days period. In case of any deviation from standard payment term mentioned, BHEL at it's discretion may load on the item price at "Base rate of SBI (as applicable on the date of bid opening; Techno-commercial bid opening) + 6% shall be considered for loading for the period of relaxation sought by bidders.
- b. Documents to be submitted
 - i. Commercial invoice (in duplicate)
 - ii. Excise invoice (in duplicate) valid for claiming CENVAT credit
 - iii. Original VAT invoice valid for claiming input tax credit, if applicable
 - iv. Material Test Certificates (MTC) and
 - v. Compliance Certificate.
- c. Above documents should include your Registration numbers such as ECC no, PAN no, CST no, TIN/ VAT nos. etc.
- d. **It is mandatory to mention proper material codes in the invoices and separate invoices to be raised for different POs.**
- e. **BHEL releases payment through EFT mode ONLY. Necessary details may please be submitted by filling required format before release of payment.**

8. INSPECTION:

1. All required tests shall be carried out by vendor at no extra cost. Relevant TCs shall accompany the consignment. **BHEL may decide to inspect itself/arrange third party at vendors' works itself as and when necessary with prior intimation to the vendor.** No additional charges shall be claimed for such inspections.

[Handwritten signature]



BHEL GOINDWAL

TERMS AND CONDITIONS FOR
(Tender Enquiry No.1415-167 Dated 22.01.2015)
Rate Contact of Item: Hard Board End Cover

2. Vendor will give inspection call sufficiently in advance considering the delivery period stipulated in the purchase order.
3. Material Test Certificates (MTC), Inspection reports and Compliance/Guarantee Certificate are to be provided along with the supplies.
4. Latest applicable revisions of standards/procedures to be referred.
5. Any inspection carried out before supply by vendor/incoming stage at BHEL notwithstanding, if any defect/non-conformity is noted during processing, the same shall be attended/replaced by vendor at no extra cost.

9. PREFERENCES FOR MSE's:

Preferences as mentioned in "Public Procurement Policy for Micro and Small Enterprises (MSEs) Order, 2012" shall be given to Micro and Small enterprises.

Main points which are mentioned in the above order are as follows:

- 20% Procurement of the tender value shall be made from MSE (Micro, Small Enterprises) firms.
- 4% from the above mentioned 20% procurement quantity shall be procured from MSE's owned by SC /ST's. Failure to participate by any MSE owned by SC/ST's this 4% quantity shall be procured from other MSEs.
- EMD shall be exempted for MSE's. All these benefits are subject to production of all statutory documents
- In tender, participating Micro and Small Enterprises quoting price within price band of L1+15 per cent shall also be allowed to supply a portion of requirement by bringing down their price to L1 price in a situation where L1 price is from someone other than a Micro and Small Enterprise and such Micro and Small Enterprise shall be allowed to supply up to 20 per cent of total tendered value. In case of more than one such Micro and Small Enterprise, the supply shall be shared proportionately (to tendered quantity).

"MSE suppliers can avail the intended benefits only if they submit along with the offer, attested copies of either EM II certificate having deemed validity (five years from the date of issue of acknowledgement in EM II) or valid NSIC certificate or EM II certificate along with attested copy of a CA certificate (Format enclosed at Annexure -1 where deemed validity of EM II certificate of five years has expired) applicable for the relevant financial year (latest audited). Date to be reckoned for determining the deemed validity will be the date of bid opening (Part 1 in case of two part bid). Non submission of such documents will lead to consideration of their bid at par with other bidders. No benefit shall be applicable for this enquiry if any deficiency in the above required documents are not submitted before price bid opening. If the tender is to be submitted through e-procurement portal, then the above required documents are to be uploaded on the portal. Documents should be notarized or attested by a Gazetted officer."

10. LOADING CRITERIA

1. Tender quantity shall be divided in the proportion 80:20 (80% for L1 and 20% for MSE's) in case the L1 vendor is not a MSE subject to following conditions:

I. In tender, participating Micro and Small Enterprises quoting price within price band of L1+15 per cent shall also be offered 20% quantity of tender quantity at L1 price in a situation where L1 price is from someone other than a Micro and Small Enterprise. In case of more than one such Micro and Small Enterprise, the supply shall be shared equally. If there are more than one MSE in the price band of L1+ 15% to whom the offer has been sent and some of them reject the offer then the remaining quantity shall be distributed equally to the MSEs accepting L1 prices.

II. 20% from the 20% quantity (i.e. 4% of the tender quantity) offered to the MSE's shall be reserved for MSE's owned by SC/STs. In event of failure of such Micro and Small Enterprises to participate in tender process or meet tender requirements and L1 price, 4 per cent quantity for Micro and Small Enterprises owned by SC/ST entrepreneurs shall be met from other Micro and Small Enterprises.

Handwritten signature/initials



BHEL GOINDWAL

TERMS AND CONDITIONS FOR
(Tender Enquiry No.1415-167 Dated 22.01.2015)
Rate Contact of Item: Hard Board End Cover

III. In case any MSE vendor does not accept the counter offer, the above mentioned 20% quantity shall be offered to L1.

IV. If there is no MSE in the Price band of L1+15% then the 20% quantity shall be offered to L1 vendor.

V. If other suppliers (other than L1) are not under MSE then 100% qty will be offered to L1 supplier.

2. In case if the L1 vendor is MSE then quantity shall be provided as 96 % for L1 and 4% tender quantity shall be offered to the MSEs owned by SC/ST's in the price band of L1+15%. In event of failure of such Micro and Small Enterprises to participate in tender process or meet tender requirements and L1 price, 4 per cent sub-target for procurement earmarked for Micro and Small Enterprises owned by SC/ST entrepreneurs shall be met from L1 vendor.

3. In case the L1 vendor is a MSE owned by a SC/ST then the 100 % quantity shall be loaded on L1 bidder.

In case of non- acceptance of counter offer by any vendor after above applicable provisions the whole quantity would be offered to L1 vendor.

This ratio can be altered in case of any failure on part of L1 regarding delivery commitment/quantity/quality of material.

All above mentioned preferences shall be given to MSEs and SC/STs only on the submission of documentary evidence.

11. GUARANTEE:

Vendor shall give a guarantee of 18 months from the date of dispatch or 12 months from date of receipt, against manufacturing defects, whichever is earlier.

12. PENALTY FOR LATE DELIVERY:

'Time is the essence of the contract'. As such, delivery of goods specified in the Purchase Orders released under the scope of this contract shall be made within the time limit prescribed therein. Penalty for late delivery will be applicable @ 0.5% per week or part thereof subject to a maximum of 10.0 %.

If any vendor does not accept LD ½% of the supply for each week of delay subject to a maximum of 5%, their offer is likely to be rejected by BHEL and the price bid shall not be opened. Bidders accepting for 10% LD shall not be loaded on account of LD. However bidders who offer any other % LD [between 5% to 10%] shall be loaded @ % deviation from 10% and their accepted % e.g. If a bidder accepts for a max of 7% LD only, their offer would be loaded @ 3% (10 - 7 = 3).

BHEL reserves the right to receive or not receive the material after the due date of PO.

13. RISK PURCHASE:

BHEL shall be entitled to terminate the contract/pending POs at any stage and to purchase elsewhere at the risk and cost of the vendor, either the whole of the goods or any part thereof which the supplier has failed to deliver or dispatch within the time stipulated as aforesaid. Vendor shall be liable for the losses, which BHEL may sustain by way of such risk purchase in addition to aforesaid penalty for delayed delivery.

14. SUB-CONTRACT:

The purchase order or any part thereof shall not be sub-contracted, assigned or otherwise transferred without previously obtaining the BHEL's consent in writing.

15. FORCE MAJEURE:

If at any time during the continuance of the contract, the performance in which or in any part by either party of any obligations under the contract are prevented or delayed by reason of any war, hostilities, acts of public enemy, civil commotion, sabotage, fires, explosions, epidemics, quarantine restrictions, or acts of God (hereinafter referred to "an events" then provided the notice of happening of any such event is given by either party to the other within 21 days of the occurrence thereof, neither party shall by reason of such event be

[Handwritten signature]



BHEL GOINDWAL

TERMS AND CONDITIONS FOR
(Tender Enquiry No.1415-167 Dated 22.01.2015)
Rate Contract of Item: Hard Board End Cover

entitled to terminate the contract nor shall either party have any claim for damages against the other in respect of such non-performance and delay in performance and delivery under the contract shall be resumed as soon as practicable after such event has come to an end or ceased to exist. If the performance in whole or part of any obligation under the contract is prevented or delayed by reason of any such event, claims of extension of time shall be granted for periods considered reasonable by BHEL subject to prior notification by the vendor to BHEL of the particulars of the event and supply to BHEL, if required, of any supporting evidence. Any waiver of time in respect of partial installment shall not be deemed a waiver of time in respect of remaining deliveries.

16. DISPUTES:

In the event of any dispute and/or difference arising between the Vendor and BHEL as to interpretation and/or execution of the contract and/or the respective rights and liabilities of the parties, such disputes and/or differences shall be referred to the sole arbitrator nominated by BHEL. The provisions of the Indian Arbitration Act and the rules there under shall apply to such arbitration. The award passed by the arbitrator shall be final and conclusively binding on all the parties.

17. JURISDICTION:

The court of the place from where the purchase order is issued during the contractual period shall alone have jurisdiction to decide any dispute arising out of or in connection with the purchase order.

18. MSME Certification:

If the bidder is registered as any of Micro/Small/Medium enterprise as defined in Micro Small and Medium Enterprises Development Act, 2006; a copy of registration certificate to be attached.

19. CLARIFICATIONS

The correspondence exchanged against the tender from both tenderer and BHEL through email are considered as valid document legally though it is not signed. It is treated as valid confirmations made on behalf of the respective company and very much comes under the legal ambit of the business transaction and hence it is binding on both the parties to the business. Any transaction pertaining to the tender from both the parties of business done round the clock irrespective of the office or business hours of the companies, are valid legally and binding on both the parties. This applies to the extent only in such cases where deadline time for transaction is not specifically declared by either or both the parties to the business.

20. LOI(Letter of Intent)

BHEL may issue LOI prior to the PO for any reason whatsoever. The LOI in such cases is to be treated as PO for all practical purposes and all the Terms & Conditions of the tender shall be applicable from the date of issue of LOI.

21. Words and Figures

- If, in the price structure quoted for the required goods/ services/ works, there is discrepancy between the unit price and the total price (which is obtained by multiplying the unit price by the quantity), the unit price shall prevail and the total price corrected accordingly, unless in the opinion of the purchaser there is an obvious misplacement of the decimal point in the unit price, in which case the total price as quoted shall govern and the unit price corrected accordingly.
- If there is an error in a total corresponding to the addition or subtraction of subtotals, the subtotals shall prevail and the total shall be corrected; and
- If there is a discrepancy between words and figures, the amount in words shall prevail, unless the amount expressed in words is related to an arithmetic error, in which case the amount in figures shall prevail subject of (a) and (b) above.
- If there is such discrepancy in an offer, the same shall be conveyed to the bidder with target date upto which the bidder has to send his acceptance on the above lines and if the bidder does not agree to the decision of the purchaser, the bid is liable to be ignored.

22. GENERAL:

Handwritten signature



BHEL GOINDWAL

TERMS AND CONDITIONS FOR
(Tender Enquiry No.1415-167 Dated 22.01.2015)
Rate Contact of Item: Hard Board End Cover

- a) BHEL will not be bound by any power of attorney granted by the vendors or by changes in the composition of the firm made subsequent to the execution of the contract. They may, however, recognize such power of attorney and changes after obtaining proper legal advice, the cost of which will be chargeable to the vendor concerned.
- b) BHEL reserves the right to extend the due date of opening, which shall be informed. Validity of offer shall be deemed to be revised accordingly.
- c) BHEL reserves the right to accept or reject any part or whole of the tender of a bidder by assigning a valid reason thereof. BHEL reserves the right to cancel the tender without assigning any reason thereof and without any obligation before any commitment.
- d) If possible, please submit soft copy of price quotation [copied on a blank CD of standard make] put in the sealed offer.
- e) Acceptance of all terms and conditions, in the form of signed copy of T&C or confirmation separately written, shall be submitted along with quotation. If nothing is mentioned, it shall be concluded that terms and conditions are acceptable.

23. BANNED FIRMS:

The offers of the bidders who are on the banned list as also the offer of the bidders, who engage in the services of the banned firms, shall be rejected. The list of banned firms is available on BHEL website www.bhel.com.

CHECKLIST AND SEQUENCE OF DOCUMENTS TO BE SUBMITTED IN TWO PARTS BIDS

S. No.	Document	Status
1	Envelope should contain (1) Techno-Commercial bid preferably with signed copy of terms & conditions (2) Unpriced bid format (Annexure-I) with applicable taxes (item prices not to be mentioned)	Sealed envelope marked as Part-I "Techno-Commercial Bids" Yes, Sealed
2.	Price Bid (Preferably in Annexure-II) sealed in separate envelope superscribing tender enquiry detail, due date of opening, sender address	Sealed envelope marked as Part-II "Price Bid" Yes, sealed
3.	All two sealed envelopes put in an outer envelope mentioning all details like Enquiry no., description, due date	Yes

Handwritten signature

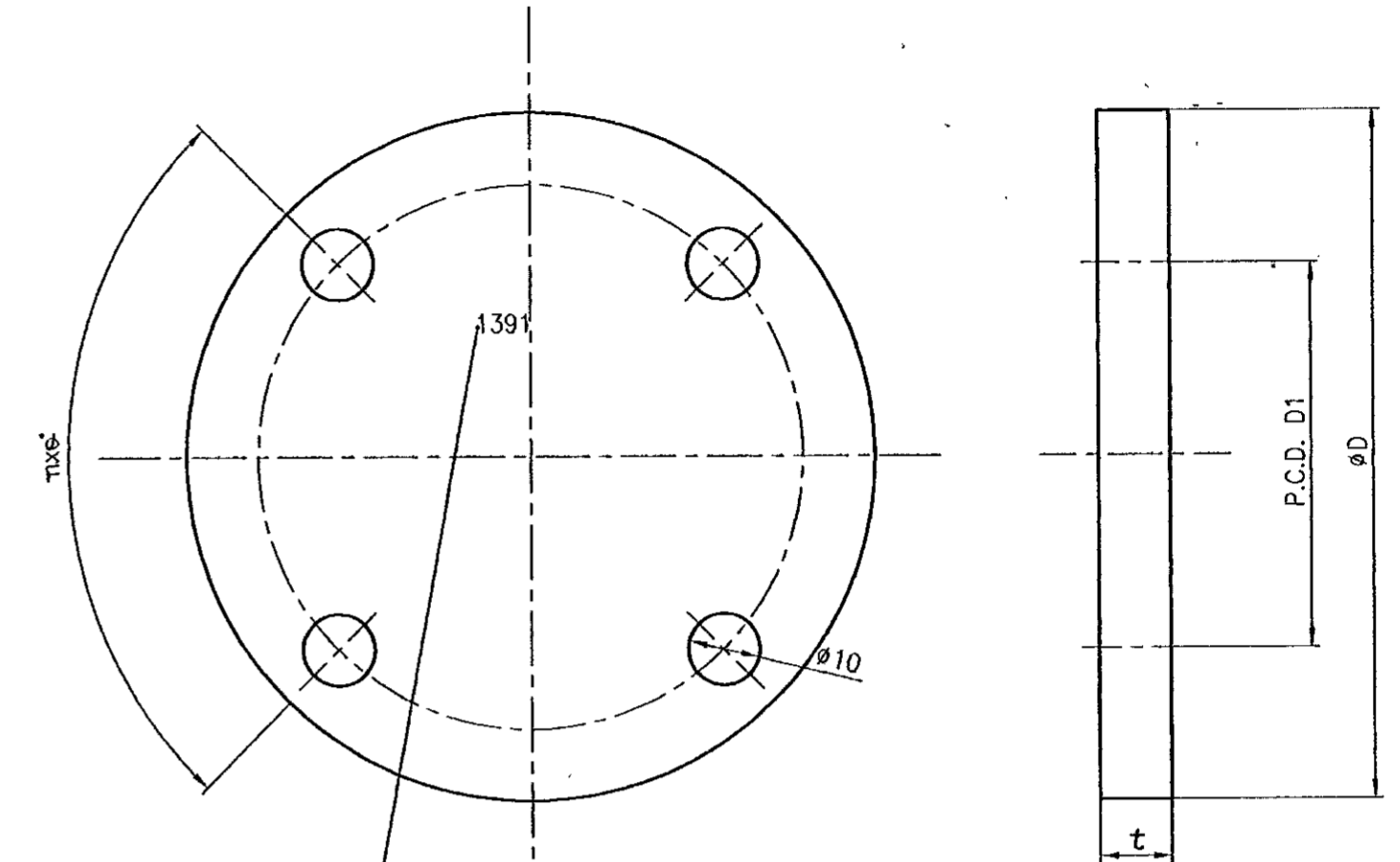
DRAWING NO. 2-V-0000-01767/04

ALL DIMENSIONS ARE IN MILLIMETRES. FOR TOLERANCES OF UNTOLERANCED DIMENSIONS DURING MANUFACTURE REFER RELEVANT QCP / QP

SL.No.	NP	NB	DRG.No.	DIMENSIONS					MATL. CODE.
				φ D	D1 P.C.D.	t	rxφ	NET WT (kg)	
01	NP:10&16	100	2-V-1391-01767/1	215	180	3	4x90°	0.117	22071005
02		125	2-V-0103-01767/1	245	210	3	4x90°	0.153	22071006
03		150	2-V-1373-01767/1	SAME AS IN SL.No:-56					
04		200	2-V-1394-01767/1	335	295	3	6x60°	0.286	22071008
05		250	2-V-1395-01767/1	405	355	3	6x60°	0.420	22071009
06		300	2-V-1317-01767/1	460	410	3	6x60°	0.542	22071010
07		400	2-V-1318-01767/1	580	525	6	8x45°	1.350	22071011
08		600	2-V-1209-01767/1	840	770	6	8x45°	2.850	22071012
09	NP:10,16&40	15	2-V-2301-01767/1	95	65	3	4x90°	0.021	22071013
10		20	2-V-2341-01767/1	105	75	3	4x90°	0.027	22071014
11		25	2-V-2302-01767/1	115	85	3	4x90°	0.032	22071015
12		32	2-V-2242-01767/1	135	100	3	4x90°	0.044	22071016
13		40	2-V-0203-01767/1	145	110	3	4x90°	0.051	22071017
14		50	2-V-0204-01767/1	160	125	3	4x90°	0.063	22071003
15		65	2-V-0205-01767/1	180	145	3	4x90°	0.080	22071018
16		80	2-V-1371-01767/1	SAME AS IN SL.No. 54					
17		100	2-V-1372-01767/1	SAME AS IN SL.No:- 55					
18		125	2-V-2226-01767/1	SAME AS IN SL.No:- 41					
19	NP 40	150	2-V-2411-01767/1	300	250	3	4x90°	0.226	22071021
20		200	2-V-2412-01767/1	375	320	3	6x60°	0.356	22071022
21		250	2-V-0181-01767/1	445	385	3	6x60°	0.503	22071023
22		300	2-V-0183-01767/1	510	450	3	8x45°	1.031	22071024
23		400	2-V-1217-01767/2	635	585	6	8x45°	1.709	22071025
24		500	2-V-1218-01767/1	755	670	6	8x45°	2.279	22071026
25		50	2-V-0187-01767/1	175	135	3	4x90°	0.075	22071027
26		65	2-V-0188-01767/1	200	160	3	4x90°	0.100	22071064
27		80	2-V-1378-01767/1	SAME AS IN SL.No:-65					
28		100	2-V-0103-01767/1	SAME AS IN SL.No:-2					
29	NP 64	150	2-V-0191-01767/1	340	280	3	4x90°	0.290	22071030
30		200	2-V-1395-01767/1	SAME AS IN SL.No:-5					
31		250	2-V-0182-01767/1	470	400	3	6x60°	0.560	22071032
32		300	2-V-0184-01767/1	530	460	3	8x45°	1.110	22071033
33	NP:64&100	15	2-V-2341-01767/1	SAME AS IN SL.No:-10					
34		20	2-V-2214-01767/1	SAME AS IN SL.No:-43					
35		25	2-V-2242-01767/1	SAME AS IN SL.No:-12					
36		32	2-V-1370-01767/1	SAME AS IN SL.No:-53					
37	40	2-V-1377-01767/1	SAME AS IN SL.No:-64						
38	NP 100	50	2-V-1371-01767/1	SAME AS IN SL.No:-54					
39		65	2-V-1391-01767/1	SAME AS IN SL.No:-1					
40		80	2-V-1372-01767/1	SAME AS IN SL.No:-55					
41	NP 250	100	2-V-2226-01767/1	265	210	3	4x90°	0.173	22071038
42		150	2-V-0354-01767/1	350	290	3	6x60°	0.207	22071068
43		15	2-V-2214-01767/1	125	90	3	4x90°	0.037	22071069
44	25	2-V-0203-01767/1	SAME AS IN SL.No:-13						
45	40	2-V-0205-01767/1	SAME AS IN SL.No:-15						
46	65	2-V-2225-01767/1	SAME AS IN SL.No:-55						
47	250	2-V-0347-01767/1	585	490	3	8x45°	1.328	22071039	

SL.No.	NP	NB	DRG.No.	DIMENSIONS					MATL. CODE.
				φ D	D1 P.C.D.	t	rxφ	NET WT (kg)	
48	NP 2.5	800	2-V-0112-01767/1	975	920	6	12x30°	3.864	22071001
49		1200	2-V-0113-01767/1	1375	1320	6	16x22½°	7.800	22071002
50	NP 6	300	2-V-0109-01767/1	435	395	3	6x60°	0.486	22071072
51	NP 25	200	2-V-0126-01767/1	360	310	3	6x60°	0.329	22071073
52		300	2-V-0127-01767/1	485	430	3	8x45°	0.602	22071074
53	150 LBS.	2"	2-V-1370-01767/1	152	121	3	4x90°	0.050	22071040
54		3"	2-V-1371-01767/1	190	152	3	4x90°	0.082	22071041
55		4"	2-V-1372-01767/1	229	190	3	4x90°	0.120	22071042
56		6"	2-V-1373-01767/1	279	241	3	4x90°	0.180	22071043
57		8"	2-V-0191-01767/1	SAME AS IN SL.No:-29					
58		10"	2-V-1395-01767/1	SAME AS IN SL.No:-5					
59	300 LBS.	12"	2-V-1376-01767/1	483	432	3	6x60°	0.544	22071046
60		14"	2-V-1386-01767/1	533	476	6	6x60°	0.654	22071047
61		16"	2-V-1387-01767/1	597	540	6	8x45°	0.824	22071048
62		20"	2-V-1512-01767/1	695	635	6	10x36°	1.200	22071049
63		24"	2-V-1388-01767/1	813	749	6	10x36°	1.534	22071050
64		2"	2-V-1377-01767/1	165	127	3	4x90°	0.061	22071051
65		3"	2-V-1378-01767/1	209	168	3	4x90°	0.098	22071052
66		4"	2-V-1379-01767/1	254	200	3	4x90°	0.147	22071053
67		6"	2-V-1380-01767/1	317	270	3	6x60°	0.232	22071054
68		8"	2-V-1381-01767/1	381	330	3	6x60°	0.336	22071055
69	150 C	10"	2-V-1382-01767/1	444	387	3	8x45°	0.457	22071056
70		12"	2-V-1383-01767/1	521	451	3	8x45°	0.630	22071057
71		14"	2-V-1384-01767/1	584	514	6	10x36°	0.784	22071058
72		1½"	2-V-1370-01767/1	SAME AS IN SL.No:-53					
73	NP: 10	300	2-V-0522-01767/1	440	400	3	6x60°	0.52	22071060
74		400	2-V-0537-01767/1	565	515	6	8x45°	1.31	22071061
75		500	2-V-0538-01767/1	670	620	6	10x36°	1.5	22071062
76		600	2-V-0539-01767/1	780	725	6	10x36°	1.7	22071063
77		800	2-V-0503-01767/1	1015	950	6	12x30°	2.5	22071075
78	150 C	26"	2-V-N834-01767/1	785	745	6	9x40°	1.7	22071076
79		28"	2-V-N847-01767/1	835	795	6	10x36°	1.9	22071077
80		30"	2-V-N848-01767/1	885	845	6	11x32.7°	2.1	22071078
81		32"	2-V-N827-01767/1	940	900	6	12x30°	2.3	22071079
82		36"	2-V-N988-01767/1	1170	1085	6	8x45°	3.5	22071080
83	36"	2-V-N846-01767	1055	1010	6	11x32.7°	2.7	22071081	

DIMENSIONAL TOLERANCES
FOR O.D. UPTO φ500 ±0.15
FOR O.D. ABOVE φ500 ±0.25



IDENTIFICATION MARK TO BE PAINTED ON THE SMOOTH SURFACE
(FOR EXAMPLE: "1391" FOR SL.No.1, DRG.No.2-V-1391-01767/1)

MATL SPECN. STANDARD HARD BOARD IS.1658

No OFF	DESCRIPTION	MATL CODE	MATL SPECN	HEAT TREATMENT	SCRAP SORT	NET WT (kg)	GROSS WT (kg)	DRAWING No	ITEM No
	TYPE OF PRODUCT OR NAME OF CUSTOMER/PROJECT								
	RETRACED WITH REV.4 ON 19.7.2000								
	BHARAT HEAVY ELECTRICALS LTD., UNIT: HIGH PRESSURE BOILER PLANT, TRUCHIRAPALLI-620014.								
	DRN	NAME	SIGN	DATE	NO.OF VAR.				
	CHD	R.L.NARAYANAN	[Signature]	19/7/2000					
	APPD	M.RAJAKUMAR	[Signature]	19/7/2000					
	DEPT	V L	SCALE	WEIGHT (KG)	REFERENCE INFORMATIONS				
	CODE	320	N T S		CAD REF:- C201767				
	TITLE	END COVER			CARD CODE	DRAWING NO.			
		U 01	2-V-0000-01767			04			

REV 04 DATE 19.7.2K ALTERED R.L. [Signature] CHD & APPD M.R.K. [Signature]
SL.No.83 INCLUDED. DIMS.CORRECTED FOR SL.No.78 TO 82. DCN NO.HM 0459

CAUTION: The information on this document is the property of BHARAT HEAVY ELECTRICALS LTD. It must not be used directly or indirectly in any way detrimental to the interest of the company.

Certificate by Chartered Accountant on letter head

This is to Cert'fy that M/S,
(hereinafter referred to as 'company') having its registered office at
..... is registered under MSMED Act 2006, (Entrepreneur
Memorandum No (Part-11) dtd:.....,
Category:..... (Micro/Small)). (Copy enclosed).

Further verified from the Books of Accounts that the investment of the company as per the
latest audited financial year as per MSMED Act 2006 is as follows:

1. **For Manufacturing Enterprises:** Investment in plant and machinery (i.e. original cost
excluding land and building and the items specified by the Ministry of Small Scale Industries vide its
notification No.S.O.1722(E) dated October 5, 2006 :
Rs.....Lacs
2. **For Service Enterprises:** Investment in equipment (original cost excluding land and building and
furniture, fittings and other items not directly related to the service rendered or as may be notified under the MSMED
Act, 2006:
Rs.....Lacs

(Strike off whichever is not applicable)

The above investment of Rs.....Lacs is within permissible limit of
Rs.....Lacs forMicro / Small (Strike off which is not applicable)
Category under MSMED Act 2006.

Or

The company has been graduated from its original category {Micro/ Small} (Strike off which is not
applicable) and the date of graduation of such enterprise from its original category is
(dd/mm/yyyy) which is within the period of 3 years from the date of graduation of such
enterprise from its original category as notified vide S.O. No. 3322(E) dated 01.11.2013 published
in the gazette notification dated 04.11.2013 by Ministry of MSME.

Date:

(Signature)

Name-

Membership number-

Seal of Chartered Accountant

Price Bid Annexure to Enquiry No.1415-167 Dated 22.01.2015, Due date 06.02.2015

Enq Sl. No.	Code	Description of material	Drg No	Quoted(Yes/No)	Qty (Nos)	Unit Basic Price, Rs. per No. (In figures)	Unit Basic Price, Rs. per No. (In Words)
1	220710090000	END COVER-1395	2V139501767/01	Yes/No	450		
2	220710110000	END COVER-1318	2V131801767/01	Yes/No	20		
3	220710210000	END COVER-2411	2V241101767/01	Yes/No	20		
4	220710220000	END COVER-2412	2V241201767/01	Yes/No	20		
5	220710240000	END COVER-0183	2V018301767/01	Yes/No	300		
6	220710250000	END COVER-1217	2V121701767/02	Yes/No	100		
7	220710260000	END COVER-1218	2V121801767/01	Yes/No	20		
8	220710300000	END COVER-0191	2V019101767/01	Yes/No	400		
9	220710330000	END COVER-0184	2V018401767/01	Yes/No	20		
10	220710380000	END COVER-2226	2V222601767/01	Yes/No	20		
11	220710400000	END COVER-1370	2V137001767/01	Yes/No	100		
12	220710410000	END COVER-1371	2V137101767/01	Yes/No	20		
13	220710420000	END COVER-1372	2V137201767/01	Yes/No	200		
14	220710430000	END COVER-1373	2V137301767/01	Yes/No	1500		
15	220710460000	END COVER-1376	2V137601767/01	Yes/No	200		
16	220710470000	END COVER-1386	2V138601767/01	Yes/No	200		
17	220710480000	END COVER-1387	2V138701767/01	Yes/No	100		
18	220710490000	END COVER-1512	2V151201767/01	Yes/No	100		
19	220710500000	END COVER-1388	2V138801767/01	Yes/No	100		
20	220710510000	END COVER-1377	2V137701767/01	Yes/No	20		
21	220710520000	END COVER-1378	2V137801767/01	Yes/No	1500		
22	220710530000	END COVER-1373	2V137901767/01	Yes/No	600		
23	220710540000	END COVER-1380	2V138001767/01	Yes/No	200		
24	220710550000	END COVER-1381	2V138101767/01	Yes/No	200		
25	220710560000	END COVER-1382	2V138201767/01	Yes/No	100		
26	220710570000	END COVER-1383	2V138301767/01	Yes/No	20		
27	220710580000	END COVER-1384	2V138401767/01	Yes/No	200		
28	220710680000	END COVER-0354	2V035401767/01	Yes/No	20		
29	220710690000	END COVER-2214	2V221401767/01	Yes/No	20		

Authorised signatory with seal

Enq Sl. No.	Code	Description of material	Drg No	Quoted (Yes/No)	Qnty (Nos)	Unit Basic Price, Rs. per No.
1	220710090000	END COVER-1395	2V139501767/01	Yes/No	450	Please see price bid
2	220710110000	END COVER-1318	2V131801767/01	Yes/No	20	Please see price bid
3	220710210000	END COVER-2411	2V241101767/01	Yes/No	20	Please see price bid
4	220710220000	END COVER-2412	2V241201767/01	Yes/No	20	Please see price bid
5	220710240000	END COVER-0183	2V018301767/01	Yes/No	300	Please see price bid
6	220710250000	END COVER-1217	2V121701767/02	Yes/No	100	Please see price bid
7	220710260000	END COVER-1218	2V121801767/01	Yes/No	20	Please see price bid
8	220710300000	END COVER-0191	2V019101767/01	Yes/No	400	Please see price bid
9	220710330000	END COVER-0184	2V018401767/01	Yes/No	20	Please see price bid
10	220710380000	END COVER-2226	2V222601767/01	Yes/No	20	Please see price bid
11	220710400000	END COVER-1370	2V137001767/01	Yes/No	100	Please see price bid
12	220710410000	END COVER-1371	2V137101767/01	Yes/No	20	Please see price bid
13	220710420000	END COVER-1372	2V137201767/01	Yes/No	200	Please see price bid
14	220710430000	END COVER-1373	2V137301767/01	Yes/No	1500	Please see price bid
15	220710460000	END COVER-1376	2V137601767/01	Yes/No	200	Please see price bid
16	220710470000	END COVER-1386	2V138601767/01	Yes/No	200	Please see price bid
17	220710480000	END COVER-1387	2V138701767/01	Yes/No	100	Please see price bid
18	220710490000	END COVER-1512	2V151201767/01	Yes/No	100	Please see price bid
19	220710500000	END COVER-1388	2V138801767/01	Yes/No	100	Please see price bid
20	220710510000	END COVER-1377	2V137701767/01	Yes/No	20	Please see price bid
21	220710520000	END COVER-1378	2V137801767/01	Yes/No	1500	Please see price bid
22	220710530000	END COVER-1373	2V137901767/01	Yes/No	600	Please see price bid
23	220710540000	END COVER-1380	2V138001767/01	Yes/No	200	Please see price bid
24	220710550000	END COVER-1381	2V138101767/01	Yes/No	200	Please see price bid
25	220710560000	END COVER-1382	2V138201767/01	Yes/No	100	Please see price bid
26	220710570000	END COVER-1383	2V138301767/01	Yes/No	20	Please see price bid
27	220710580000	END COVER-1384	2V138401767/01	Yes/No	200	Please see price bid
28	220710680000	END COVER-0354	2V035401767/01	Yes/No	20	Please see price bid
29	220710690000	END COVER-2214	2V221401767/01	Yes/No	20	Please see price bid

Excise Duty rate (mention in % if applicable, mention as
NIL if not applicable)

Cess on ED rate (mention in % if applicable)

CST (%) / VAT (%)

Validity of offers (As per BHEL terms 60 days validity is required)

The above prices are Firm, without any price escalation; are Rs. per piece; and are on FOR Goindwal Sahib basis.

We accept all terms and conditions of the Enquiry No. 1415-167 Dated 22.01.2015, Due date 06.02.2015

Authorised signatory with seal