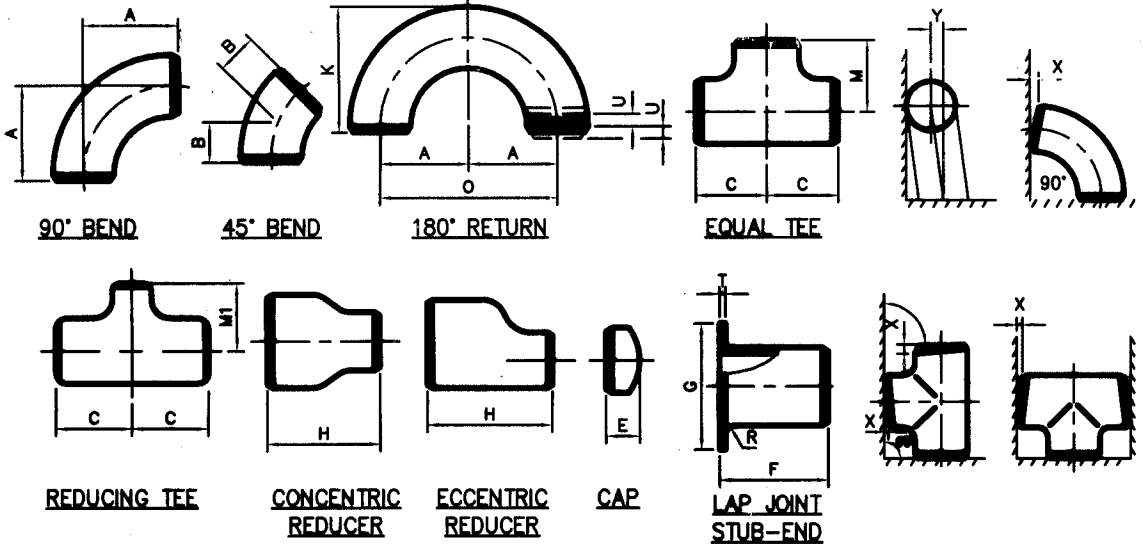


CAUTION: The information on this document is the property of BHARAT HEAVY ELECTRICALS LTD. It must not be used directly or indirectly in any way detrimental to the interest of the company.

REV	DATE	ALTERED	<i>[Signature]</i>
01	05.02.05	APPROVED	<i>[Signature]</i> APMK
TITLE BLOCK AND DRAWING ALTERED			

(REFERENCE : IBR ,REG.NO 361(A) INCLUDED IN AMENDMENT)



ALL FITTINGS				90° & 45° ELBOWS AND TEES	REDUCER	180° RETURNS			CAPS	LAP-JOINT		STUB END		
DN.	O.D AT BEVEL	I.D AT END	WALL THICKNESS	CENTER TO END A,B,C,M,M1	OVERALL LENGTH H	CENTER TO CENTER O	BACK TO FACE K	ALIGNMENT OF END U	OVER ALL LENGTH E	END TO END F	RADIUS R	DIA OF LAP G	THICKNESS OF LAP	
15 TO 65	+1.6 -0.8	±0.8	NOT LESS THAN 87 1/2% OF NOMINAL THICKNESS	±1.6	±1.6	±6.4	±6.4	±0.8	±3.2	±1.6	+ 0 -0.8	+ 0 -0.8	+1.6 - 0	
80 TO 90	±1.6	±1.6		±1.6	±1.6	±6.4	±6.4	±0.8	±3.2	±1.6	+ 0 -0.8	+ 0 -0.8	+1.6 - 0	
100	±1.6	±1.6		±1.6	±1.6	±6.4	±6.4	±0.8	±3.2	±1.6	+ 0 -0.8	+ 0 -0.8	+1.6 - 0	
125 TO 200	+2.4 -1.6	±1.6		±1.6	±1.6	±6.4	±6.4	±0.8	±6.4	±1.6	+ 0 -0.8	+ 0 -0.8	+1.6 - 0	
250 TO 400	+4.0 -3.2	±3.2		±2.4	±2.4	±9.5	±6.4	±1.6	±6.4	±2.4	+ 0 -1.6	+ 0 -1.6	+1.6 - 0	
500 & ABOVE	+6.4 -4.8	±4.8		±2.4	±2.4	±9.5	±6.4	±1.6	±6.4	±2.4	+ 0 -1.6	+ 0 -1.6	+1.6 - 0	

OFF-SQUARE TOLERANCES		
NOMINAL SIZE OF FITTING	OFF SQUARE TOLERANCE, X	OFF SQUARE TOLERANCE, Y
UP TO AND INCLUDING 100	0.8	1.6
125 TO 150	1.2	2.4
200 TO 550	1.6	3.2
600 & ABOVE	3.2	6.4

NOTES : 1. ALL DIMENSIONS ARE IN MILLIMETRES

STANDARD

	BHARAT HEAVY ELECTRICALS LIMITED PIPING CENTRE CHENNAI 600 017		DRN	NAME	SIGN	DATE	NO. OF VAR	
			CHD	ENGG. ENTERPRISES	Sd	15.10.1986		
			APPD	R. ANANTH	Sd	15.10.1986		
		APPD	J. JUDE	Sd	15.10.1986			
DEPT	GRADE OF UNTOL DIM		SCALE	WEIGHT (KG)	REF. TO ASSY./OLD DRG.		ITEM NO.	NO. OF ITEMS
CODE	C / M / F		N.T.S	-	-	-	-	
TITLE				CARD CODE	DRAWING NO.		REV	
TOLERANCES ON FITTINGS				U 01	4-80-301-26192		01	