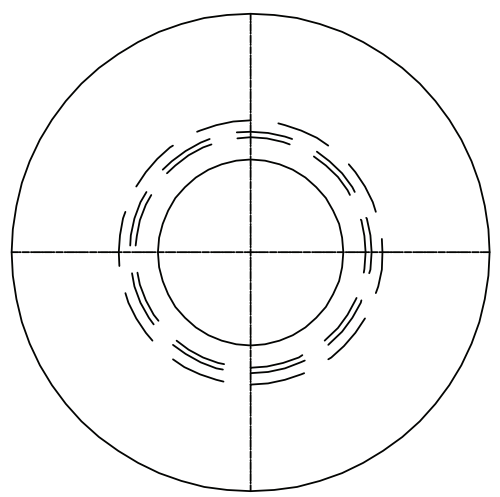
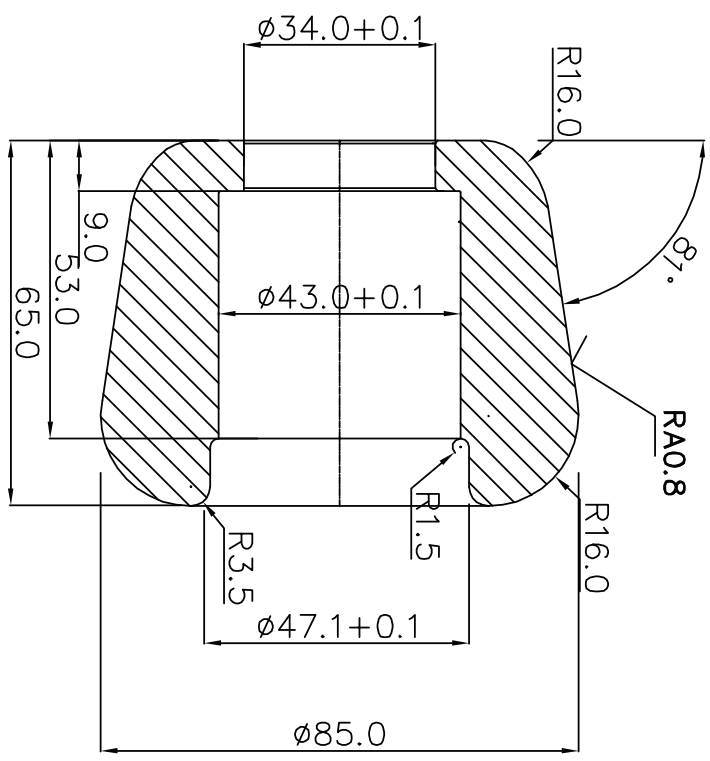


THE INFORMATION ON THIS DOCUMENT IS THE PROPERTY OF BHARAT HEAVY ELECTRICALS LIMITED. IT MUST NOT BE USED DIRECTLY OR INDIRECTLY IN ANY WAY DETRIMENTAL TO THE INTEREST OF THE COMPANY.

INVENTORY NO. SIGN. AND DATE REF. DRG. NO.



ALL SHARP CORNERS TO BE MACHINED 0.8x45°.

VAR. NO.	REMARKS	VAR. NO.	ITEM NO.	DESCRIPTION	STD	DRAWING NO.	LT. NO.	MATL. CODE	MATL. SPECN.	UNIT	UNIT WTE.	QTY.	GS
			01								1		

TYPE OF PRODUCT
NAME OF CUSTOMER
CGSM 145

BHARAT HEAVY ELECTRICALS LTD.
HYDERABAD

DEPT. CODE: 35
GRADE OF TOOL D.M.M.
SCALE: 1:1
WEIGHT(KG)
DWN. NO. BSM
APPD. MMR/AD
REF. TO RD DG 435 1351 1300
DATE: 02.06.2014
ITEM NO. 6
IND. OF VARS. 1

TITLE: **TOP FLANGE**
CADD CODE: RD DG 435 1351 1302
SHEET NO. 1
IND. OF SHEETS 1

REV.	DATE	ALTERED	REV.	DATE	ALTERED
		CHECKED			CHECKED