



BHARAT HEAVY ELECTRICALS LIMITED
INDUSTRIAL VALVES PLANT
433, INDUSTRIAL COMPLEX
GOINDWAL SAHIB
DISTT. TARN TARAN- PUNJAB – 143422

No.BHE:IVP:
SC:VLV:AD
2015-16/02
Dated
18.01.2016

NOTICE INVITING APPLICATIONS FOR REGISTRATION OF SUB CONTRACTORS

BHARAT HEAVY ELECTRICALS LIMITED [BHEL] is manufacturing Industrial Valves and other Boiler accessories at its Industrial Valves Plant, Goindwal Sahib unit. For financial year 2016-17 we have to manufacture approximately 10,000 Nos. of Valves in the size range of 2" to 32".

Expression of interest and applications for registration are invited from sub contractors (including MSE & MSE-SC/ST vendors) for doing the machining job of various components of Conventional Valves. Major areas for which subcontractors are required are casting machining, VTL, Horizontal Boring, gas cutting etc.

Machining of Items for which vendors required immediately are:

HM/LM Valves	Casting Machining of Body, Yoke, Bonnet, Disc, Fabrication of Bypass Tubes and other machining components for HM/LM range of valves. List of components, where machining vendors are required, is attached herewith as Annexure-III. Sample drawings of some components are also attached.
---------------------	---

BHEL is looking for prospective Sub Contractors for above detailed job work for BHEL.

BHEL shall evaluate the vendors as per its established vendor selection, evaluation and registration procedure. Supplier registration form can also be downloaded from our website www.bhel.com available as a downloadable link at http://www.bhel.com/images/pdf/vendor/Guidelines_Indian_Suppliers_SEARP2010Amdt.02.pdf

BHEL invites such vendors to visit its above located plant on any working day from Monday to Saturday between 0930 Hrs to 1730 Hrs and contact undersigned for any clarification regarding:

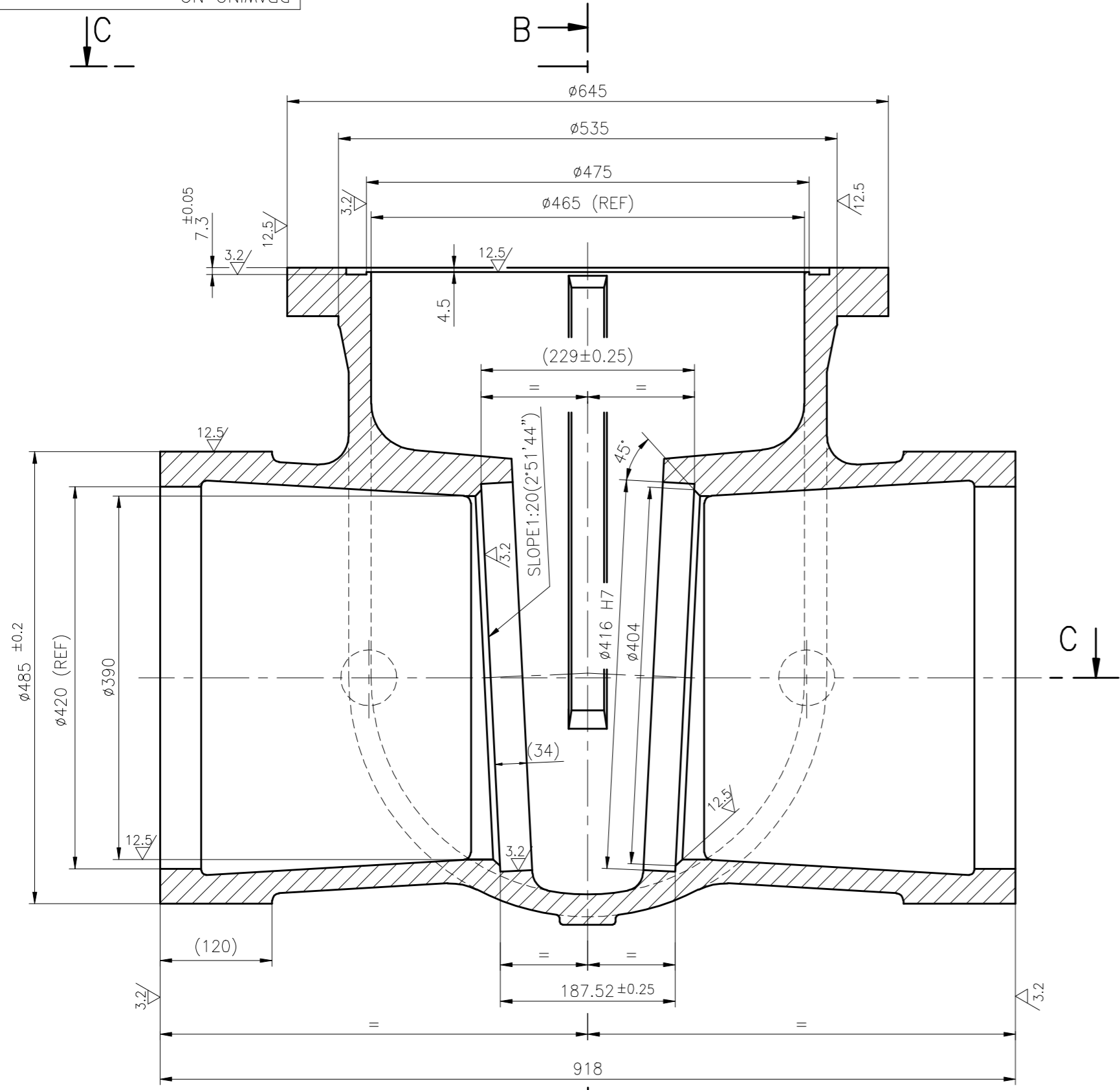
Items details and requirement		Vendor registration form/procedure
Sumeet Bansal Dy. Manager (Sub-Contracting)	Navjot Singh Engineer (Sub-Contracting)	Prikshit Ravesh Sr. Engineer (Sub-Contracting)
Phone: 01859-224647	01859-224669	01859-224654
Mobile: 098780 06105	08284077499	098880 62649
E-mail: sb@bhelivp.in	navjot@bhelivp.in	prikshit@bhelivp.in

Fax: 01859-222061

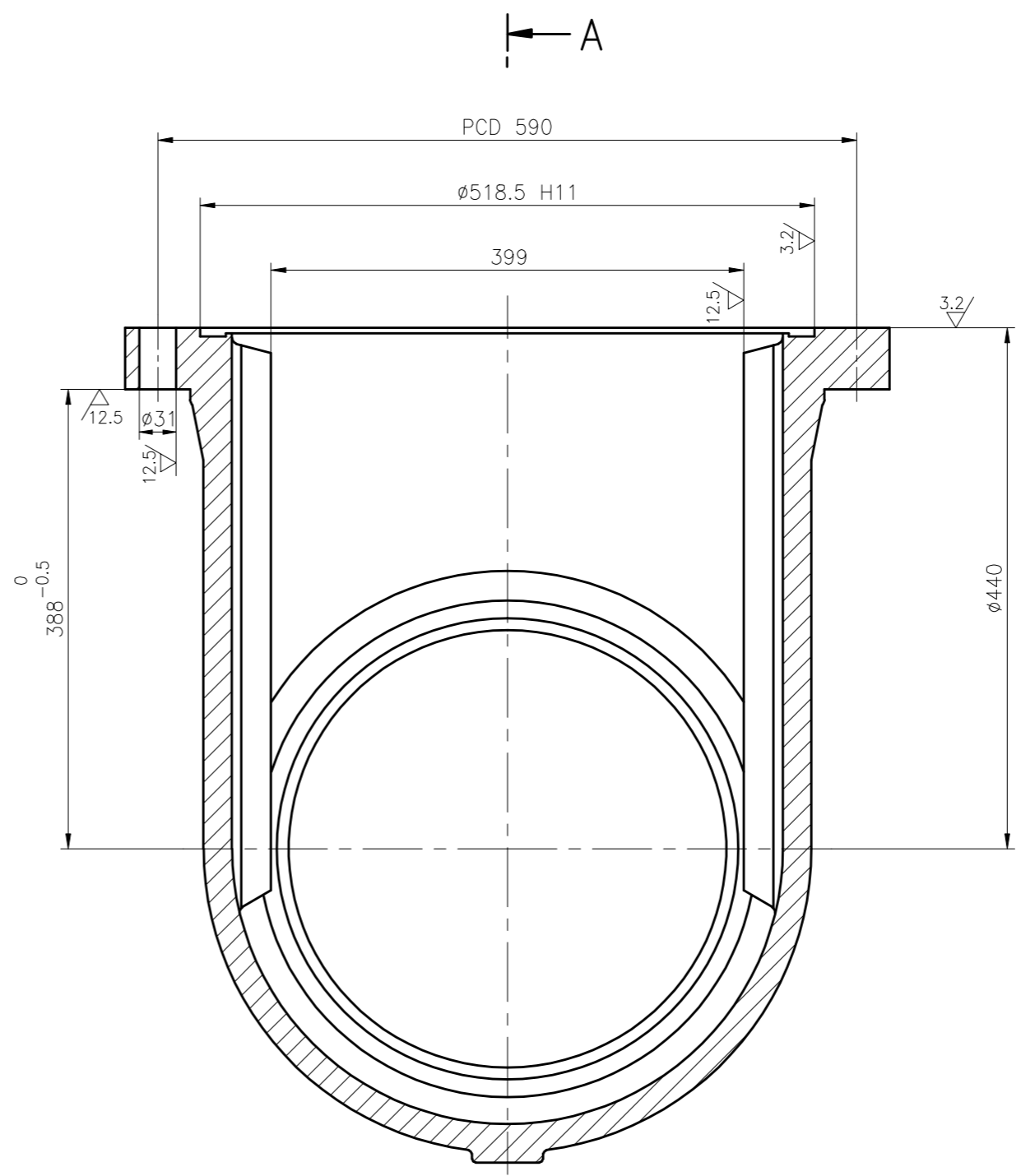
BHARAT HEAVY ELECTRICALS LIMITED
INDUSTRIAL VALVES PLANT, 433, INDUSTRIAL COMPLEX,
GOINDWAL SAHIB, DISTT. TARN TARAN, PUNJAB – 143 422

DRAWING NO. 2-V-000-14546

ALL DIMENSIONS ARE IN MILLIMETRES. FOR TOLERANCES OF UNTOLERANCED DIMENSIONS DURING MANUFACTURE REFER RELEVANT QCP / QP

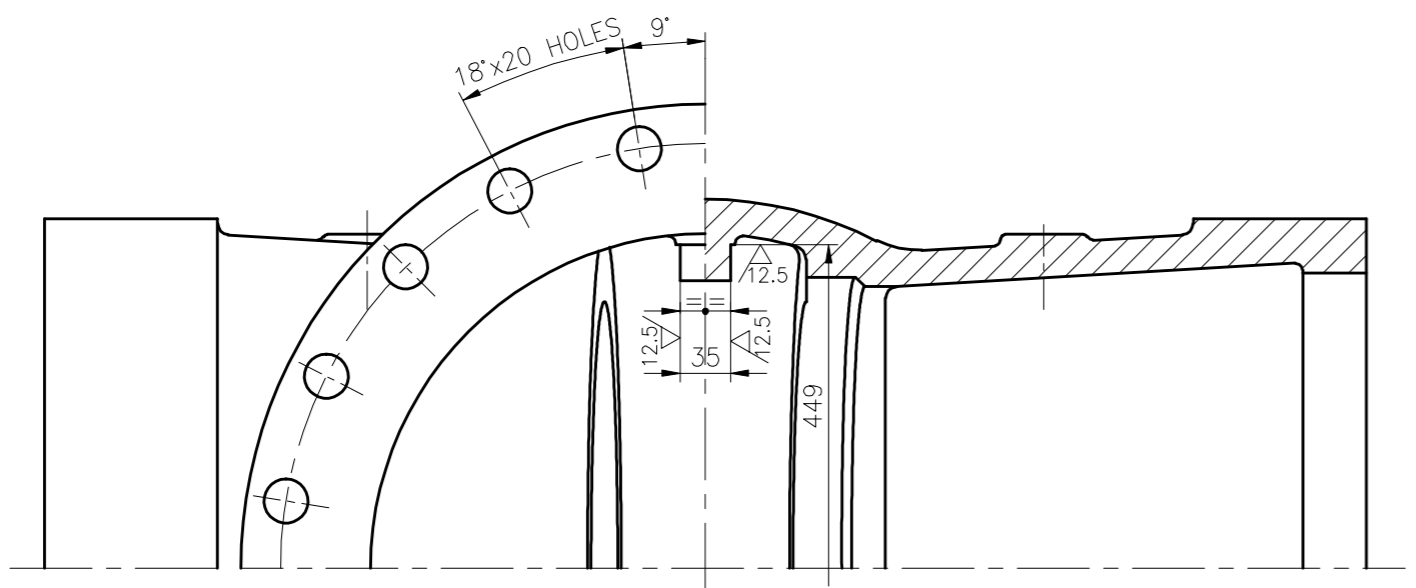


SECTION-AA



SECTION-BB

Ø518.5 H11	+0.440
	0
Ø416 H7	+0.063
	0



SECTION-CC

C300	03	CASTING	92 202 084	ASTM A217 WCB ATTEST	NORMALISED & TEMPERED	20	394	465	2-V-NG65-14546	001
C300 SPL	02	CASTING	92 202 083	ASTM A216 WCB- ATTEST	NORMALISED	10	394	465	2-V-NG64-14546	001
C300	01	CASTING	92 201 987	ASTM A216 WCB- ATTEST	NORMALISED	10	394	465	2-V-NG24-14546	001
RATING	SL No.	DESCRIPTION	MATL CODE	MATL SPECN	HEAT TREATMENT	SCRAP SORT	NET WT (kg)	GROSS WT (kg)	DRAWING No COMPONENT CODE	ITEM No

CAUTION: The information on this document is the property of BHARAT HEAVY ELECTRICALS LTD. It must not be used directly or indirectly in any way detrimental to the interest of the company.

TYPE OF PRODUCT OR NAME OF CUSTOMER/PROJECT

BHARAT HEAVY ELECTRICALS LTD.,
UNIT: HIGH PRESSURE BOILER PLANT.
TIRUCHIRAPALLI -620014.

DRN	P.B.MAHES	SIGN	DATE	NO.OF VAR.
CHD	M.SRINIVASAN		06.03.10	
APPD	M.RAJAKUAMR		06.03.10	

DEPT	VL	SCALE	WEIGHT (KG).	REFERENCE INFORMATIONS	NO. OF ITEMS
CODE	320	NTS	REF. TABLE	CAD :C214546	

TITLE: **BODY**
(18" - 300CL - BW)

CARD CODE: U 01

DRAWING NO. **2-V-0000-14546**

REV: 01

REV	DATE	ALTERED M.SRINIVASAN
01	28.07.11	CHD & APPD M.RAJAKUAMR
ZONE	SL. NO. 02 & 03 INCLUDED	

10|0790-0000-06270|01
DRAWING NO.

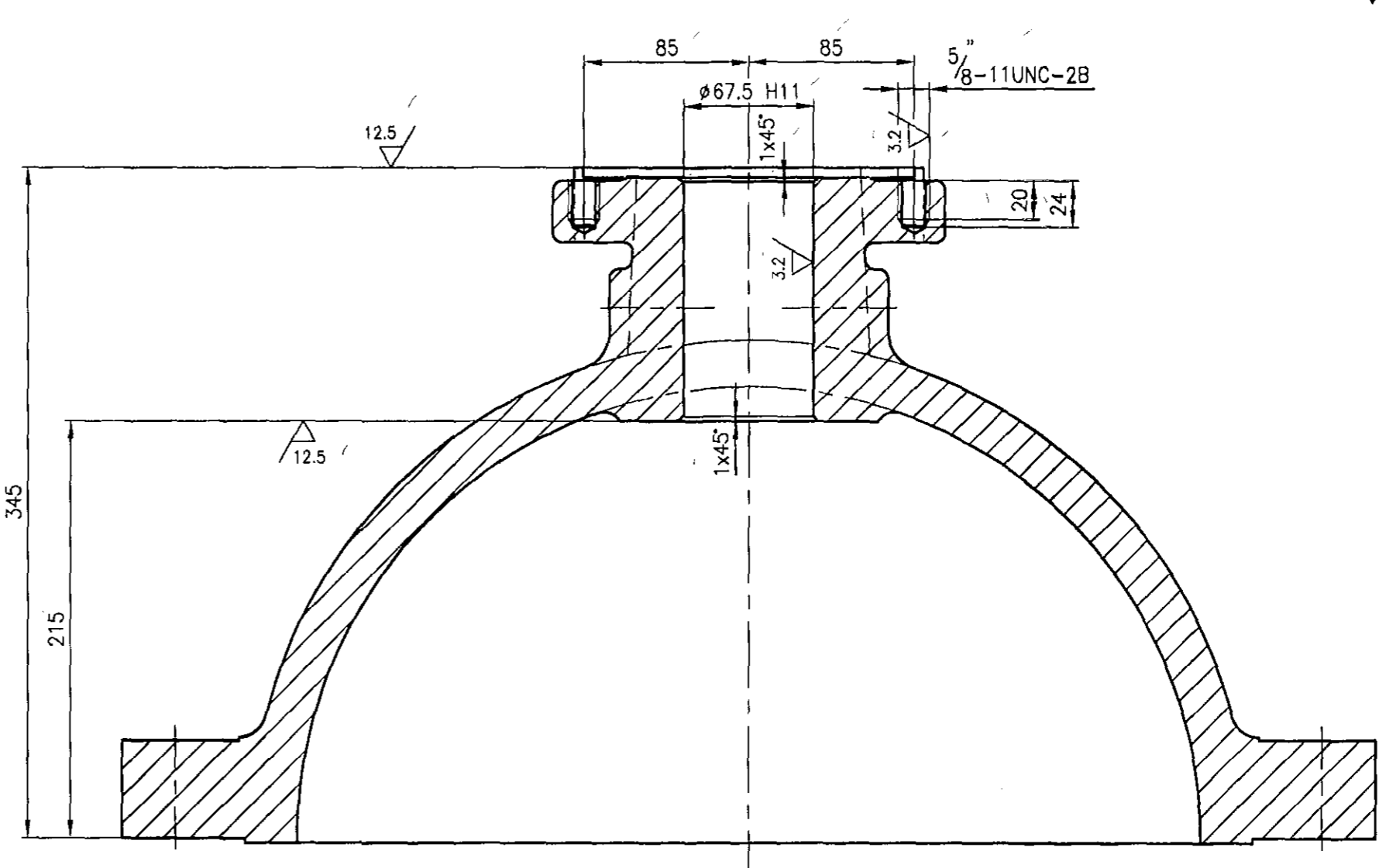
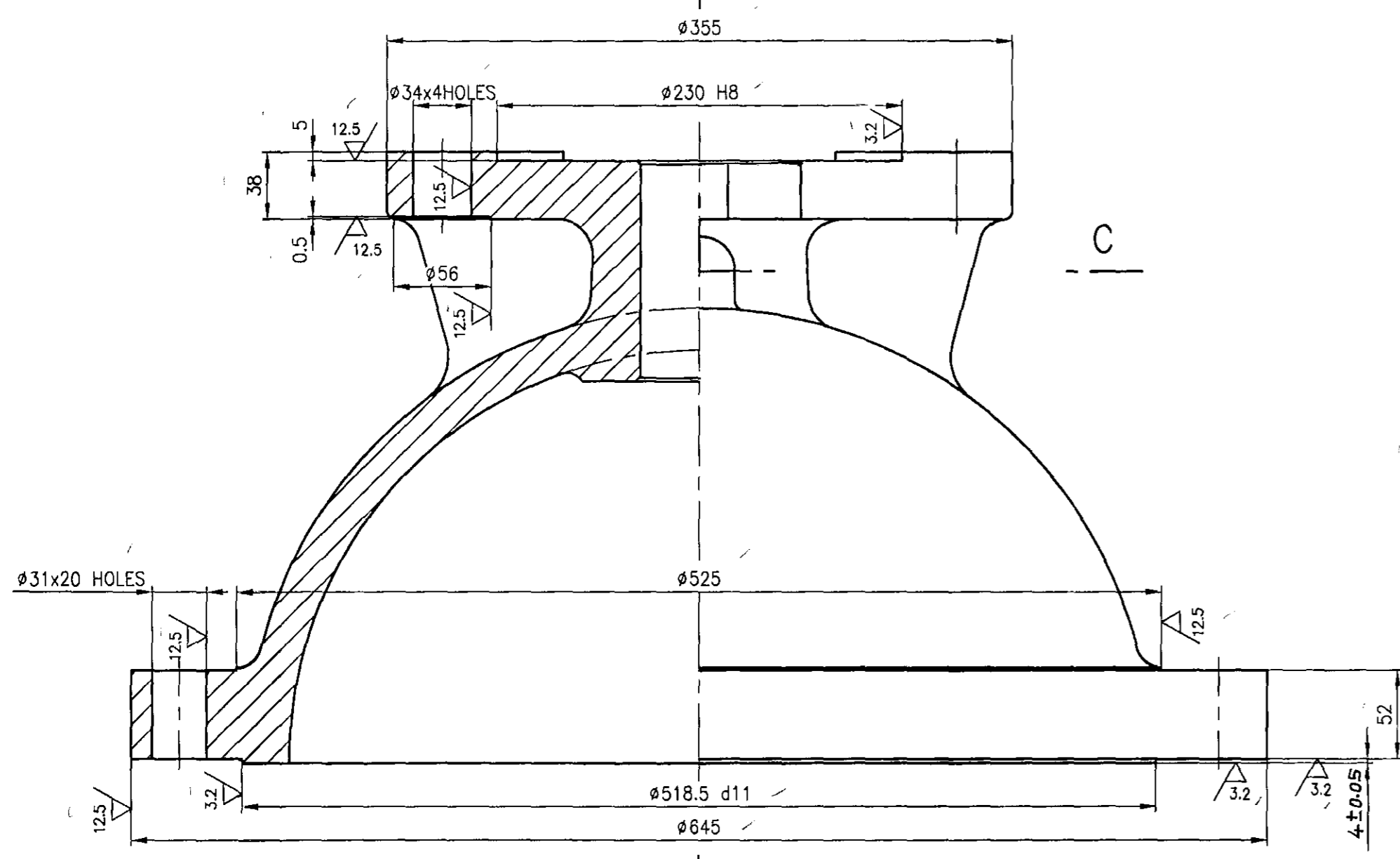
ALL DIMENSIONS ARE IN MILLIMETRES. FOR TOLERANCES OF UNTOLERANCED DIMENSIONS DURING MANUFACTURE REFER RELEVANT QCP / QP

SECTION AA B | C

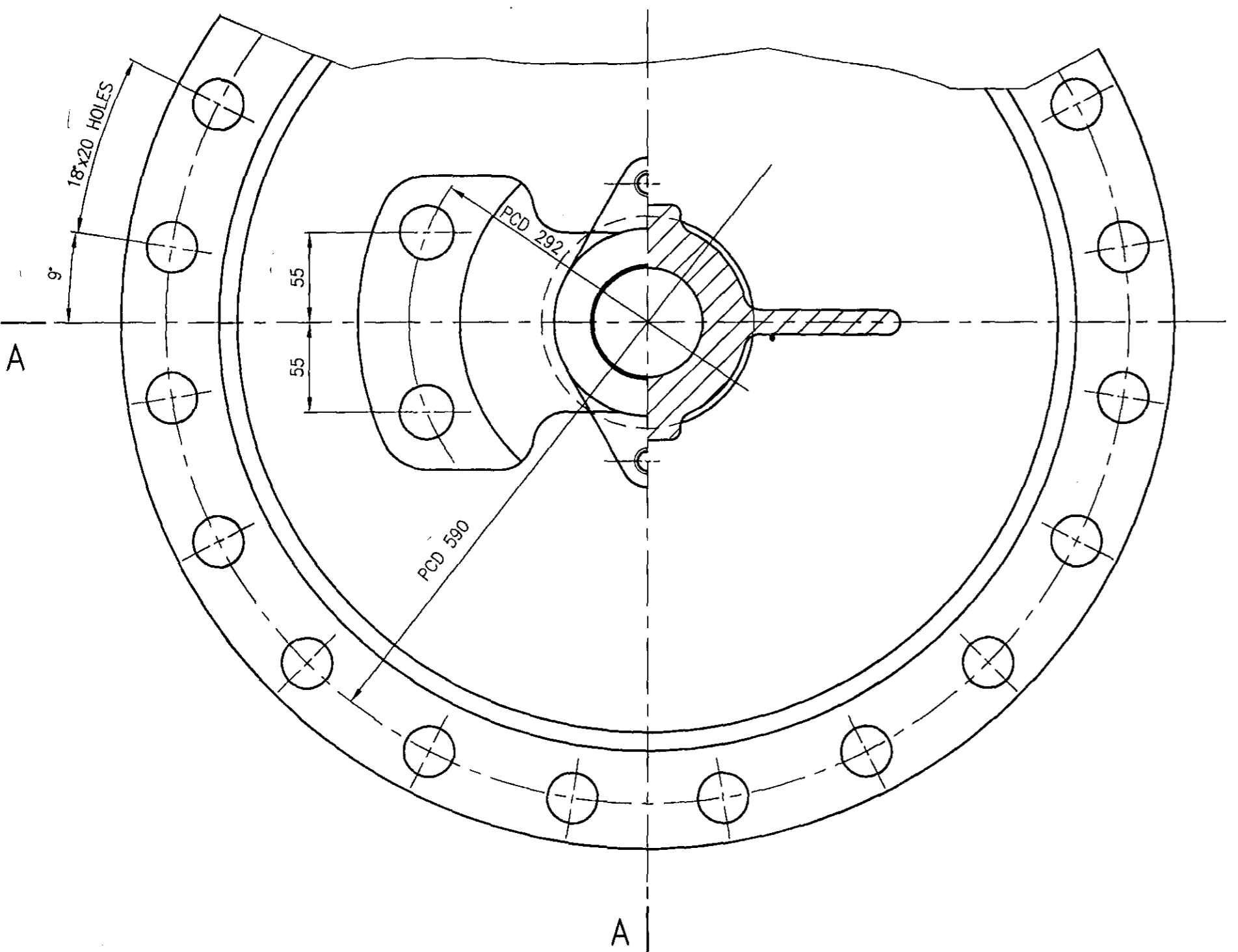
SECTION BB

12.5 / 3.2

∅230 H8	+0.072
	0
∅518.5 d11	-0.260
	-0.700
∅67.5H11	+0.190
	0



SECTION CC



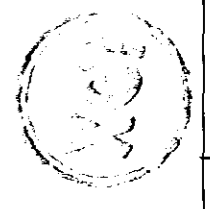
02	2-V-N616-06270	922008410000	ASTM A217 WCB, CERTIFY	NT	20	179.5	204	931075589000	
01	2-V-N436-06270	922005270000	ASTM A216-WCB, CERTIFY	NR	10	179.5	204	931069579000	
SL. No.	DRAWING No.	MATL. CODE	MATL SPECN	HEAT TREATMENT	SCRAP SORT	NET WT (kg)	GROSS WT (kg)	COMP. CODE	ITEM No

TYPE OF PRODUCT
OR NAME OF
CUSTOMER/PROJECT

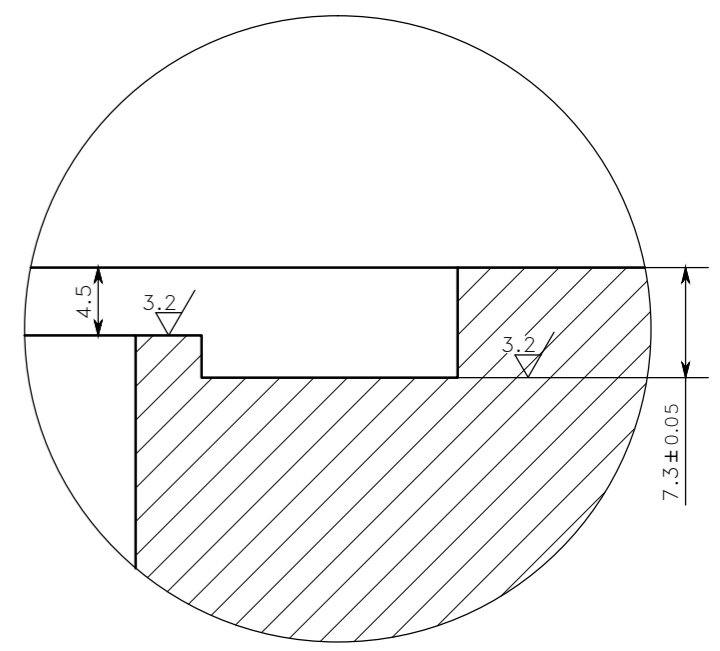
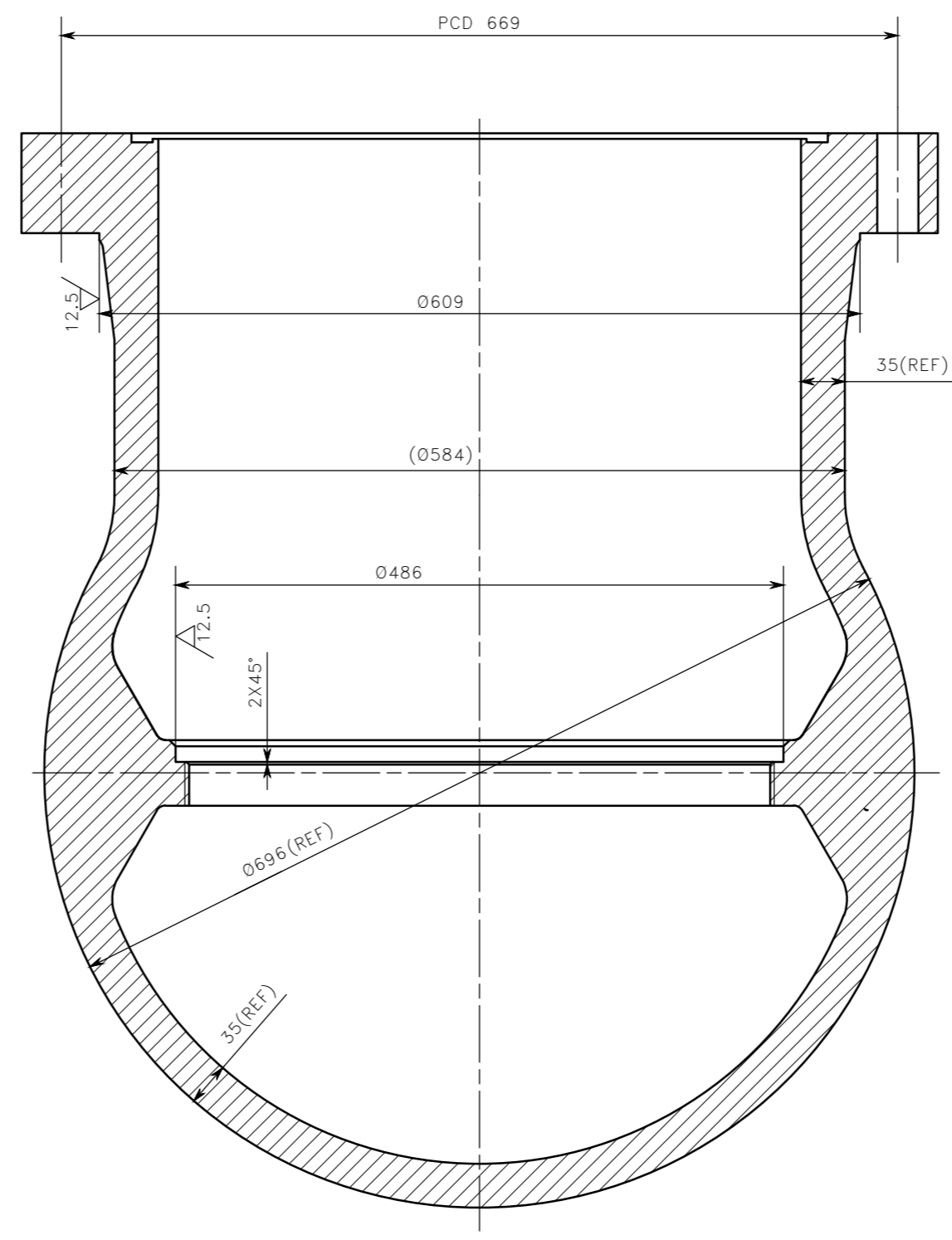
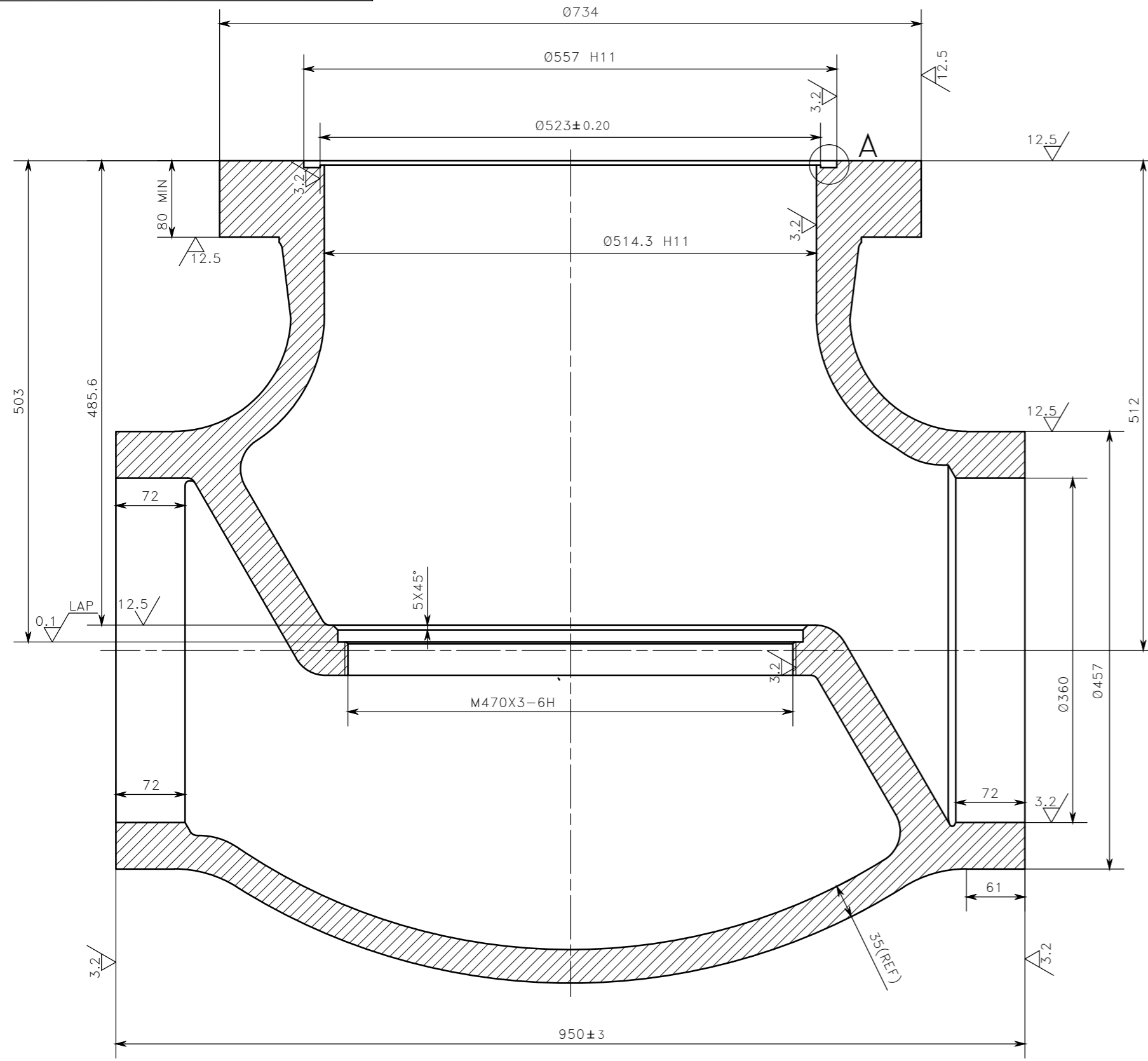
	BHARAT HEAVY ELECTRICALS LTD., UNIT: HIGH PRESSURE BOILER PLANT, TIRUCHIRAPALLI-620014.		DRN	V. BAIRAVAN	SIGN	DATE	NO. OF VAR.
	CHD	R.L. NARAYANAN	APPD	M. RAJAKUMAR	19/10/96	20/10/96	
	DEPT	V L	SCALE	WEIGHT (KG)	REFERENCE INFORMATIONS		

REV	DATE	ALTERED		N T S	DRAWING NO. 2-V-0000-06270	REV 01
01	11-1-97	CHD & APPD M.R.K.				
ZONE	SL. No. 02 INCLUDED.		TITLE BONNET		CARD CODE U 01	NO. OF ITEMS 01

CAUTION: The information on this document is the property of BHARAT HEAVY ELECTRICALS LTD. It must not be used directly or indirectly in any way detrimental to the interest of the company.

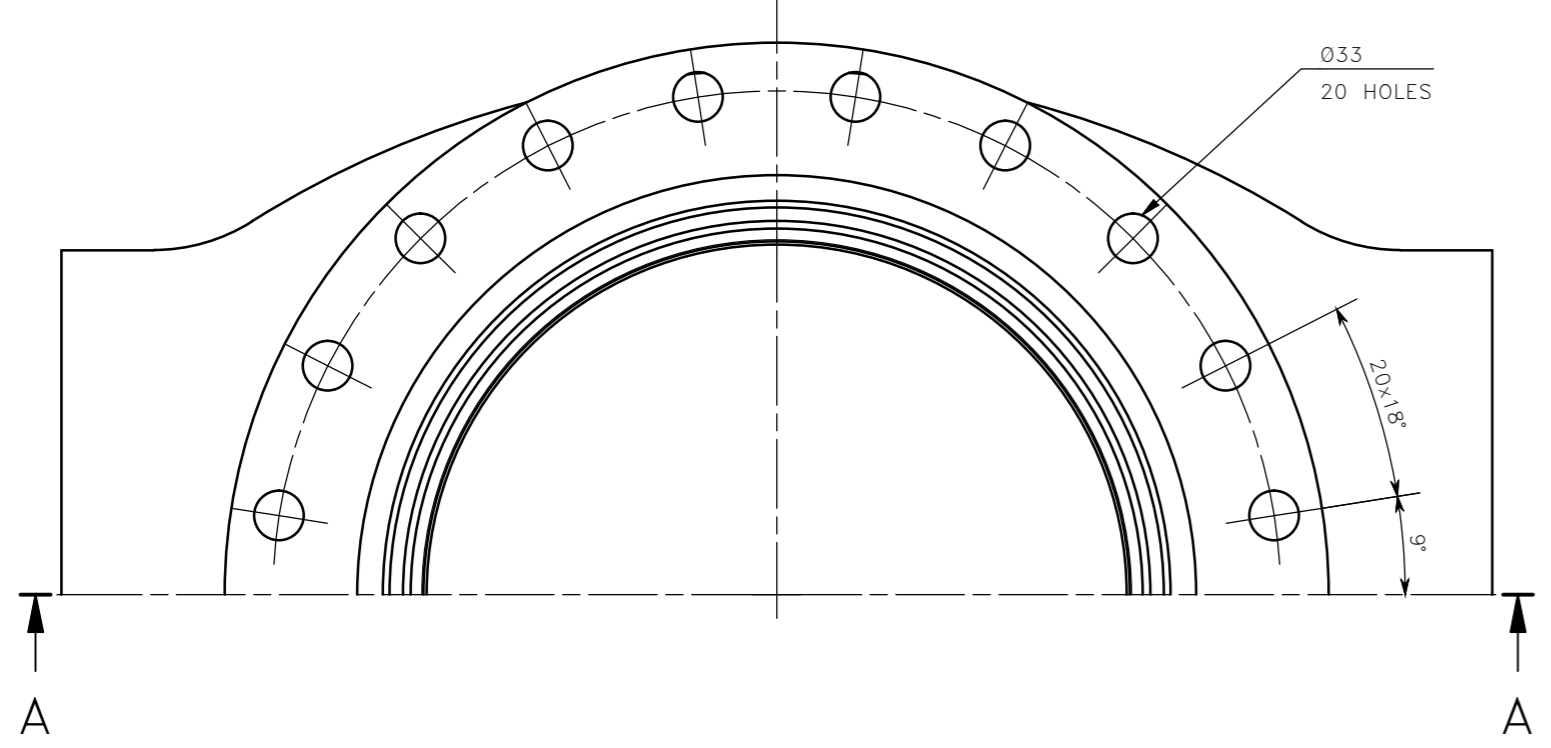


0500-0630 H11	+0.440 0
---------------	-------------



DETAIL A

SECTION A-A



NOTE

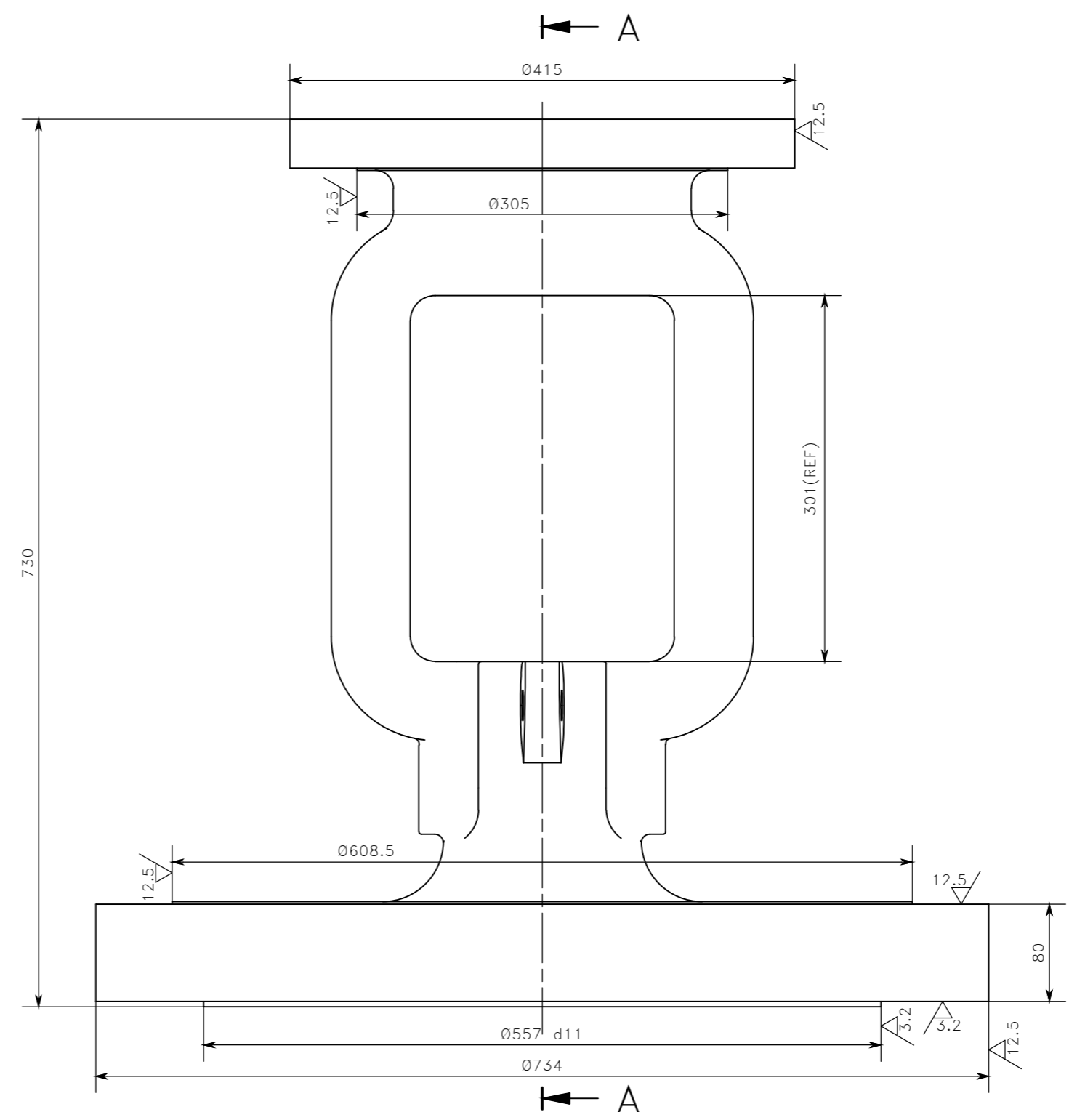
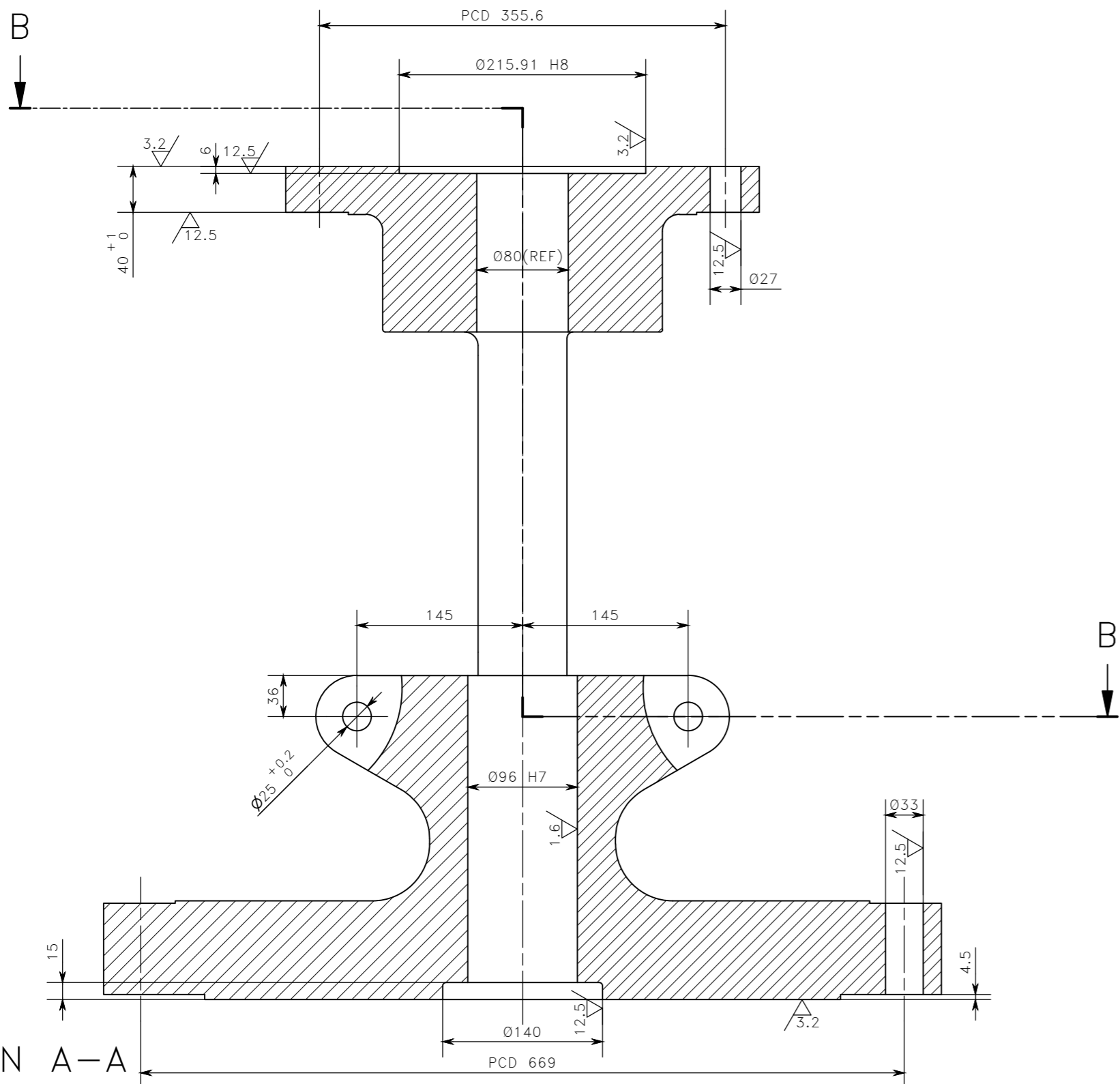
01. EDGE PREPARATION SHALL BE MADE TO SUIT PURCHASER'S REQUIREMENT. EDGE PREPARATION SHALL BE DONE AFTER HYDROSTATIC TESTING.
02. BREAK ALL SHARP CORNERS

SL. NO.	DESCRIPTION	MAT. CODE	MAT. SPECN	HEAT TREATMENT	SCRAPE	NET WT (KG)	GROSS WT (KG)	TRAINING No	ITEM No
03	CASTING	922031770000	SA 217 WC9 ATTEST	NORMALISED & TEMPERED	20	771	-	2-V-NH63-14796/01	01
02	CASTING	922031230000	SA 216 WCC ATTEST	NORMALISED	10	771	-	932031380000 2-V-NH62-14796 932039640000	01
01	CASTING	922030860000	SA 216 WCB ATTEST	NORMALISED	10	771	-	2-V-NH51-14796 932027700000	01

CAUTION: The information on this document is the property of BHARAT HEAVY ELECTRICALS LTD. It must not be used directly or indirectly in any way detrimental to the interest of the company.		TYPE OF PRODUCT OR NAME OF CUSTOMER/PROJECT		CS	
BHARAT HEAVY ELECTRICALS LTD. UNIT: HIGH PRESSURE BOILER PLANT. TIRUCHIRAPALLI-620014.		DRN	DEEPAKRAJ	SIGN	DATE
365-120		CHD	M.RAJAKUMAR		30.11.12
DEPT V L		APPD	M.RAJAKUMAR		06.12.12
CODE	320	SCALE	NTS	WEIGHT (KG)	-
TITLE		REFERENCE INFORMATIONS		NO. OF ITEMS	
BODY		CASTING DRAWING : 1VNH51105254R		NO. OF VAR.	
16"-C300-RV		CARD CODE	U 01	DRAWING NO.	
		2-V-0000-14796		REV	
				02	

REV	DATE	ALTERED	DEEPAKRAJ	REV	DATE	ALTERED	DEEPAKRAJ
02	03.10.13	CHD & APPD	DEEPAKRAJ & KRS	01	03.08.13	CHD & APPD	DEEPAKRAJ & KRS
IN SL. NO. 3 DRG. NO. 2-V-NH63-14796 WAS 2-V-NH51-14796				SL.No. 02 & 03 INCLUDED			
DCP No. 801617							

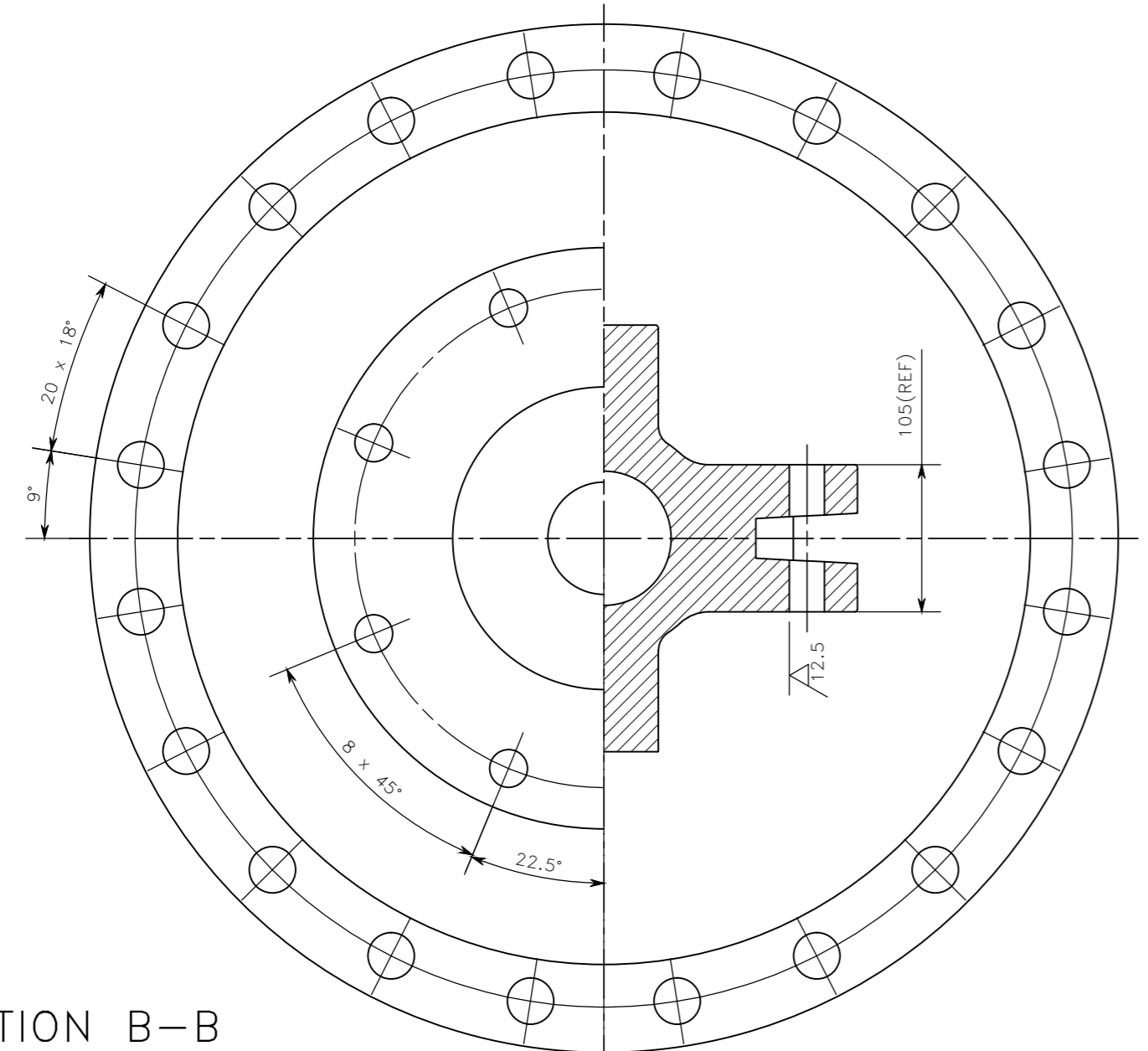
1.6/3.2/12.5



096 H7	+0.035 0
0557 d11	-0.260 -0.700
0251.91 H8	+0.072 0

SECTION A-A

SECTION B-B



REV	DATE	ALTERED	DEPT	V L	SCALE	WEIGHT (KG)	REFERENCE INFORMATION	NO. OF ITEMS
03		CASTING	922031790000	ASTM A217 WCB, CERTIFY	N&T	20 406 493	2-V-NH63-14827 932031450000	7
02		CASTING	922031850000	ASTM A216 WCC, CERTIFY	NR	10 406 493	2-V-NH62-14827 932031670000	7
01		CASTING	922030880000	ASTM A216 WCB, CERTIFY	NR	10 406 493	2-V-NH55-14827 932028820000	7

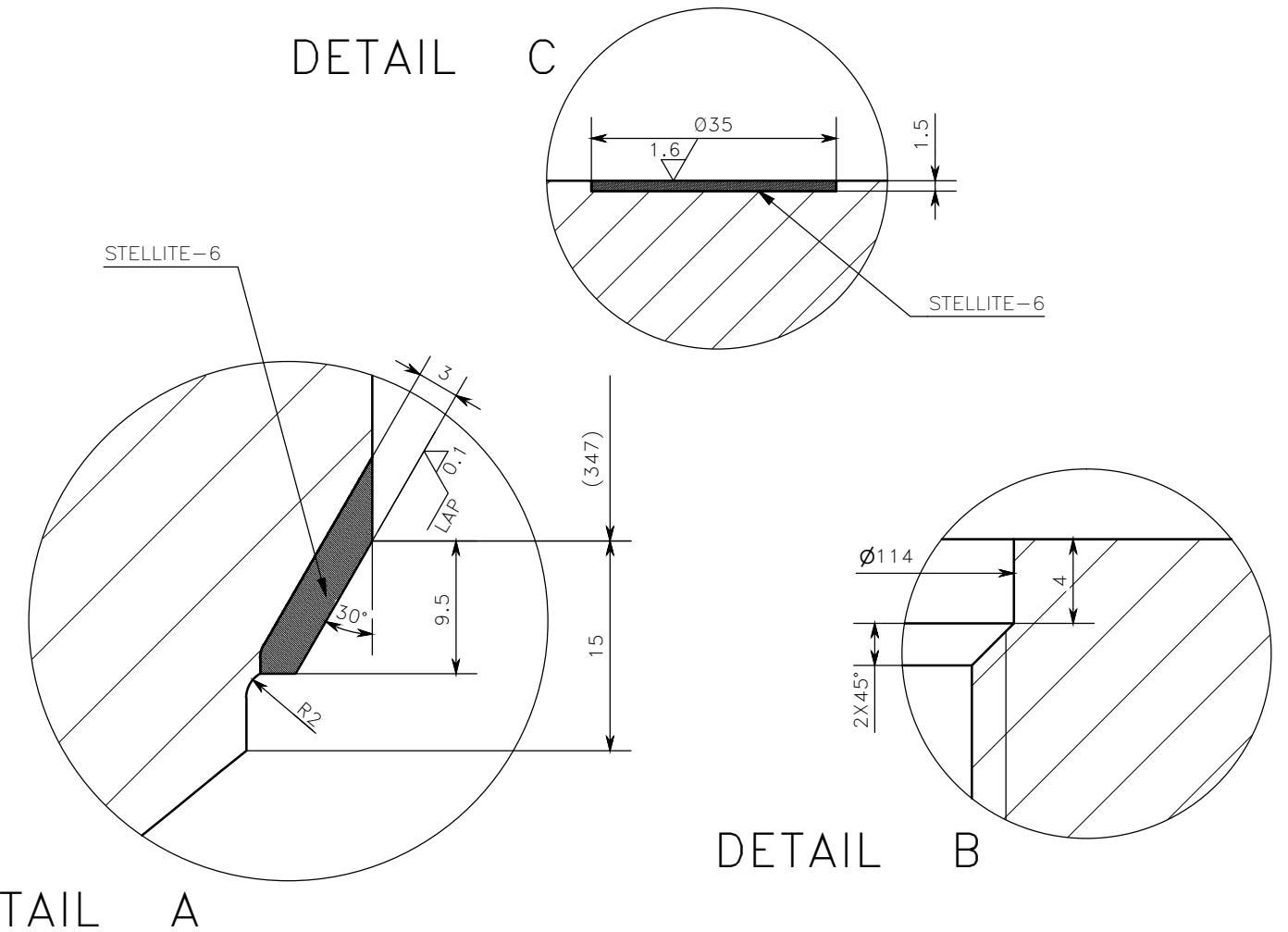
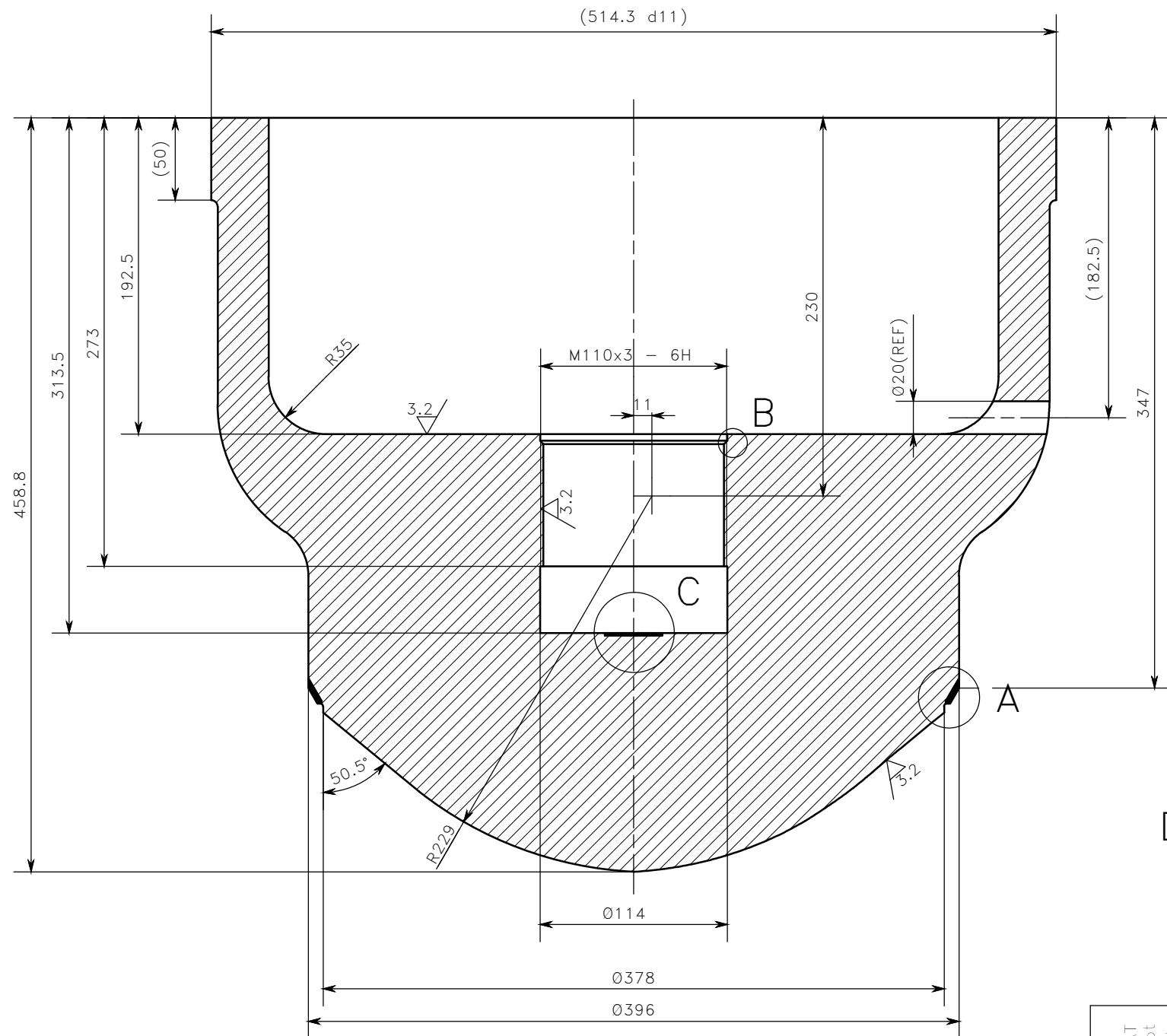
SL. NO.	DESCRIPTION	MATL. CODE	MATL. SPECN.	QTY	UNIT	NET WT. (KG)	CROSS WT. (KG)	DRAWING NO.	ITC V. NO.
TYPE OF PRODUCT OR NAME OF CUSTOMER/PROJECT: CS BHARAT HEAVY ELECTRICALS LTD., UNIT: HIGH PRESSURE BOILER PLANT, TIRUCHIRAPALLI-620014. DRN: DEEPAKRAJ, SIGN: M. RAJAKUMAR, DATE: 12.02.13 CHD: M. RAJAKUMAR, DATE: 12.02.13 APPD: M. RAJAKUMAR, DATE: 12.02.13									
DEPT: 365-120 V L: 320 CODE: 320 TITLE: YOKE COVER (16"-C300-RV)				SCALE: NTS WEIGHT (KG): -		REFERENCE INFORMATION: CASTING DRAWING 2V000014826R DRAWING NO.: 2-V-0000-14827 REV: 01			

REV	DATE	ALTERED
01	22.10.13	DEEPAKRAJ
ZONE		CHD & APPD: DEEPAKRAJ & KRS
SL.No. 02 & 03 INCLUDED		

CAUTION: The information on this document is the property of BHARAT HEAVY ELECTRICALS LTD. It must not be used directly or indirectly in any way detrimental to the interest of the company.

3-V-NH51-25241
DRAWING NO.

6.3 / 3.2 / 1.6 / 0.1



COMPONENT CODE : 932027730000

1	CASTING	922030870000	ASTM A216 WCB CERTIFY	NORMALISED	10	290	-	3-V-NH51-25241	04
NO	DESCRIPTION	MAT CODE	MATL SPECN	CAT	SCRA	NET WT (KG)	CROSS WT (KG)	DRAWING No	ITEM No

NOTE:

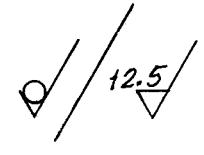
- BREAK ALL SHARP CORNERS.
- HEAT TREATMENT AS PER LATEST QUALITY PROCEDURE.
- ALL DIAMETETS CONCENTRIC TO 0.102mm T.I.R.

REV	DATE	ALTERED
		CHD & APPD

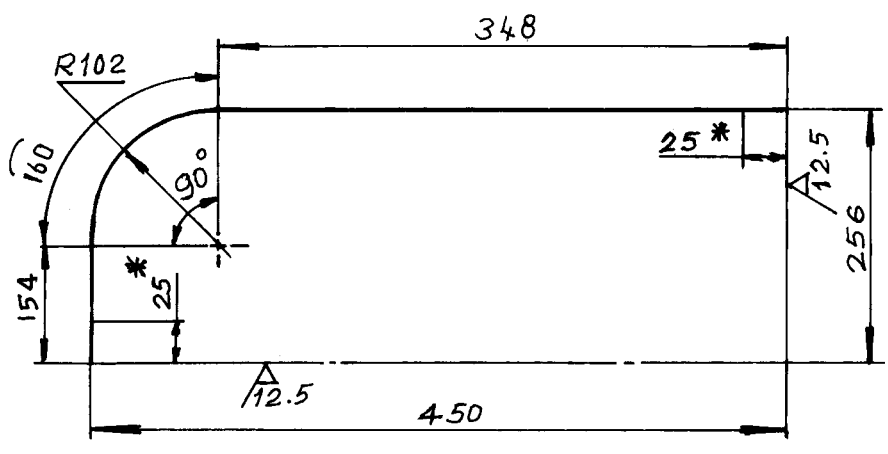
CAUTION: The information on this document is the property of BHARAT HEAVY ELECTRICALS LTD. It must not be used directly or indirectly in any way detrimental to the interest of the company.

TYPE OF PRODUCT OR NAME OF CUSTOMER/PROJECT		CS								
BHARAT HEAVY ELECTRICALS LTD., UNIT: HIGH PRESSURE BOILER PLANT. TIRUCHIRAPALLI-620014.	DRN	DEEPAKRAJ	SIGN	DATE	NO. OF VAR.					
	CHD	MRAJAKUMAR		04.03.13						
	APPD	MRAJAKUMAR		04.03.13						
DEPT	VL	SCALE	WEIGHT (KG).	REFERENCE INFORMATION			NO. OF ITEMS			
CODE	320	NTS	-	-			-			
TITLE		CARD CODE	DRAWING NO.		REV					
DISC ASSEMBLY		U 01	3-V-NH51-25241		00					
16"-C300-RV										

1. DIMENSION R 102 WAS
 R 160
 2. DEN NO. 0114



* CLEAN THIS SURFACE UPTO THE LENGTH FOR WELDING



PIPE 25 MM SCH-80 Ø 33.4 X 4.55-670L		SA 106 Gr.B, ATTEST		15 082 011	10	2.00	2.02		
NO. OF PIECES	NAME - DIMENSIONS	SEMI - PRODUCT	FINAL MATERIAL	MATL. CODE	SCRAP SORT	NET Wt (kg)	GROSS Wt (kg)	DRAWING NO.	ITEM NO.
REMARKS				TOTAL NET Wt (kg)					
NTS	SCALE	DRAWN	<i>T. K. Lakshmi</i>		ALTERATIONS	DATE	SIGNA- TURE	ALTERA- TION INDEX	
		CHECKED	<i>N. DHANAPAL</i>						
		APPROVED	<i>P. LOGANATHAN</i>						
		STDS. OFFICER							
		DATE							
TYPE			GROUP	OLD DRG.	NEW DRG.				
TITLE				DRAWING NO.					
BY PASS TUBE				4 - V - C285 - 06675 01					



33-116

Annexure-III

List of valves items in which machining Sources are required on Job work basis

S. No	Gr. No	Product Area	Description	Size
1	G1	Valves	Body Seat Ring Welding	10-C150-GV-CF8/CF8M
2	G46	Valves	Body Seat Ring Welding	2-1/2-C300-GV-CF8M/CF8
3	G88	Valves	Body Seat Ring Welding	3-C150-GV-CF8/CF8M
4	G106	Valves	Body Seat Ring Welding	3-C300-GV-CF8M/CF8
5	G129	Valves	Body Seat Ring Welding	4-C150-GV-CF8M/CF8
6	G145	Valves	Body Seat Ring Welding	4-C300-GV-CF8/CF8M
7	G174	Valves	Body Seat Ring Welding	6-C150-GV-CF8M/CF8
8	G194	Valves	Body Seat Ring Welding	6-C300-GV-CF8/CF8M
9	G199	Valves	Body Seat Ring Welding	8-C150-GV-CF8M/CF8
10	G205	Valves	Body Seat Ring Welding	8-C300-GV-CF8M/CF8
11	G5b	Valves	Body Skim Cut	10-C300-FV BW CF8M /CF8
12	G6b	Valves	Body Skim Cut	10-C300-FV BW WCB/WCC
13	G7b	Valves	Body Skim Cut	10-C300-FV FL WCB/WCC
14	G8b	Valves	Body Skim Cut	10-C300-GV BW CF8M/CF8
15	G11b	Valves	Body Skim Cut	10-C300-GV FL WCB/WCC
16	G14b	Valves	Body Skim Cut	12-C150-GV-BW CF8M/CF8
17	G15b	Valves	Body Skim Cut	12-C150-GV-FL CF8M/CF8
18	G17b	Valves	Body Skim Cut	12-C150-GV-FL WCB/WCC
19	G19b	Valves	Body Skim Cut	12-C300-FV-BW CF8M/CF8
20	G21a	Valves	Body Machining	12-C300-FV-FL-WCB/WCC/WC6/WC9
21	G31b	Valves	Body Skim Cut	14-C300-GV-FL CF8/CF8M
22	G32b	Valves	Body Skim Cut	14-C300-GV-FL WCB/WCC
23	G33b	Valves	Body Skim Cut	14-C300-GV-BW WCB/WCC
24	G39a	Valves	Body Machining	16-C300-GV-FL-WCB/WCC
25	G39b	Valves	Body Skim Cut	16-C300-GV-FL WCB/WCC
26	G40b	Valves	Body Skim Cut	16-C300-GV-BW WCB/WCC/WC6/WC9
27	G41a	Valves	Body Machining	18-C150-GV-FL WCB/WCC
28	G41b	Valves	Body Skim Cut	18-C150-GV-FL WCB/WCC
29	G42a	Valves	Body Machining	18-C150-GV-BW WCB/WCC
30	G42b	Valves	Body Skim Cut	18-C150-GV-BW WCB/WCC
31	G51	Valves	Body Machining	2-C150-FV-BW-CF8M/CF8
32	G53	Valves	Body Machining	2-C150-FV-BW-WCB/WCC
33	G61	Valves	Body Machining	2-C300-FV-BW-CF8/CF8M
34	G64	Valves	Body Machining	2-C300-FV-BW-WCB/WCC
35	G66	Valves	Body Machining	2-C300-GV-BW-CF8/CF8M
36	G70	Valves	Body Machining	2-C300-GV-BW-WCB/WCC/WC6/WC9
37	G82	Valves	Body Machining	2-C600-GV-BW-WCB/WCC/WC9 Body From Flgd
38	G133	Valves	Body Machining	4-C150-GV-FL-WCB/WCC NC Body
39	G165	Valves	Body Machining	5-C150-FV-FL-WCB/WCC/WC6/WC9
40	G169	Valves	Body Machining	5-C300-GV-BW-WCB/WCC/WC6/WC9
41	G182	Valves	Body Machining	6-C150-GV-FL-WCB/WCC NC
42	G197b	Valves	Body Machining	6-C300-GV-FL-WCB/WCC NC
43	G203b	Valves	Body Skim Cut	8-C300-GV-FL CF8/CF8M
44	G451	Valves	Body Machining	8-C300-FV-FL-CF8/CF8M
45	G454	Valves	Body Machining	8-C300-FV-FL-WCB/WCC
46	G456	Valves	Body Machining	8-C300-SV-FL-CF8/CF8M

47	G458	Valves	Body Machining	8-C300-RV-FL WCB/WCC
48	G1774	Valves	Body Machining	12" 600 GV FL WCB
49	G1873	Valves	Body Skim Cut	10-C600-GV-FL-WCB
50	G1882	Valves	Body Skim Cut	12-C600-GV-FL-GO-CF8-BP
51	G1888	Valves	Body Skim Cut	12-C600-GV-BW-GO-WCB/WCC
52	G1891	Valves	Body Skim Cut	16" 300 FV BW WCB
53	G1897	Valves	Body Skim Cut	20-150-WCB-BW-FV
54	G1902	Valves	Body Skim Cut	20-C150-GV-FL-WCB
55	G1903	Valves	Body Skim Cut	20-C150-GV-BW-WCB
56	G1904	Valves	Body Machining	20-C150-GV-FL-GO-WCB
57	G1909	Valves	Body Skim Cut	20-C300-GV-FL-WCB
58	G1911	Valves	Body Machining	20-C300-GV-FL-GO-WCB
59	G1916	Valves	Body Skim Cut	24-C150-GV-FL-WCB
60	G1917	Valves	Body Skim Cut	24-C150-GV-BW-MO-WCB
61	G1918	Valves	Body Machining	24-C150-GV-FL-WCB
62	G1962	Valves	Body Machining	14-C300-WCB-BW-FV/WC9
63	G1963	Valves	Body Skim Cut	14-300-WCB-BW-FV
64	G2133	Valves	Body Machining	24-C150-FV-BW-WCB
65	G2166	Valves	Body Skim Cut	18-C300-GV-BW-GO-WCB
66	G2008	Valves	Body Machining	20-150SPL-WCB-BW-SCV
67	G2147	Valves	Body Skim Cut	22-C300-GV-BW-GO-WCB
68	G1886	Valves	Bonnet Machining	12-C600-GV-FL-GO-CF8-BP
69	G1890	Valves	Bonnet Machining	12-C600-GV-BW-GO-WCB/WCC/WC9
70	G233	Valves	Wedge Slitting	12-C150-GV-CF8M/CF8
71	G234	Valves	Wedge Slitting	12-C150-GV-WCB/WCC
72	G252	Valves	Wedge Slitting	2-C150-GV-CF8/CF8M
73	G257	Valves	Wedge Slitting	2-C150-GV-WCB/WCC/WC6/WC9
74	G258	Valves	Wedge Rough Machining	2-C150-GV-WCB/WCC NC Wedge
75	G262	Valves	Wedge Slitting	2-C300-GV-WCB/WCC/WC9/WC6
76	G264	Valves	Wedge Rough Machining	2-C600-GV-CF8M/CF8
77	G266	Valves	Wedge Rough Machining	2-C600-GV-WCC/WCB/WC9/WC6
78	G288	Valves	Wedge Rough Machining	4-C150-GV-WCB/WCC NC WEDGE
79	G1921	Valves	Wedge Rough Machining	24-C150-GV-BW-MO-WCB
80	G2150	Valves	Wedge Rough Machining	22-C300-GV-BW-GO-WCB
81	G333	Valves	Yoke Machining	18-C150-GV-MO-WCB/WCC
82	G340	Valves	Yoke Machining	2-C150-SV-HW-CF8/CF8M
83	G346	Valves	Yoke Machining	2-C300-RV-MO-CF8M/CF8
84	G375	Valves	Yoke Machining	3-C600-GV-MO-WC6/WC9
85	G377	Valves	Yoke Machining	3-C600-SV-HW-WCB/WCC
86	G383	Valves	Yoke Machining	4-C150-GV-HW-WCB/WCC NC YOKE
87	G403	Valves	Yoke Machining	5-C300-GV-HW-WCB/WCC
88	G411	Valves	Yoke Machining	6-C150-SV-HW-CF8/CF8M
89	G510	Valves	Yoke Machining	8-C600-GV-HW-WC6/WC9
90	G2157	Valves	Yoke Machining	22-C300-GV-BW-GO-WCB
91	G1885	Valves	Yoke Machining	12-C600-GV-FL-GO-CF8-BP
92	G521	Valves	ACT FLANGE-1902	8-C150-GV-FL-GO-WCB
93	G522	Valves	ACTUATOR BASE-E363	4-C300-GV-BW-MO-WCB
94	G523	Valves	ACTUATOR BASE-E404	12-C300-GV-BW-MO-WC9
95	G524	Valves	ACTUATOR FLG-N606	8-C150-GV-BW-MO-WCB
96	G561	Valves	SLEEVE	3"-300 GV WCB

97	G602	Valves	SLEEVE-E475	8-C600-GV-BW-GO-WCB
98	G1867	Valves	SLEEVE-E112	8-C150-GV-FL-HW-WCB
99	G1945	Valves	SLEEVE-F768	12-C600-GV-BW-GO-WCB
100	G2159	Valves	SLEEVE-NE96	22-C300-GV-BW-GO-WCB
101	G608	Valves	ARM ASSY-Z047	12-C300-FV-BW-CF8M
102	G609	Valves	ARM ASSY-Z018	12-C300-FV-BW-WCB
103	G1970	Valves	ARM ASSY-Z023	14-300-WCB-BW-FV
104	G1970a	Valves	ARM ASSY-Z080	14-300-CF8M-BW-FV
105	G2138	Valves	ARM-Z067	24-C150-FV-BW-WCB
106	G646	Valves	Back Seat Final	12-C300-GV-WC6
107	G647	Valves	Back Seat Final Stellited	12-C300-GV-WCB
108	G652	Valves	Back Seat Final	14-C300-GV-WC9/C12A
109	G666	Valves	Back Seat Final	2-C300-GV-WC6
110	G667	Valves	Back Seat Final	2-C300-GV-WCB
111	G673	Valves	Back Seat Final	2-C600-GV-WC9
112	G674	Valves	Back Seat Final	2-C600-GV-WCB
113	G683	Valves	Back Seat Final	3-C300-RV-BW-HW-WC6
114	G699	Valves	Back Seat Final F6	3/4-C300-SV-FL-HW-WCB
115	G2153	Valves	Back Seat Final	22-C300-GV-BW-GO-WCB
116	G745	Valves	BALL-E085	4-C150-GV-FL-HW-WCB
117	G746	Valves	BALL-E086	12-C150-GV-FL-HW-WCB
118	G747	Valves	BASE BOT FLANGE-E324	16-C300-GV-BW-GO-WCB
119	G750	Valves	BOSS-P366	10-C300-RV-BW-MO-WCB
120	G751	Valves	BOTTOM FLANGE-E332	6-C600-GV-BW-HW-WCB-BP
121	G752	Valves	BOTTOM FLANGE-E378	8-C600-GV-BW-GO-WCB-SG-BP
122	G755	Valves	BOTTOM PLATE-N631	12-C300-GV-BW-HW-WCB
123	G756	Valves	BOTTOM PLATE-K268	2-C150-GV-BW-HW-WCB
124	G757	Valves	BOTTOM PLATE-N209	3-C300-GV-FL-HW-WCB
125	G759	Valves	BOTTOM PLATE-NC08	8-C150-GV-FL-HW-WCB
126	G760	Valves	BRACKET-F742	6-C600-GV-FL-HW-WCB-BP
127	G765	Valves	BRG RETAINER-N201	2-C150-GV-FL-HW-WCB
128	G773	Valves	BUSH-E480	10-C300-GV-FL-HW-WCB
129	G775	Valves	BUSH-N207	6-C150-GV-FL-HW-WCB
130	G776	Valves	BUSH-K932	8-C300-RV-BW-HW-WCB
131	G777	Valves	TUBE OF BYPASS	10-C150-GV-BP
132	G778	Valves	TUBE OF BYPASS	10-C300-GV-BP
133	G779	Valves	TUBE OF BYPASS	12-C150-GV-BP
134	G780	Valves	TUBE OF BYPASS	12-C300-GV-BP
135	G781	Valves	TUBE OF BYPASS	14-C150-GV-BP
136	G782	Valves	TUBE OF BYPASS	14-C300-GV-BP
137	G783	Valves	TUBE OF BYPASS	16-C150-GV-BP
138	G784	Valves	TUBE OF BYPASS	16-C300-GV-BP
139	G785	Valves	TUBE OF BYPASS	18-C150-GV-BP
140	G786	Valves	TUBE OF BYPASS	4-C300-GV-BP
141	G787	Valves	TUBE OF BYPASS	6-C150-GV-BP
142	G788	Valves	TUBE OF BYPASS	6-C300-GV-BP
143	G789	Valves	TUBE OF BYPASS	6-C600-GV-BP
144	G790	Valves	TUBE OF BYPASS	8-C300-GV-BP
145	G791	Valves	TUBE OF BYPASS	8-C600-GV-BP
146	G1955	Valves	TUBE OF BYPASS	12-C600-GV-FL-MO-WCB-BP

147	G2020	Valves	TUBE OF BYPASS-N477	20-C150-GV-BW-GO-WCB-BP
148	G2021	Valves	TUBE OF BYPASS-N933	20-C150-GV-FL-GO-WCB-BP
149	G2022	Valves	TUBE OF BYPASS-NE44	20-C150-GV-BW-MO-WCB-BP
150	G2047	Valves	TUBE OF BYPASS-C285	20-C300-GV-BW-GO-WCB-BP
151	G2065	Valves	TUBE OF BYPASS	24-C150-GV-BW-MO-WCB-BP
152	G792	Valves	CAP TUBE-NA43	16-C150-GV-BW-MO-WCB
153	G795	Valves	CHAIN WHEEL-400-K295	6-C150-GV-FL-HW-WCB
154	G796	Valves	CHAIN WHEEL-K243	6-C300-SV-BW-HW-WCB
155	G797	Valves	CHAIN WHEEL-450-K296	8-C150-GV-BW-HW-WCB
156	G798	Valves	CHAIN WHEEL-450-S568	8-C300-RV-BW-HW-WCB
157	G804	Valves	COMP.FL.2/600C-K246	2-C600-GV-FL-HW-WCB
158	G806	Valves	COMPANION FLANGE-K001	4-C150-GV-FL-HW-WCB
159	G811	Valves	COMP.FL.6/600C-K249	6-C600-GV-FL-HW-WCB
160	G814	Valves	COMP.FL.8/600C-K250	8-C600-GV-FL-GO-WCB
161	G832	Valves	CONN PIN-E100	4-C150-GV-FL-HW-WCB
162	G833	Valves	CONN TUBE-E473	12-C150-GV-FL-HW-WCB
163	G834	Valves	CONN TUBE-E353	16-C150-GV-FL-MO-WCB
164	G835	Valves	CONNECTING TUBE-E357	4-C150-GV-FL-HW-WCB
165	G836	Valves	COUPLING-E474	4-C150-GV-FL-HW-WCB
166	G846	Valves	COVER	2-1/2-C300-FV-BW-WCB
167	G849	Valves	COVER	2-C300-FV-BW-CF8
168	G850	Valves	COVER	2-C300-FV-FL-WC6
169	G851	Valves	COVER	2-C300-FV-FL-WCB
170	G1971	Valves	COVER	14-300-WCB-BW-FV/WC9
171	G890	Valves	Disk Final SV	6-C150-SV-CF8
172	G899	Valves	Disc Retainer SV	2-C150-SV-CF8
173	G908	Valves	End Cover	10-C150-GV-FL-HW-WCB
174	G909	Valves	End Cover	12-C150-GV-FL-GO-WCB
175	G910	Valves	End Cover Ext. Spindle	12-C150-GV-FL-HW-WCB
176	G911	Valves	End Cover	14-C150-GV-FL-GO-WCB
177	G912	Valves	End Cover	16-C150-GV-FL-GO-WCB
178	G913	Valves	End Cover	2-C150-GV-FL-HW-WCB
179	G914	Valves	End Cover	3-C150-GV-FL-HW-WCB
180	G915	Valves	End Cover	3-C600-GV-BW-HW-WCB
181	G916	Valves	End Cover Ext. Spindle	4-C150-GV-FL-HW-WCB
182	G917	Valves	End Cover	4-C150-GV-FL-HW-WCB
183	G919	Valves	End Cover	6-C150-GV-FL-HW-WCB
184	G921	Valves	End Cover	6-C300-GV-FL-HW-WCC
185	G922	Valves	End Cover	8-C150-GV-FL-HW-WCB
186	G925	Valves	FIXING CLAMP-K011	10-C300-GV-BW-HW-WCB
187	G926	Valves	FIXING CLAMP-U109	12-C300-GV-BW-HW-WCB
188	G927	Valves	FIXING CLAMP-K324	2-C150-GV-BW-HW-WCB
189	G928	Valves	FIXING CLAMP	3-C300-GV-FL-HW-WCB
190	G929	Valves	FIXING CLAMP-K163	8-C150-GV-BW-HW-WCB
191	G930	Valves	FIXING PLATE-E471	16-C300-GV-BW-GO-WCB
192	G931	Valves	FIXING PLATE-K011	8-C150-GV-BW-HW-WCB
193	G932	Valves	FLANGE-E377	10-C300-GV-BW-HW-WCB
194	G933	Valves	FLANGE-P474	10-C300-RV-BW-GO-WCB
195	G934	Valves	FLANGE-P366	10-C300-RV-BW-MO-WCB
196	G936	Valves	FLANGE-E046	4-C150-GV-FL-HW-WCB

197	G944	Valves	GLAND FLANGE	10-C150-GV-FL-MO-WCB
198	G946	Valves	GLAND FLANGE	10-C300-RV-BW-MO-WCB
199	G954	Valves	GLAND FLANGE	18-C150-GV-FL-GO-WCB
200	G1980	Valves	GLAND FLANGE	10-C600-GV-FL-MO-WCB-BP
201	G2068	Valves	GLAND FLANGE	24-C150-GV-BW-MO-WCB
202	G2155	Valves	GLAND FLANGE	22-C300-GV-BW-GO-WCB
203	G991	Valves	Gland Follower	2-C150-SV-CF8
204	G2156	Valves	Gland Follower	22-C300-GV-BW-GO-WCB
205	G1021	Valves	GLAND-B001	2-C600-GV-FL-HW-WC9
206	G1023	Valves	GUIDE BRACKET AS-A982	8-C150-GV-BW-HW-WCB
207	G1024	Valves	GUIDE BRACKET AS-A985	6-C150-GV-FL-HW-WCB
208	G1025	Valves	GUIDE BUSH-E195	4-C150-GV-FL-HW-WCB
209	G1026	Valves	GUIDE BUSH-E196	12-C150-GV-FL-HW-WCB
210	G1028	Valves	H.W RETAINER-B001	2-C600-GV-FL-HW-WC6
211	G1029	Valves	H.W RETAINER-B004	6-C600-GV-BW-HW-WCB
212	G1030	Valves	H W RETAINER-1530	8-C600-GV-RTJ-HW-WC6
213	G1037	Valves	HUB-K357	4-C300-GV-BW-HW-WCB
214	G1039	Valves	INDICATOR DISC-N790	12-C150-GV-FL-GO-WCB
215	G1040	Valves	INDICATOR DISC-N628	12-C300-GV-BW-GO-WC9
216	G1041	Valves	INDICATOR DISC-1149	3-C600-GV-BW-HW-WCB
217	G1043	Valves	INDICATOR DISC-2935	4-C300-SV-BW-MO-WCB
218	G1045	Valves	INDICATOR DISC-N244	8-C300-GV-BW-HW-WC9
219	G1046	Valves	INDICATOR RING-1286	16-C300-GV-BW-MO-WCB
220	G1047	Valves	INDICATOR RING-B001	2-C600-GV-FL-HW-WC6
221	G1048	Valves	INDICATOR-E125	12-C150-GV-FL-HW-WCB
222	G1049	Valves	INDICATOR-N207	10-C150-GV-FL-HW-WCB
223	G1050	Valves	INDTR. ARRANGEMENT	10"-150 GV WCB
224	G1051	Valves	INDTR. ARRANGEMENT	10"-300 GV WCB
225	G1052	Valves	INDTR. ARRANGEMENT	12"-150 GV WCB
226	G1053	Valves	INDTR. ARRANGEMENT	12"-300 GV WCB/WC6/WC9
227	G1054	Valves	INDTR. ARRANGEMENT	2-C150-GV-WCB
228	G1055	Valves	INDTR. ARRANGEMENT	2-C300-GV-WCB
229	G1057	Valves	INDTR. ARRANGEMENT	3-C300-GV-WCB
230	G1058	Valves	INDTR. ARRANGEMENT	4-C150-GV-WCB/CF8M
231	G1059	Valves	INDTR. ARRANGEMENT	4-C300-GV-WCB
232	G1061	Valves	INDTR. ARRANGEMENT	6-C300-GV-WCB
233	G1062	Valves	INDTR. ARRANGEMENT	6-C600-GV-WCB
234	G1065	Valves	INDTR. ARRANGEMENT	8-C600-GV-WCB
235	G1066	Valves	JOINT END-E081	12-C150-GV-FL-HW-WCB
236	G1067	Valves	JOINT END-E091	12-C150-GV-FL-HW-WCB
237	G1068	Valves	JOINT END-E080	4-C150-GV-FL-HW-WCB
238	G1069	Valves	JOINT END-E090	4-C150-GV-FL-HW-WCB
239	G1077	Valves	LANTERN RING	2-C600-GV-WC6-SG
240	G1083	Valves	LANTERN RING	4-C600-GV-RTJ-HW-WCB-SG
241	G2161	Valves	LANTERN RING-NG12	22-C300-GV-BW-GO-WCB
242	G1090	Valves	LEVER ARM-M662	3-C300-SV-FL-HW-WCB
243	G1092	Valves	LEVER PIN-M662	3-C300-SV-FL-HW-WCB
244	G1096	Valves	LOCK BUSH-N213	12-C300-GV-BW-GO-WCB
245	G1098	Valves	LOCK BUSH-N204	8-C600-GV-FL-GO-WCB
246	G1099	Valves	LOCK HOOK-N206	10-C150-GV-BW-HW-WCB

247	G1100	Valves	LOCK HOOK-NC51	12-C150-GV-FL-GO-WCB
248	G1101	Valves	LOCKING ARRGT.HOOK	12-C300-GV-BW-GO-WCB
249	G1102	Valves	LOCK HOOK-N723	14-C150-GV-FL-GO-WCB
250	G1103	Valves	LOCKING ARRGT.HOOK	16-C150-GV-FL-GO-WCB
251	G1104	Valves	LOCK HOOK-N201	2-C150-GV-FL-HW-CF8
252	G1105	Valves	LOCK HOOK-N204	2-C600-GV-FL-HW-WCB
253	G1106	Valves	LOCK HOOK-N213	6-C600-GV-BW-HW-WCB
254	G1107	Valves	LOCK HOOK-N205	8-C150-GV-BW-HW-WCB
255	G1108	Valves	LOCK HOOK-N954	8-C600-GV-FL-GO-WCB
256	G1109	Valves	LOCK PLATE	10-C150-GV-BW-HW-WCB
257	G1111	Valves	LOCK PLATE	12-C150/300-GV-FL-GO-WCB
258	G1113	Valves	LOCK PLATE	14-C150-GV-FL-GO-WCB
259	G1114	Valves	LOCK PLATE	2-C150-GV-FL-HW-CF8
260	G1116	Valves	LOCK PLATE	3-C600-GV-BW-HW-WCB
261	G1119	Valves	LOCK PLATE	6-C600-GV-BW-HW-WCB
262	G1122	Valves	LOCK PLATE	8-C600-GV-FL-GO-WCB
263	G1124	Valves	MOUNTING PLATE-N206	10-C150-GV-FL-HW-WCB
264	G1125	Valves	MOUNTING PLATE-N207	12-C150-GV-FL-HW-WCB
265	G1126	Valves	MOUNTING PLATE-K922	3-C300-GV-FL-HW-WCB
266	G1127	Valves	MOUNTING PLATE-N204	6-C150-GV-FL-HW-WCB
267	G1128	Valves	MOUNTING PLATE-N205	8-C150-GV-FL-HW-WCB
268	G1129	Valves	PILLAR-E235	12-C150-GV-FL-HW-WCB
269	G1131	Valves	PILLAR	16-C300-GV-BW-GO-WCB
270	G1135	Valves	PIN-N812	12-C300-GV-BW-GO-WCB
271	G1139	Valves	PIN-1450	2-C600-GV-BW-HW-WCB
272	G1140	Valves	PIN-E065	4-C150-GV-FL-HW-WCB
273	G1141	Valves	PIN-E105	4-C150-GV-FL-HW-WCB
274	G1142	Valves	PIN-E115	4-C150-GV-FL-HW-WCB
275	G1143	Valves	PIN-K661	6-C300-SV-FL-HW-WCB
276	G1144	Valves	PLUG-5159	10-C300-FV-FL-WCB
277	G1145	Valves	PLUG	2-C300-FV-FL-WC6/WCB
278	G1146	Valves	PLUG 1/4 NPT-C281	2-C300-GV-BW-HW-WCB
279	G1147	Valves	PLUG	3-C150-FV-FL-CF8/CF8M
280	G1148	Valves	PLUG-5196	4-C300-FV-BW-CF8
281	G1149	Valves	PLUG 3/4 NPT (F316)-5196	6-C150-FV-FL-CF8
282	G1150	Valves	PLUG-5182	6-C300-FV-FL-WC9
283	G1151	Valves	PLUG-Z001	8-C150-FV-FL-CF8
284	G1152	Valves	PLUG	8-C150-FV-FL-WCB
285	G1153	Valves	PLUG	8-C300-FV-BW-WC9/WCB
286	G1154	Valves	PLUG	8-C300-GV-BW-MO-WC6
287	G1155	Valves	SCREW PLUG - 1/2-F604	4-C300-GV-BW-HW-WCB
288	G1181	Valves	RETAINER BOSS-P366	10-C300-RV-WCB
289	G1182	Valves	RETAINER GUIDE-P366	10-C300-RV-WCB
290	G1183	Valves	RETAINER-N207	10-C150-GV-WCB
291	G1185	Valves	RETAINER-N631	12-C300-GV-WCB
292	G1186	Valves	RETAINER-K585	16-C150-GV-WCB
293	G1187	Valves	RETAINER-1217	16-C300-GV-WCB
294	G1188	Valves	RETAINER-NC02	2-C150-GV-WCB
295	G1189	Valves	RETAINER-F502	3-C600-GV-WCB
296	G1202	Valves	Disc Retainer RV	10-C300-RV-WCB

297	G1206	Valves	RING OF INDEX-K333	2-C300-RV-FL-HW-WCB
298	G1209	Valves	RING OF INDEX	8-C300-RV-BW-HW-WCB
299	G1211	Valves	SCALE OF INDEX-K333	2-C300-RV-FL-HW-WCB
300	G1212	Valves	SCALE OF INDEX	3-C300-RV-FL-HW-WCB
301	G1213	Valves	SCALE OF INDEX-2886	4-C300-RV-FL-HW-WCB
302	G1214	Valves	SCALE OF INDEX	6-C300-SV-BW-HW-WCB
303	G1215	Valves	SCALE OF INDEX-2925	8-C300-RV-BW-HW-WCB
304	G1244	Valves	Seat Ring Final Stellited	14-C150-GV-BW-GO-WCB
305	G1245	Valves	Seat Ring Final	14-C150-GV-WCB
306	G1246	Valves	Seat Ring Final	14-C300-GV-BW-MO-WC9/C12A
307	G1247	Valves	Seat Ring Final	14-C300-GV-FL-GO-CF8
308	G1248	Valves	Seat Ring Final Stellited	14-C300-GV-FL-GO-WCB
309	G1249	Valves	Seat Ring Final	14-C300-GV-FL-MO-WCB
310	G1250	Valves	Seat Ring Final Stellited	16-C150-GV-BW-MO-WCB
311	G1251	Valves	Seat Ring Final	16-C150-GV-WCB
312	G1254	Valves	Seat Ring Final Stellited	16-C400-GV-BW-GO-WCB
313	G1294	Valves	Seat Ring Final Stellite	4-C150-FV-CF8/CF8M
314	G1295	Valves	Seat Ring Final Stellite	4-C150-FV-FL-WCB
315	G1320	Valves	Seat Ring Final Stellite	6-C150-FV-BW-CF8/CF8M
316	G1321	Valves	Seat Ring Final	6-C150-FV-FL-CF8M
317	G1322	Valves	Seat Ring Final Stellite	6-C150-FV-BW-WCB
318	G1323	Valves	Seat Ring Final	6-C150-FV-FL-WCB
319	G2073	Valves	Seat Ring Final Stellite	24-C150-GV-BW-MO-WCB K902
320	G2074	Valves	Seat Ring Final	24-C150-GV-FL-MO-WCB
321	G2148	Valves	Seat Ring Final	22-C300-GV-BW-GO-WCB
322	G1374	Valves	SPIN. BOTTOM FL.-E407	4-C300-GV-BW-MO-WCB
323	G1376	Valves	SPINDLE EXTN TUBE-E467	4-C300-GV-BW-MO-WCB
324	G1377	Valves	SPINDLE EXTN UNIT-E074	12-C150-GV-FL-HW-WCB
325	G1378	Valves	SPINDLE EXTN UNIT-E332	6-C600-GV-BW-HW-WCB
326	G1379	Valves	SPINDLE EXTN UNIT-E456	10-C300-GV-BW-HW-WCB
327	G1380	Valves	SPINDLE TOP-E465	12-C150-GV-FL-HW-WCB
328	G1382	Valves	SPINDLE TOP-E474	4-C150-GV-FL-HW-WCB
329	G1383	Valves	SPINDLE EXTN TOP-E363	4-C300-GV-BW-MO-WCB
330	G1389	Valves	SPINDLE-E203	4-C150-GV-FL-HW-WCB
331	G1390	Valves	SPINDLE-E363	4-C300-GV-BW-MO-WCB
332	G1391	Valves	SPINDLE-E475	8-C600-GV-BW-GO-WCB
333	G1393	Valves	STAND ASSY	4-C300-GV-BW-MO-WCB
334	G1394	Valves	STAND ASSY-E460	12-C300-GV-BW-MO-WC9
335	G1395	Valves	STAND ASSY-E463	18-C150-GV-BW-GO-WCB
336	G1396	Valves	STAND BOTTOM FL.-E407	4-C300-GV-BW-MO-WCB
337	G1397	Valves	STAND TUBE-E456	10-C300-GV-BW-HW-WCB
338	G1399	Valves	STAND TUBE-E463	18-C150-GV-BW-GO-WCB
339	G1400	Valves	STAND TUBE-E467	4-C300-GV-BW-MO-WCB
340	G1413	Valves	STEM	14-C150-GV-WCB
341	G1414	Valves	STEM (with Hard Chrome Plating)	14-C300-GV-WC9
342	G1415	Valves	STEM	14-C300-GV-CF8
343	G1416	Valves	STEM	14-C300-GV-WCB
344	G1417	Valves	STEM	16-C150-GV-WCB
345	G1420	Valves	STEM	18-C150-GV-BW-GO-WCB
346	G1941	Valves	STEM	12-C600-GV-FL-CF8/WCB/WC9

347	G2057	Valves	STEM	20-C300-GV-BW-GO-WCB
348	G2058	Valves	STEM	20-C300-GV-BW-MO-WCB
349	G2080	Valves	STEM	24-C150-GV-FL-GO-WCB
350	G2081	Valves	STEM	24-C150-GV-BW-MO-WCB
351	G1479	Valves	STOPPER-B001	2-C600-GV-FL-HW-WC6
352	G1482	Valves	STRIKER PLATE-N209	3-C300-GV-FL-HW-WCB
353	G1485	Valves	STRIKER-E488	10-C300-GV-BW-HW-WCB
354	G1486	Valves	SUNK KEY-W057	16-C150-GV-FL-MO-WCB
355	G1487	Valves	SUPPORT BRACKET-E460	12-C300-GV-BW-MO-WC9
356	G1488	Valves	SUPPORT BRACKET-E463	18-C150-GV-BW-GO-WCB
357	G1489	Valves	SUPPORT BRACKET	4-C300-GV-BW-MO-WCB
358	G1490	Valves	SUPPORT PLATE-B676	8-C600-GV-FL-GO-WCB
359	G1491	Valves	SUPPORT PLATE-F742	6-C600-GV-FL-HW-WCB
360	G1492	Valves	SWITCH BRACKET-E471	16-C300-GV-BW-GO-WCB
361	G1493	Valves	SWITCH BRACKET-K325	12-C300-GV-BW-GO-WCB
362	G1496	Valves	THRUST BASE-E387	16-C300-GV-BW-GO-WCB
363	G1497	Valves	THRUST BASE-E363	4-C300-GV-BW-MO-WCB
364	G1498	Valves	THRUST BASE-E475	8-C600-GV-BW-GO-WCB
365	G1500	Valves	THRUST PLATE-P366	10-C300-RV-BW-MO-WCB
366	G1504	Valves	TIE ROD-A982	8-C150-GV-BW-HW-WCB
367	G1505	Valves	TIE ROD-A985	6-C150-GV-FL-HW-WCB
368	G1506	Valves	TOP COVER-1084	6-C150-GV-FL-MO-WCB
369	G1507	Valves	TOP COVER-B004	12-C150-GV-FL-MO-WCB
370	G1508	Valves	TOP FLANGE-E378	8-C600-GV-BW-GO-WCB
371	G1510	Valves	TOPCOVER-N795	6-C150-GV-FL-MO-WCB
372	G1511	Valves	TRIP ROD-P474	10-C300-RV-BW-GO-WCB
373	G1516	Valves	TUBE	16-C150-GV-FL-MO-WCB
374	G1519	Valves	TUBE	2-C300-GV-BW-HW-WCB
375	G1520	Valves	TUBE	2-C600-GV-FL-HW-WC6
376	G1522	Valves	TUBE	3-C600-GV-BW-HW-WCB
377	G1527	Valves	TUBE	6-C150-GV-BW-MO-WCB
378	G1529	Valves	TUBE	6-C300-RV-BW-MO-WCB
379	G1533	Valves	TUBE	8-C300-RV-BW-MO-WCB
380	G1534	Valves	UNIVERSAL JOINT-E095	4-C150-GV-FL-HW-WCB
381	G1535	Valves	VB6SPINDLE EXTN UNIT-E467	4-C300-GV-BW-MO-WCB
382	G1536	Valves	WASHER-S568	8-C300-GV-BW-HW-CF8M
383	G1537	Valves	WASHER-S605	6-C150-GV-FL-HW-WCB
384	G1538	Valves	WASHER-W057	16-C150-GV-FL-MO-WCB
385	G1550	Valves	YOKE BUSH NI RES-K386	2-C150-GV-BW-HW-WCB
386	G1551	Valves	YOKE BUSH-NI RES-N201	2-C150-GV-FL-HW-CF8
387	G1552	Valves	YOKE BUSH-NC02	2-C150-GV-FL-HW-WCB
388	G1553	Valves	YOKE BUSH-2880	2-C150-SV-FL-HW-CF8
389	G1555	Valves	YOKE BUSH-2477	2-C300-RV-FL-HW-WCB
390	G1556	Valves	YOKE BUSH-B001	2-C600-GV-FL-HW-WC6
391	G1557	Valves	YOKE BUSH-B101	2-C600-GV-FL-HW-WCB
392	G1559	Valves	YOKE BUSH-NI RESIST	2-C600-GV-FL-HW-WCB
393	G1561	Valves	YOKE BUSH-NC03	3-C150-GV-FL-HW-WCB
394	G1562	Valves	YOKE BUSH-2685	3-C300-RV-BW-HW-CF8M
395	G1564	Valves	YOKE BUSH-F602	3-C600-GV-BW-HW-WCB
396	G1568	Valves	YOKE BUSH-NC04	4-C150-GV-FL-HW-WCB

397	G1569	Valves	YOKE BUSH-N251	4-C300-GV-FL-HW-WCB
398	G1570	Valves	YOKE BUSH NI-RE-2690	4-C300-SV-BW-HW-WCB
399	G1571	Valves	YOKE BUSH-NI RES-N204	6-C150-GV-BW-HW-CF8M
400	G1572	Valves	YOKE BUSH-N218	6-C150-GV-FL-HW-WCB
401	G1574	Valves	YOKE BUSH-2883	6-C150-SV-FL-HW-CF8
402	G1576	Valves	YOKE BUSH NI-RE-2928	6-C300-SV-BW-HW-CF8M
403	G1577	Valves	YOKE BUSH-N009	8-C150-GV-FL-HW-WCB
404	G1578	Valves	YOKE BUSH-NC08	8-C150-GV-FL-HW-WCB
405	G1579	Valves	YOKE BUSH-NI RES-N205	8-C150-GV-FL-HW-WCB
406	G1580	Valves	YOKE BUSH NI RES-K387	8-C300-GV-BW-HW-WCB
407	G1582	Valves	YOKE BUSH-P338	8-C300-SV-FL-HW-WCB
408	G1583	Valves	YOKE BUSH-F608	8-C600-GV-BW-HW-WCB
409	G1777	Valves	YOKE BUSH-Z065	10-C300-FV-BW-WCB-NON SLAM
410	G1991	Valves	TUBE OF BYPASS-F546	10-C600-GV-FL-MO-WCB-BP
411	G2149	Valves	Seat Ring Rough	22-C300-GV-BW-GO-WCB
412	G2154	Valves	Back Seat Rough	22-C300-GV-BW-GO-WCB
413	G1765	Valves	Rib	16-C150-GV-FL-MO-WCB
414	G1767	Valves	GLAND ASSY-E465	12-C150-GV-FL-HW-WCB
415	G1768	Valves	GLAND ASSY-E474	4-C150-GV-FL-HW-WCB
416	G1776	Valves	SPINDLE-Z065	10-C300-FV-BW-WCB-NON SLAM
417	G1778	Valves	LEVER-Z065	10-C300-FV-BW-WCB-NON SLAM
418	G1779	Valves	CONNECTOR-Z065	10-C300-FV-BW-WCB-NON SLAM
419	G1780	Valves	PRALLEL KEY-Z065	10-C300-FV-BW-WCB-NON SLAM
420	G1828	Valves	STUD-5402	10-C150-GV-BW-MO-WCB
421	G1829	Valves	STUB-1123	10-C150-GV-FL-MO-WCB
422	G1830	Valves	STUB-1130	10-C300-GV-FL-GO-WCB
423	G1831	Valves	STUD-E159	12-C150-GV-FL-HW-WCB
424	G1832	Valves	STUD-N204	2-C300-GV-BW-HW-WCB
425	G1833	Valves	STUD-N204	2-C600-GV-FL-HW-WC9
426	G1834	Valves	STUD-K247	3-C600-GV-FL-HW-WCB
427	G1835	Valves	STUD-K248	4-C600-GV-FL-HW-WCB
428	G1836	Valves	STUB-1708	8-C150-GV-BW-MO-WCB
429	G1837	Valves	STUD-5618	8-C150-GV-FL-MO-WCB
430	G1838	Valves	STUD-B023	8-C300-FV-BW-WC9
431	G1839	Valves	SW FLANGE 2/300-A941	2-C300-SV-FL-HW-WCB
432	G1840	Valves	SW FLANGE 3/150-A942	3-C150-GV-FL-HW-WCB
433	G1841	Valves	SW FLANGE 3/300-A943	3-C300-RV-FL-MO-WCB
434	G1842	Valves	GLAND PIN-2880	2-C150-SV-FL-HW-CF8
435	G1843	Valves	GLAND PIN-2883	6-C150-SV-FL-HW-CF8
436	G1844	Valves	INDICATOR PIN-B007	2-C600-GV-FL-HW-WC6
437	G1845	Valves	INDICATOR PIN-E332	6-C600-GV-BW-HW-WCB
438	G1846	Valves	INDICATOR PIN-E471	16-C300-GV-BW-GO-WCB
439	G1847	Valves	INDICATOR STUD-C434	16-C300-GV-BW-MO-WCB
440	G1848	Valves	INDICATOR STUD-B002	2-C600-GV-FL-HW-WC6
441	G1849	Valves	INDICATOR STUD-2922	4-C300-SV-BW-MO-WCB
442	G1850	Valves	INDICATOR STUD-2893	6-C300-SV-FL-MO-WCB
443	G1851	Valves	INT.FLANGE-NC51	12-C150-GV-FL-GO-WCB
444	G1852	Valves	INT.FLANGE-K982	12-C150-GV-FL-MO-WCB
445	G1853	Valves	INT.FLANGE-E423	16-C150-GV-FL-MO-WCB
446	G1854	Valves	INT.FLANGE-E471	16-C300-GV-BW-GO-WCB

447	G1855	Valves	INT.FLANGE-E363	4-C300-GV-BW-MO-WCB
448	G1856	Valves	INT.FLANGE-F503	4-C600-GV-BW-MO-WCB
449	G1857	Valves	INT.FLANGE-K981	8-C150-GV-FL-MO-WCB
450	G1858	Valves	INT.FLANGE-E475	8-C600-GV-BW-GO-WCB
451	G1859	Valves	INT. FLANGE-F508	8-C600-GV-RTJ-HW-WC6
452	G1860	Valves	LIMIT SWITCH PIN-P474	10-C300-RV-BW-GO-WCB
453	G1861	Valves	LOCK NUT-N206	10-C150-GV-FL-HW-WCB
454	G1862	Valves	LOCK NUT-N207	12-C150-GV-FL-HW-WCB
455	G1863	Valves	LOCK NUT-N204	6-C150-GV-FL-HW-WCB
456	G1864	Valves	LOCK NUT-N205	8-C150-GV-FL-HW-WCB
457	G1865	Valves	SSW FLANGE-A857	2-C300-SV-FL-HW-CF8
458	G1866	Valves	SSW FLANGE-A858	3-C300-RV-FL-MO-CF8
459	G1868	Valves	PIN-E117	8-C150-GV-FL-HW-WCB
460	G1869	Valves	TUBE-E052	6-C150-GV-FL-HW-WCB
461	G1870	Valves	CONN TUBE-E487	6-C150-GV-FL-HW-WCB
462	G1871	Valves	MOUNTING BRACKET-E488	10-C300-GV-BW-HW-WCB
463	G1872	Valves	CONN TUBE -E488	10-C300-GV-BW-HW-WCB
464	G1898	Valves	COVER-Z021	20-150-WCB-BW-FV
465	G1938	Valves	TUBE OF BYPASS-F510	12-C600-GV-FL-GO-CF8-BP
466	G1954	Valves	TUBE-1782	12-C600-GV-FL-MO-WCB-BP
467	G1958	Valves	WEDGE MATCHING WITH BODY	18"-1500 GV WCB
468	G1959	Valves	WEDGE MATCHING WITH BODY	20"-150 GV WCB
469	G1960	Valves	WEDGE MATCHING WITH BODY	20"-300-GV-WCB
470	G1961	Valves	WEDGE MATCHING WITH BODY	24"-150 GV WCB
471	G1969	Valves	DISC NUT-L802 (FLAP NUT)	14-300-WCB-BW-FV
472	G1982	Valves	INDICATOR ARRANGEMENT-F509	10-C600-GV-BW-HW-WCB
473	G1983	Valves	INDICATOR ARRGT.-F506	10-C600-GV-BW-GO-WCB-SG
474	G1987	Valves	SPACER-F506	10-C600-GV-FL-MO-WCB-BP
475	G1995	Valves	CAP ASSEMBLY-N972	14-C150-GV-FL-MO-WCB
476	G1997	Valves	CAP TUBE-N972	14-C150-GV-FL-MO-WCB
477	G2000	Valves	DISC NUT-L705	16-300SPL-WCB-BW-FV
478	G2001	Valves	KNOCK PIN D16X25-Z029	16-300SPL-WCB-BW-FV
479	G2009	Valves	KNOCK PIN D16X27-L805	20-150-WCB-BW-FV
480	G2010	Valves	KNOCK PIN D16X27-L805	20-150-WCB-BW-FV
481	G2011	Valves	LUG-Z021	20-150-WCB-BW-FV
482	G2023	Valves	CAP ASSEMBLY-N231	20-C150-GV-BW-GO-WCB-BP
483	G2024	Valves	CAP ASSEMBLY-N579	20-C150-GV-BW-MO-WCB-SG
484	G2025	Valves	CAP TUBE-N231	20-C150-GV-BW-GO-WCB-BP
485	G2026	Valves	CAP TUBE-N579	20-C150-GV-BW-MO-WCB-SG
486	G2030	Valves	INDICATOR RING-N224	20-C150-GV-FL-GO-WCB
487	G2032	Valves	S G PLUG-N370	20-C150-GV-BW-MO-WCB-SG
488	G2040	Valves	TUBE-1780	20-C150-GV-BW-MO-WCB-SG
489	G2046	Valves	BRACKET-C364	20-C300-GV-FL-GO-WCB-BP
490	G2066	Valves	COVER-1083	24-C150-GV-BW-MO-WCB-SG
491	G2069	Valves	INDICATOR RING-1757	24-C150-GV-FL-GO-WCB
492	G2070	Valves	INDICATOR STUD M20X210 -N722	24-C150-GV-FL-GO-WCB
493	G2078	Valves	SPACER-N705	24-C150-GV-BW-MO-WCB-SG
494	G2079	Valves	SPACER-N799	24-C150-GV-BW-MO-WCB
495	G2082	Valves	STUD M20X140 -N436	24-C150-GV-FL-GO-WCB
496	G2093	Valves	WEDGE MATCHING WITH BODY	2-150 GV

497	G2094	Valves	WEDGE MATCHING WITH BODY	2-300 GV
498	G2095	Valves	WEDGE MATCHING WITH BODY	3-150 GV
499	G2096	Valves	WEDGE MATCHING WITH BODY	3-300 GV
500	G2097	Valves	WEDGE MATCHING WITH BODY	4-150 GV
501	G2098	Valves	WEDGE MATCHING WITH BODY	4-300 GV
502	G2099	Valves	WEDGE MATCHING WITH BODY	6-150 GV
503	G2100	Valves	WEDGE MATCHING WITH BODY	6-300 GV
504	G2102	Valves	BODY ASSY WITH WEDGE 3-150 GV BW	3-150 GV BW WCB
505	G2103	Valves	BODY ASSY WITH WEDGE 3-150 GV FL	3-150 GV FL WCB
506	G2104	Valves	BODY ASSY WITH WEDGE 3-300 GV BW	3-C300-GV-BW-HW-WCB
507	G2105	Valves	BODY ASSY WITH WEDGE 3-300 GV FL	3-C300-GV-FL-HW-WCB
508	G2106	Valves	BODY ASSY WITH WEDGE 4-150 GV BW	4-C150-GV-BW-HW-WCB
509	G2107	Valves	BODY ASSY WITH WEDGE 4-150 GV FL	4-C150-GV-FL-WCB
510	G2108	Valves	BODY ASSY WITH WEDGE 4-300 GV BW	4-C300-GV-BW-HW-WCB
511	G2109	Valves	BODY ASSY WITH WEDGE 4-300 GV FL	4-C300-GV-FL-HW-WCB
512	G2110	Valves	BODY ASSY WITH WEDGE 6-150 GV FL	6-C150-GV-FL-HW-WCB
513	G2111	Valves	BODY ASSY WITH WEDGE 6-150 GV BW	6-C150-GV-BW-HW-WCB
514	G2114	Valves	HUB-E489	4-C300-RV-BW-MO-WCB
515	G2116	Valves	TUBE-E352	4-C300-RV-BW-MO-WCB
516	G2117	Valves	BUSH-P408	4-C300-RV-BW-HW-CF8M
517	G2118	Valves	LEVER-P408	4-C300-RV-BW-HW-CF8M
518	G2119	Valves	BUSH (STEM)-P408	4-C300-RV-BW-HW-CF8M
519	G2120	Valves	NUT-P408	3-C300-RV-BW-HW-CF8M
520	G2121	Valves	BOTTOM PLATE-P408	3-C300-RV-BW-HW-CF8M
521	G2122	Valves	RIB-P408	3-C300-RV-BW-HW-CF8M
522	G2123	Valves	NUT	4" 150 FV WCB
523	G2126	Valves	TOP FLANGE	10-C300-GV-BW-HW-WCB
524	G2131	Valves	Test Collar Machining	10" 300 RV Test Collar Machining
525	G2132	Valves	Test Collar Machining	14" 300 FV Test Collar Machining
526	G2136	Valves	DISC -L804	24-C150-FV-BW-WCB
527	G2137	Valves	DISC ROUGH-L804	24-C150-FV-BW-WCB
528	G2140	Valves	DISC NUT-L804	24-C150-FV-BW-WCB
529	G2143	Valves	LUG 24"/150-L804	24-C150-FV-BW-WCB
530	G2144	Valves	BONNET TOP-L804	24-C150-FV-BW-WCB
531	G2162	Valves	COVER TUBE-NG12	22-C300-GV-BW-GO-WCB
532	G2163	Valves	CAP PLATE-W004	22-C300-GV-BW-GO-WCB
533	G2163b	Valves	CAP PLATE-W004	16/18-C300-GV-BW-GO-WCB
534	G2164	Valves	PIN-N398	22-C300-GV-BW-GO-WCB
535	G2251	Valves	STEM-E495 Extension Spindle	24-C150-GV-GO-WCB
536	G2252	Valves	Seat Ring Lapping	upto 4"
537	G2253	Valves	Sleeve ABG 25.1	10-C300-RV-WCB
538	G2264	Valves	Seat Ring Final (stellite)	12-C300-RV-BW-MO-WCB
539	G2264a	Valves	Seat Ring Final (stellite)	12-C300-RV-BW-MO-CF8M
540	G2266	Valves	Disc Final	12-C300-RV-BW-MO-WCB
541	G2266a	Valves	Disc Final	12-C300-RV-BW-MOCF8M
542	G2267	Valves	Disc Rough	12-C300-RV-BW-GO-WCB
543	G2268	Valves	Disc Nut	12-C300-RV-BW-MO-WCB
544	G2268a	Valves	Disc Nut	12-C300-RV-BW-MO-CF8M
545	G2269	Valves	Back Seat Final	12-C300-RV-BW-MO-WCB
546	G2270	Valves	Back Seat Rough	12-C300-RV-BW-MO-WCB

547	G2271	Valves	Disk Guide Rod	12-C300-RV-BW-MO-WCB
548	G2273	Valves	Gland Follower	12-C300-RV-BW-MO-WCB
549	G2274	Valves	Stopper	12-C300-RV-BW-MO-WCB
550	G2275	Valves	Sunk Key	12-C300-RV-BW-MO-WCB
551	G2292	Valves	Seat Ring Rough	10-C300-RV-CF8M
552	G2292a	Valves	Seat Ring Rough	10-C300-RV-WCB
553	G2299	Valves	Top Flange	16-C150-GV-WCB
554	G2300	Valves	Seat Ring Final Stellite	20-C150-FV-WCB
555	G2301	Valves	Flap Final Stellite	16-C300-FV-WCB
556	G2397	Valves	Body Machining	24-C150-FV-FL-WCB/CF8M
557	G2397a	Valves	Body Machining	24-C150-FV-FL-WCB/CF8M
558	G2398	Valves	Flap Final	24-C150-FV-FL-WCB
559	G2398a	Valves	Flap Final	24-C150-FV-FL-CF8M
560	G2400	Valves	Seat Ring Final	24-C150-FV-FL-WCB
561	G2400a	Valves	Seat Ring Final	24-C150-FV-FL-CF8M
562	G2402	Valves	SCREW PLUG M56X2-5107	24-C150-FV-FL-WCB
563	G2403	Valves	BOLT-5192	24-C150-FV-FL-WCB
564	G2403a	Valves	BOLT-Z094	24-C150-FV-FL-CF8M
565	G2435	Valves	LOCK HOOK-W789	20-C300-GV-BW-GO-WCB
566	G2437	Valves	Body Machining	10-C300-GV-FL NC
567	G2438	Valves	Disk Rough	12-C300-SV-WCB
568	G2439	Valves	Disk Final	12-C300-SV-WCB
569	G2440	Valves	Seat Ring Rough	16-C600-RV-WCB
570	G2441	Valves	COMPANION FLANGE AS-40276900	
571	G2442	Valves	SLEEVE TUBE A=243	
572	G2444	Valves	SPACER-N202	3-C150-GV-WCB/CF8M
573	G2445	Valves	SPACER-N203	4-C150-GV-WCB/CF8M
574	G2446	Valves	SPACER-N204	6-C150-GV-WCB/CF8M
575	G2447	Valves	SPACER-N212	8-C300-GV-WCB/CF8M
576	G2448	Valves	SPACER-N213	10-C300-GV-WCB/CF8M
577	G2449	Valves	Disc Nut	16-C150-FV-FL-WCB
578	G2450	Valves	Body Machining	26-C300-GV-BW-WCB
579	G2451	Valves	Wedge Rough	26-C300-GV-BW-WCB
580	G2452	Valves	Bonnet Machining	26-C300-GV-BW-WCB
581	G2453	Valves	Yoke Machining	26-C300-GV-BW-WCB
582	G2454	Valves	Lantern Ring	10-C300-RV-CF8M
583	G2456	Valves	Body Machining	14-C300-FV-BW-CF8M
584	G2457	Valves	Seat Ring	14-C300-FV-BW-CF8M
585	G2458	Valves	Flap Final	14-C300-FV-BW-CF8M
586	G2461	Valves	Body Machining	16-C150-FV-FL-WCB
587	G2462	Valves	Cover	16-C150-FV-FL-WCB
588	G2463	Valves	ARM ASSY	16-C150-FV-FL-WCB
589	G2464	Valves	Flap Final	16-C150-FV-FL-WCB
590	G2465	Valves	Flap Rough	16-C150-FV-FL-WCB
591	G2466	Valves	Hinge Pin	16-C150-FV-FL-WCB
592	G2467	Valves	Bottom Flange	12-C150-GV-WCB
593	G2468	Valves	Cover	14-C300-FV-BW-CF8M
594	G2472	Valves	Yoke Machining	32-C150-GV-MO-WCB
595	G2473	Valves	Body Machining	32-C150-GV-BW-WCB
596	G2474	Valves	Nut	24-C150-FV-WCB

597	G2486	Valves	Body Machining	20-C150-FV-FL-WCB
598	G2488	Valves	Disk Rough Stellite	2-C300-RV-CF8M
599	G2489	Valves	Lock Plate	4-C300-RV-CF8M
600	G2490	Valves	Seat Ring Rough	26-C300-GV-BW-WCB
601	G2491	Valves	Seat Ring Rough	32-C150-GV-BW-WCB
602	G2492	Valves	Disk Rough	2-C300-SV-WC6
603	G2350	New HM	Body Machining	14-C600-RV-BW-WCB/WCC/WC9/C12A
604	G2355	New HM	Disk Final	16-C600-RV-BW-WCB/WCC/WC9/C12A
605	G2358	New HM	Disk Rough	16-C600-RV-BW-WCB/WCC/WC9/C12A
606	G2359	New HM	Disk Nut	14-C600-RV-BW-WCB/WCC/WC9/C12A
607	G2360	New HM	Disk Nut	16-C300-RV-BW-WCB/WCC/WC9/C12A
608	G2361	New HM	Disk Nut	16-C600-RV-BW-WCB/WCC/WC9/C12A
609	G2362	New HM	Seat Ring Final	14-C600-RV-BW-WCB/WCC/WC9/C12A
610	G2364	New HM	Seat Ring Final	16-C600-RV-BW-WCB/WCC/WC9/C12A
611	G2365	New HM	Stem	14-C600-RV-MO-WCB/WCC/WC9/C12A
612	G2367	New HM	Stem	16-C600-RV-MO-WCB/WCC/WC9/C12A
613	G2368	New HM	Gland Flange	14-C600-RV-BW-WCB/WCC/WC9/C12A
614	G2369	New HM	Gland Flange	16-C300-RV-BW-WCB/WCC/WC9/C12A
615	G2370	New HM	Gland Flange	16-C600-RV-BW-WCB/WCC/WC9/C12A
616	G2371	New HM	Key	14-C600-RV-BW-WCB/WCC/WC9/C12A
617	G2372	New HM	Key	16-C600-RV-BW-WCB/WCC/WC9/C12A
618	G2373	New HM	Stopper	14-C600-RV-BW-WCB/WCC/WC9/C12A
619	G2374	New HM	Stopper	16-C300-RV-BW-WCB/WCC/WC9/C12A
620	G2375	New HM	Stopper	16-C600-RV-BW-WCB/WCC/WC9/C12A
621	G2376	New HM	Sunk Key	16-C300-RV-BW-WCB/WCC/WC9/C12A
622	G2377	New HM	Yoke Machining	14-C600-RV-BW-WCB/WCC/WC9/C12A
623	G2405	New HM	SEATRING ROUGH-NH50	14-C600-RV-WCB
624	G2497	HM	SCREW PLUG M56X3-U581	24-C150-FV-FL-CF8M