

# **TENDER SPECIFICATION**

**NO: BHE/PW/PUR/RGMT-ENB SHED/1625**

**Job:** Foundation work up to finished floor level (FFL) with its Electrification works for 6 Nos of closed PEB sheds (60 Mtr x 15Mtr)

**AT**

**2x800 MW NTPC Ramagundam STPP, Karimnagar Telangana**

## **Volume 1 E – Drawing**

**TENDER SPECIFICATIONS CONSISTS OF:**

- Notice Inviting Tender
- Volume 1 A - Technical Conditions of Contract,
- Volume 1 B - Special conditions of Contract,
- Volume 1 C - General conditions of Contract
- Volume 1 D - Forms & Procedures
- Volume 1 E – Drawing
- Volume II- Price Bid



**Bharat Heavy Electricals Limited**

*(A Government of India Undertaking)*

Power Sector - Western Region

345-Kingsway, Nagpur-440001

**TENDER SPECIFICATION**

**NO: BHE/PW/PUR/RGMT-ENB SHED/1625**

**Job:** Foundation work up to finished floor level (FFL) with its Electrification works for 6 Nos of closed PEB sheds (60 Mtr x 15Mtr) at 2x800 MW NTPC Ramagundam STPP, Karimnagar Telangana

EARNEST MONEY DEPOSIT: Refer Notice Inviting Tender

LAST DATE FOR TENDER SUBMISSION: Refer Notice Inviting Tender

THESE TENDER SPECIFICATION DOCUMENTS CONTAINING VOLUME-I AND VOLUME- II ARE ISSUED TO:

M/s. ....

.....

PLEASE NOTE:

THESE TENDER SPECS DOCUMENTS ARE NOT TRANSFERABLE.

For Bharat Heavy Electricals Limited

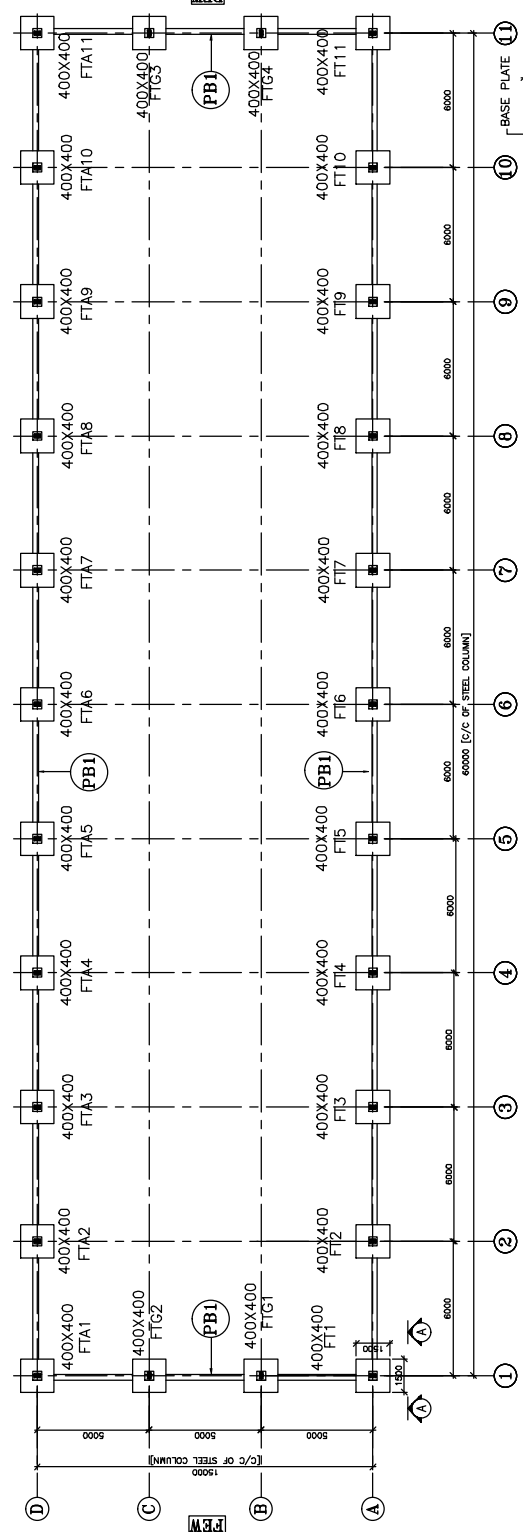
AGM (Purchase)

Place: Nagpur

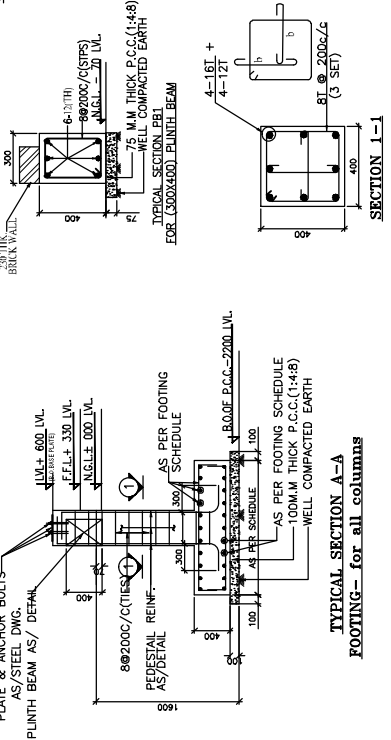
Date

THE INFORMATION ON THIS DOCUMENT IS THE PROPERTY OF NEW LIFE STEEL STRUCTURES. IT MUST NOT BE USED DIRECTLY OR INDIRECTLY IN ANY WAY DETRIMENTAL TO THE INTEREST OF THE COMPANY.

NSW

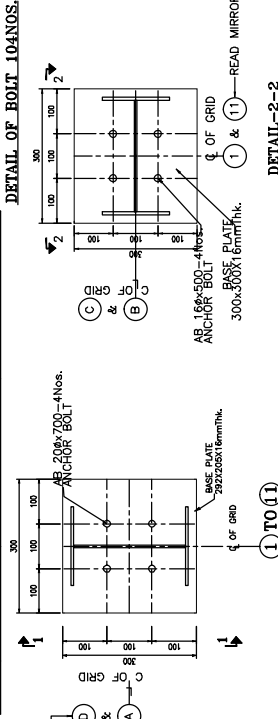


**COLUMN LAY OUT & FOUNDATION PLAN OF CLOSED SHED**



**TYPICAL SECTION A-A FOOTING - for all columns**

SR/NO.	FOOTING SIZE	REINFORCEMENT	TOP REINP.	BOTTOM REINP.
F1	1500x1500	10@200 C/C BOTHWAYS	12@200 C/C BOTHWAYS	



**DETAIL OF BOLT 10ANOS.**

IF ANY DOUBT ASK. STAMP AND SIGN

NOTE:- PLEASE REFER DWG.NOS. FT/POR(rev)-02 FOR DIRECTION OF F. BOLTS & BASE PLATE

ANY DISCREPANCY IF THERE SHOULD BE BROUGHT TO OUR NOTICE BEFORE EXECUTION USE M-20 GRADE CONCRETE

FIGURE-001

SITE COMMANDING FOR ALL SHEDS

DATE 25.01.11

SCALE 1:1

REMARK

NEW LIFE STEEL STRUCTURES

Local: 883324000

**NOTES**

1. ALL DIMENSIONS ARE IN MILLIMETERS & ALL UNITS ARE IN METRIC UNLESS OTHERWISE SPECIFIED.
2. ALL DIMENSIONS ARE TO FACE UNLESS OTHERWISE SPECIFIED.
3. ALL DIMENSIONS ARE TO FACE UNLESS OTHERWISE SPECIFIED.
4. ALL DIMENSIONS ARE TO FACE UNLESS OTHERWISE SPECIFIED.
5. ALL DIMENSIONS ARE TO FACE UNLESS OTHERWISE SPECIFIED.
6. ALL DIMENSIONS ARE TO FACE UNLESS OTHERWISE SPECIFIED.
7. ALL DIMENSIONS ARE TO FACE UNLESS OTHERWISE SPECIFIED.
8. ALL DIMENSIONS ARE TO FACE UNLESS OTHERWISE SPECIFIED.
9. ALL DIMENSIONS ARE TO FACE UNLESS OTHERWISE SPECIFIED.
10. ALL DIMENSIONS ARE TO FACE UNLESS OTHERWISE SPECIFIED.
11. ALL DIMENSIONS ARE TO FACE UNLESS OTHERWISE SPECIFIED.
12. ALL DIMENSIONS ARE TO FACE UNLESS OTHERWISE SPECIFIED.

**LEGEND**

- 1. UN-DEVELOPMENT LENGTH
- 2. TOP OF STEEL COLUMN
- 3. TOP OF STEEL COLUMN
- 4. TOP OF STEEL COLUMN
- 5. TOP OF STEEL COLUMN
- 6. TOP OF STEEL COLUMN
- 7. TOP OF STEEL COLUMN
- 8. TOP OF STEEL COLUMN
- 9. TOP OF STEEL COLUMN
- 10. TOP OF STEEL COLUMN
- 11. TOP OF STEEL COLUMN
- 12. TOP OF STEEL COLUMN

**REINFORCEMENT**

- 1. 400X400
- 2. 400X400
- 3. 400X400
- 4. 400X400
- 5. 400X400
- 6. 400X400
- 7. 400X400
- 8. 400X400
- 9. 400X400
- 10. 400X400
- 11. 400X400
- 12. 400X400

**LAPS**

- 1. 400X400
- 2. 400X400
- 3. 400X400
- 4. 400X400
- 5. 400X400
- 6. 400X400
- 7. 400X400
- 8. 400X400
- 9. 400X400
- 10. 400X400
- 11. 400X400
- 12. 400X400

**REINFORCEMENT**

- 1. 400X400
- 2. 400X400
- 3. 400X400
- 4. 400X400
- 5. 400X400
- 6. 400X400
- 7. 400X400
- 8. 400X400
- 9. 400X400
- 10. 400X400
- 11. 400X400
- 12. 400X400

**REINFORCEMENT**

- 1. 400X400
- 2. 400X400
- 3. 400X400
- 4. 400X400
- 5. 400X400
- 6. 400X400
- 7. 400X400
- 8. 400X400
- 9. 400X400
- 10. 400X400
- 11. 400X400
- 12. 400X400

**REINFORCEMENT**

- 1. 400X400
- 2. 400X400
- 3. 400X400
- 4. 400X400
- 5. 400X400
- 6. 400X400
- 7. 400X400
- 8. 400X400
- 9. 400X400
- 10. 400X400
- 11. 400X400
- 12. 400X400

**REINFORCEMENT**

- 1. 400X400
- 2. 400X400
- 3. 400X400
- 4. 400X400
- 5. 400X400
- 6. 400X400
- 7. 400X400
- 8. 400X400
- 9. 400X400
- 10. 400X400
- 11. 400X400
- 12. 400X400

**REINFORCEMENT**

- 1. 400X400
- 2. 400X400
- 3. 400X400
- 4. 400X400
- 5. 400X400
- 6. 400X400
- 7. 400X400
- 8. 400X400
- 9. 400X400
- 10. 400X400
- 11. 400X400
- 12. 400X400

**REINFORCEMENT**

- 1. 400X400
- 2. 400X400
- 3. 400X400
- 4. 400X400
- 5. 400X400
- 6. 400X400
- 7. 400X400
- 8. 400X400
- 9. 400X400
- 10. 400X400
- 11. 400X400
- 12. 400X400

**REINFORCEMENT**

- 1. 400X400
- 2. 400X400
- 3. 400X400
- 4. 400X400
- 5. 400X400
- 6. 400X400
- 7. 400X400
- 8. 400X400
- 9. 400X400
- 10. 400X400
- 11. 400X400
- 12. 400X400

NO.	ISSUED FOR APPROVAL	DATE	DRAWN	CHECKED	AMOUNT	DATE	FILE	SHEET	OF
1		25.01.11							