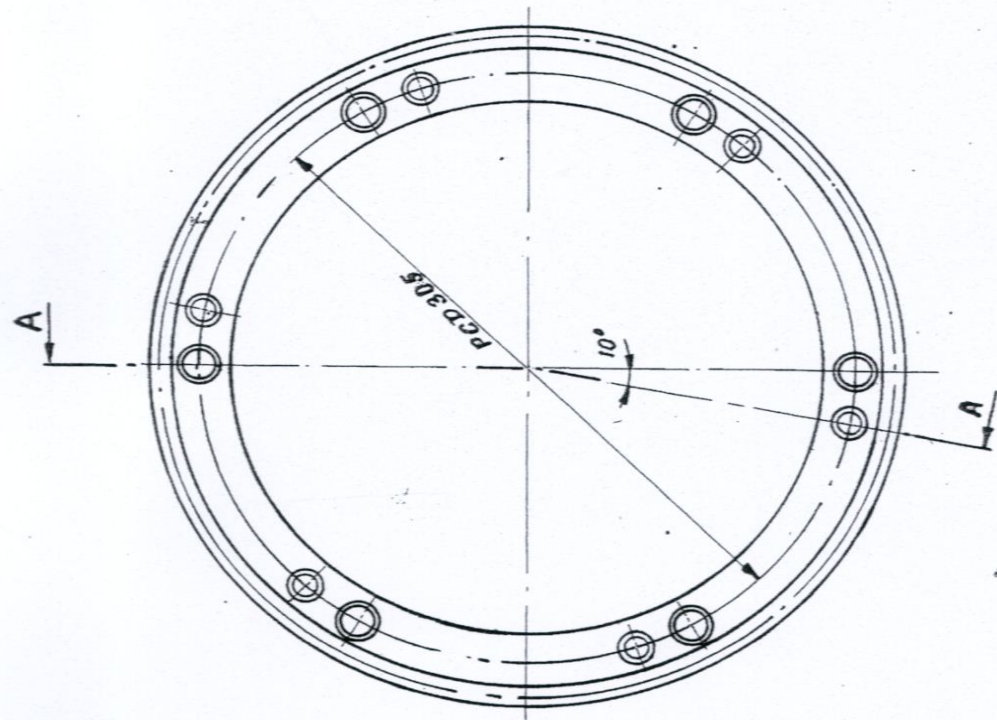


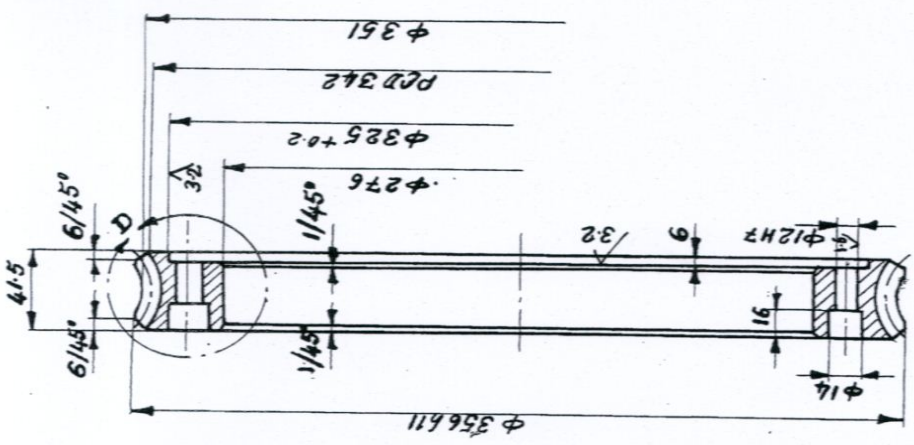
32 16

$\phi 356.11$	-0.000
	+0.360
$\phi 12 H 7$	+P.018
	+P.000

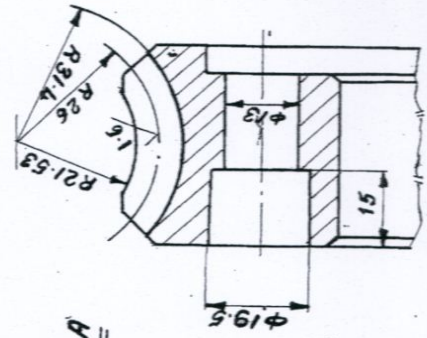


NO. OF TEETH	76
MODULE	4.5
PRESSURE ANGLE	15°
HELIX ANGLE	4° 56'
HAND OF HELIX	RH
WHOLE DEPTH	9.86
MATING WORM NO. OF STARTS	1
MATING WORM DRG. NO.	3-RS-1405
CENTRE DISTANCE	197

CODE NO: 8944549020.



SECTION AA



DETAIL 'D'  
SCALE 1:1

IS: 7811	PH. BRONZE	2-RS-0480	7
SEMI PRODUCT	FINAL MATERIAL	DRAWING NO.	ITEM
PROJECT	RADIAL DRILLING M/C		
DRAWN BY	MECHANICAL		
CHECKED			
STANDARD			
PRODUCT			
DATE	16-1-75		
TYPE	WORM		
REV	01		
NORM W. EL. 356/76T		3-RS-1412	
HYDERABAD		2252/36/72	

Signature: M. S. RAO  
Date: 03/06/16  
Material: PH. BRONZE  
Drawing No: 2-RS-0480  
Item: 7